

Datasheet - BPS 260-2

Safety sensors / BNS 260 / Actuator / BPS 260



- Actuator 90° attached to the sensor

(Minor differences between the printed image and the original product may exist!)

Ordering details

Product type description	BPS 260-2
Article number	1184396
EAN code	4030661321943

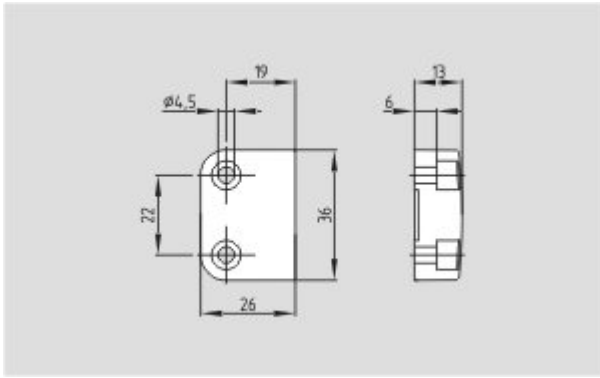
Global Properties

Product name	Magnet
Materials	
- Material of the housings	Plastic
Weight	13.5 g

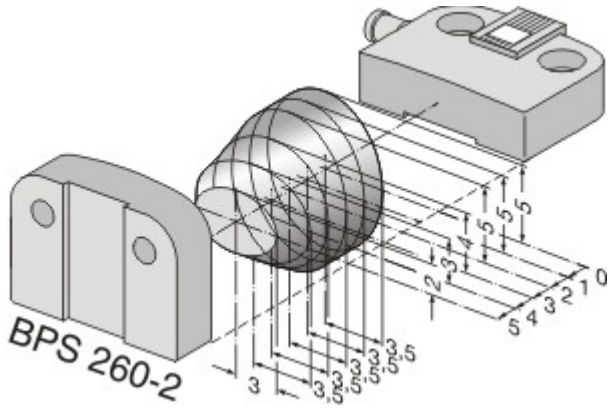
Dimensions

Dimensions of the actuators	
- Width of the actuator	26 mm
- Height of the actuator	36 mm
- Length of the actuator	13 mm

Images



Dimensional drawing (miscellaneous)



Characteristic curve

K.A. Schmersal GmbH, Möddinghofe 30, D-42279 Wuppertal
The data and values have been checked thoroughly. Technical modifications and errors excepted.
Generiert am 21.04.2011 - 15:04:53h Kasbase 1.4.7 DBI