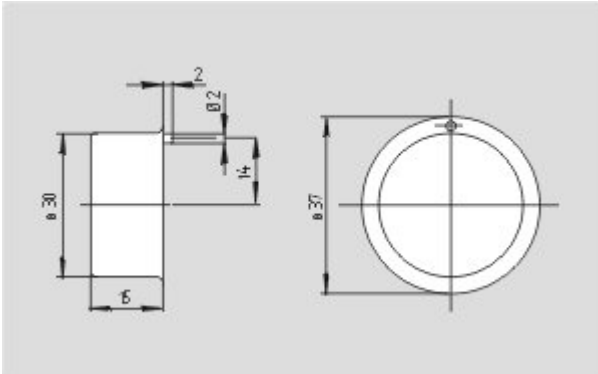


Datasheet - BPS 303

Safety sensors / BNS 303 / Actuator



• Suitable for food processing industry

(Minor differences between the printed image and the original product may exist!)

Ordering details

Product type description	BPS 303
Article number	1117076
EAN code	4030661023878

Global Properties

Product name	Magnet
Materials	
- Material of the housings	Plastic
Weight	32 g

Dimensions

Dimensions of the actuators	
- Width of the actuator	15 mm
- Diameter of the actuator	37 mm

Included in delivery

tamperproof screws	1 piece
--------------------	---------

Images