

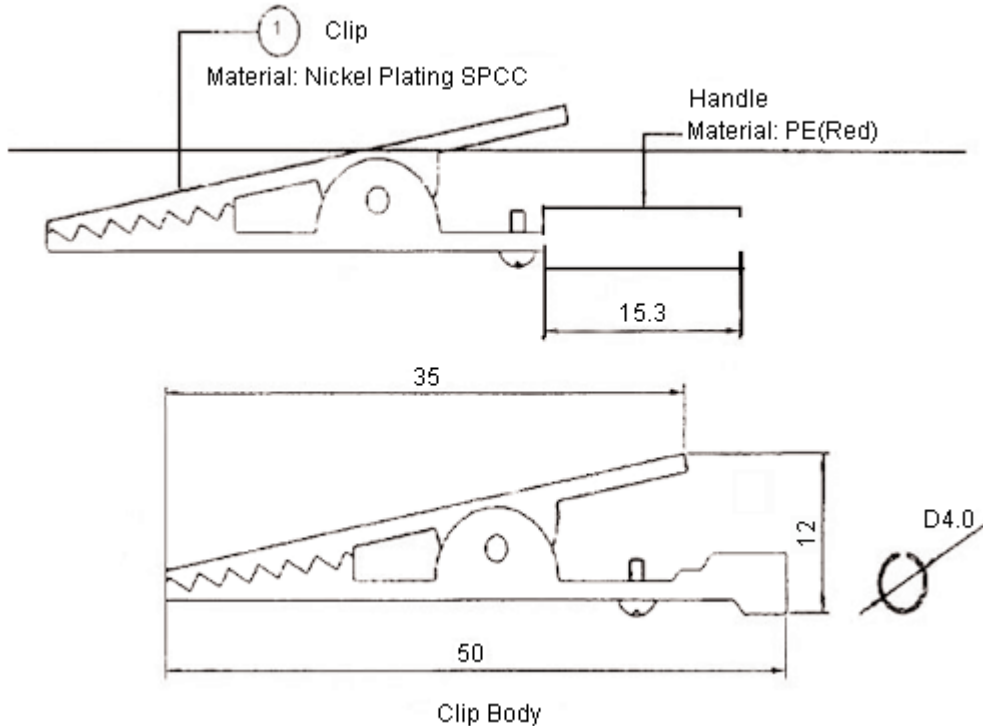


ALL RIGHT RESERVED NO PORTION OF THIS PUBLICATION, WHETHER IN WHOLE OR IN PART CAN REPRODUCED WITHOUT THE EXPRESS WRITTEN COMSENT OF SPC TECHNOLOGY

SPC-F005.DWG

REVISIONS

DCP #	REV	DESCRIPTION	DRAWN	DATE	CHECKD	DATE	APPRVD	DATE
2022	A	RELEASED	ASK	30/4/11	JAG	30/4/11	Farnell	07/5/11



Dimensions : Millimetres

Part Number Table

Description	Part Number
Alligator Clip	SPC12019

DISCLAIMER : ALL STATEMENTS AND TECHNICAL INFORMATION CONTAINED HEREIN ARE BASED UPON INFORMATION AND/OR TESTS WE BELIEVE TO BE ACCURATE AND RELIABLE. SINCE CONDITIONS OF USE ARE BEYOND OUT CONTROL.THE USER SHALL DETERMINE THE SUITABILITY OF THE PRODUCT FOR THE INTENDED USE AND ASSUME ALL RISK AND LIABILITY WHATSOEVER IN CONNECTION THEREWITH.

TOLERANCES: UNLESS OTHERWISE SPECIFIED, DIMENSIONS ARE FOR REFERENCE PURPOSES ONLY.

DRAWN BY:	DATE:
ASK	30/04/11
CHECKED BY:	DATE:
JAG	30/04/11
APPROVED BY:	DATE:
Farnell	07/05/11

DRAWING TITLE:			
<b>Alligator Clip</b>			
SIZE	DWG NO.	ELECTRONIC FILE	REV
A	95C0287	SPC12019	A
U.O.M.: mm		SHEET: <1> OF 1	