

PANEL MOUNTED "IN LINE" FLOW REGULATORS**FLUID :**

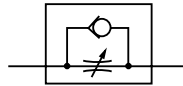
Air or neutral gas, filtered, lubricated or not

OPERATING PRESSURE : 1 to 10 bar**TEMPERATURE :** - 10° C, + 60° C**CONSTRUCTION :**

Body in aluminium

Seals in nitrile (NBR)

Connection Ø	CODES
Ø M5	346 02 010
G 1/8	346 02 152
G 1/4	346 02 153
G 3/8	346 02 154
G 1/2	346 02 155
G 3/4	346 00 156

**BANJO FLOW REGULATOR, ADAPTABLE ON CYLINDER****FLUID :**

Air or neutral gas, filtered, lubricated or not

OPERATING PRESSURE : 1 to 10 bar**TEMPERATURE :** 0° C, + 70° C

Banjo connection for **direct** fitting to cylinder port for simple, compact installation.

Version (B) with a recessed adjustment screw is an even more compact design. It offers the additional advantage of preventing inadvertent loss of flow adjustment. Can be locked with a spot of varnish.

CONSTRUCTION :

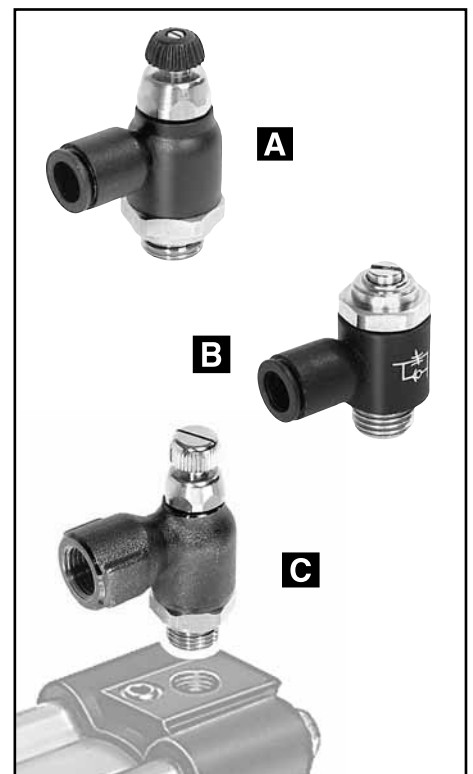
Body in polymer (A - B)

or brass treated (version C)

Screw, lock-nut, subbase in brass

Seals in nitrile (NBR)

Installation Ø	Ø connection by instant fittings	CODES
A Plastic body, adjustable by button/screw		
Ø M5	Ø 4 mm ext.	346 02 188
G 1/8	Ø 4 mm ext.	346 02 221
G 1/8	Ø 6 mm ext.	346 02 222
G 1/4	Ø 6 mm ext.	346 02 223
G 1/4	Ø 8 mm ext.	346 02 224
G 3/8	Ø 10 mm ext.	346 02 021
G 1/2	Ø 12 mm ext.	346 02 022
B Plastic body, adjustable by screw recessed		
Ø M5	Ø 4 mm ext.	346 02 016
G 1/8	Ø 4 mm ext.	346 02 017
G 1/8	Ø 6 mm ext.	346 02 018
G 1/4	Ø 6 mm ext.	346 02 019
G 1/4	Ø 8 mm ext.	346 02 020
Installation Ø	Ø connection tapped	CODES
C Metal body, tapped output, adjustable by button/screw		
G 1/8	G 1/8	346 02 181
G 1/4	G 1/4	346 02 182
G 3/8	G 3/8	346 02 183

**EXHAUST REGULATOR****FLUID :**

Air or neutral gas, filtered, lubricated or not

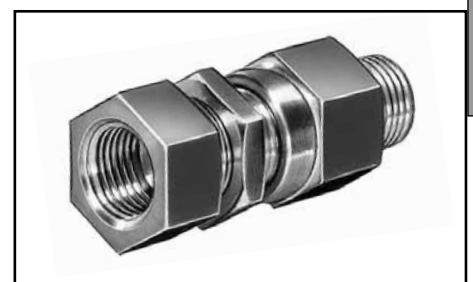
OPERATING PRESSURE : 0 to 30 bar**TEMPERATURE :** -10°C; +80°C**CONSTRUCTION :**

Body in brass

Ø orifice (max.) : G1/8 : Ø 5 mm

G1/4 : Ø 8 mm

Connection Ø	CODES
G 1/8	346 00 107
G 1/4	346 00 108

**EXHAUST REGULATOR + SILENCER****FLUID :**

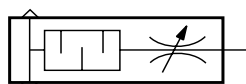
Air or neutral gas, filtered, lubricated or not

OPERATING PRESSURE : 0 to 10 bar**TEMPERATURE :** - 10°C; + 80°C**CONSTRUCTION :**

Body in polymer

Silencer part in porous plastic

Connection Ø	CODES
G 1/8	346 00 413
G 1/4	346 00 414
G 3/8	346 00 415
G 1/2	346 00 416

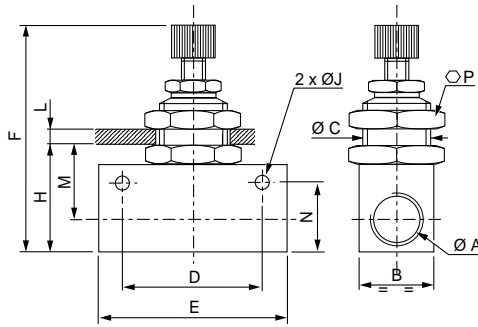


Series 346

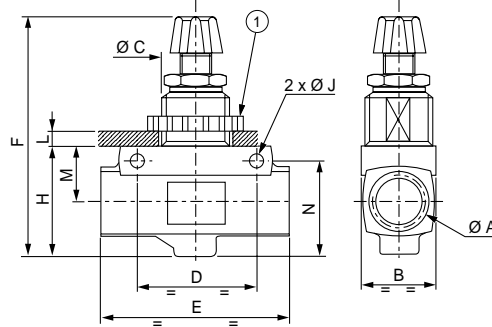
DIMENSIONS AND WEIGHTS

PANEL-MOUNTED "IN-LINE" FLOW REGULATORS

■ M5 to G1/2



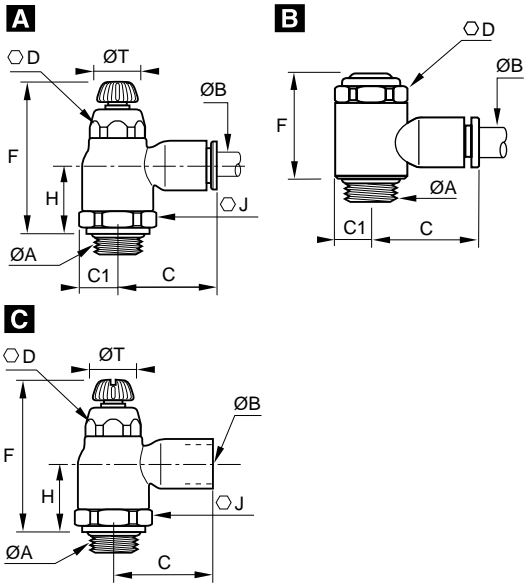
■ G3/4



CODES	Ø A	B	Ø C	D	E	F min.	F max.	H	Ø J	L max.	M	N	Ø P	Weight (kg)
346 02 010	M5	12	M9 x 0,75	18	25	32	37	17	3,2	3	10	12	11	0,019
346 02 152	G 1/8	16	M12 x 0,75	24	34	49	56	24	4,5	6	16	16	15	0,060
346 02 153	G 1/4	25	M18 x 1,5	35	50	67	75	35	6,5	7,5	23	25	22	0,140
346 02 154	G 3/8	25	M18 x 1,5	40	58	67	75	35	6,5	7,5	23	25	22	0,245
346 02 155	G 1/2	30	M22 x 1,5	50	65	80	92	46	6,5	10	29	33	26	0,360
346 00 156	G 3/4	39	M37 x 2	70	110	119	132	58	6,5	15,5	28	51	-	0,550

① Knurled nut

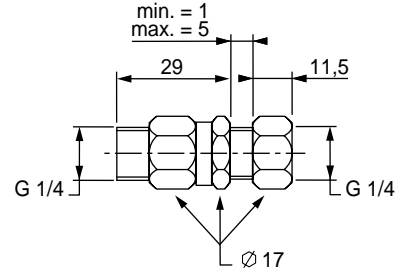
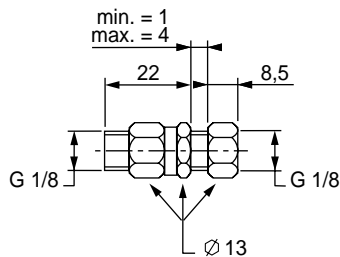
BANJO FLOW REGULATOR, ADAPTABLE ON CYLINDER



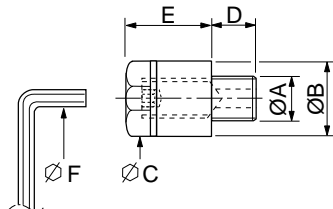
CODES	Ø A	Ø B	C	C1	D	F min.	F max.	H	J	Ø T	Weight
A Plastic body, instant fittings output, adjustable by button/screw											
346 02 188	M 5	4	17	4,5	6	23,5	26	-	-	-	0,008
346 02 221	G 1/8	4	22	9	10	38	44	16	16	10	0,021
346 02 222	G 1/8	6	22	9	10	38	44	16	16	10	0,021
346 02 223	G 1/4	6	22	9	10	36,5	42,5	15	16	10	0,021
346 02 224	G 1/4	8	28	10,5	14	41,5	48	18,5	19	12	0,037
346 02 021	G 3/8	10	32	12,5	17	45,5	54	20	23	17	0,059
346 02 022	G 1/2	12	35	13	17	45,5	54	20	24	17	0,065
B Plastic body, instant fittings output, adjustable by screw recessed											
346 02 016	M 5	4	19	5	8	17,5	19	-	-	-	0,007
346 02 017	G 1/8	4	19	7	13	25	26	-	-	-	0,017
346 02 018	G 1/8	6	21	7	13	25	26	-	-	-	0,019
346 02 019	G 1/4	6	22	9,5	17	26,5	28	-	-	-	0,034
346 02 020	G 1/4	8	27	9,5	17	26,5	28	-	-	-	0,035
C Metal body, tapped output, adjustable by button/screw											
346 02 181	G 1/8	G1/8	22,5	-	10	47	52,5	23	19	-	0,076
346 02 182	G 1/4	G1/4	32	-	14	50,5	55,5	25	19	-	0,107
346 02 183	G 3/8	G3/8	34,5	-	17	56	62	27	25	-	0,212

EXHAUST REGULATOR

Weight : 0,015 kg



EXHAUST REGULATOR + SILENCER



CODES	Ø A	Ø B	Ø C	D	E	Ø F	Weight (kg)
346 00 413	G1/8	15	13	6	14,5	2,5	0,005
346 00 414	G1/4	18	15	7	22	4	0,010
346 00 415	G3/8	24	20	8	30	6	0,030
346 00 416	G1/2	30	25	10	40	8	0,050

SILENCER

OPERATING PRESSURE : 0 to 10 bar
 TEMPERATURE : -10°C, +80°C
 Minimum load loss
 CONSTRUCTION :
 - Porous plastique body

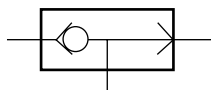


Connection Ø	CODES	
	Plastic body	
Ø M5	346 00 405	
G 1/8	346 00 406	
G 1/4	346 00 407	
G 3/8	346 00 408	
G 1/2	346 00 409	
G 3/4	346 00 410	
G 1	346 00 411	



SHUTTLE VALVE

FLUID :
 Air or filtered neutral gas, lubricated or not
 OPERATING PRESSURE : 1 to 10 bar
 TEMPERATURE : - 10°C; + 60°C
 CONSTRUCTION :
 Body light alloy black anodized
 Internal parts steel + (NBR)



Connection Ø	Orifice Ø (mm)	CODES
G 1/8	3,2	346 00 127
G 1/4	6	346 00 119

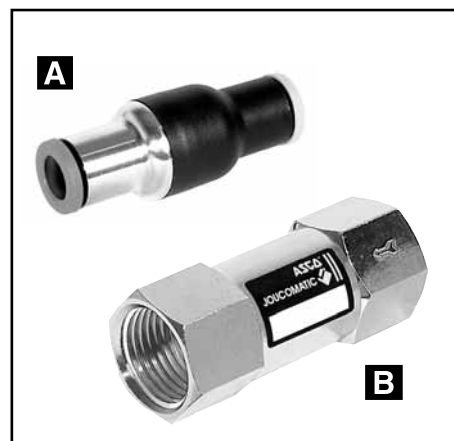


NON-RETURN VALVE

FLUID :
 Air or filtered neutral gas, lubricated or not
 OPERATING PRESSURE :
 1 to 10 bar (plastic body)
 0,5 to 10 bar (metal body)
 TEMPERATURE : - 10° C, + 60° C
 CONSTRUCTION :
 Instant fittings version : body in polymer
 Tapped version : brass nickered
 Internal parts in light alloy and brass
 Seals in nitrile (NBR)

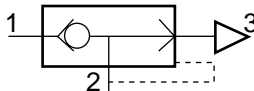


Connection Ø	Flow at 6 bar (l/min)	CODES
A Plastic body (instant fittings)		
Ø4mm ext.	330	346 02 445
Ø6mm ext.	665	346 02 446
Ø8mm ext.	1630	346 02 447
B Metal body (tapped)		
Ø M5	190	346 02 412
G 1/8	920	346 02 124
G 1/4	1650	346 02 125
G 3/8	2400	346 02 444
G 1/2	3500	346 02 126



QUICK EXHAUST VALVE

FLUID :
 Air or filtered neutral gas, lubricated or not
 OPERATING PRESSURE : 0,5 to 10 bar
 TEMPERATURE : - 10°C; + 60°C
 CONSTRUCTION :
 Body in light alloy
 Membran in nitrile (NBR)

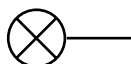


Connection Ø	Orifice Ø (mm)	CODES
G 1/4	12	346 00 136
G 3/8	12	346 00 137
G 1/2	20	346 00 138
G 3/4	20	346 00 139



PNEUMATIC INDICATOR

FLUID : Air or filtered neutral gas
 OPERATING PRESSURE : 2 to 8 bar
 AMBIENT TEMPERATURE :
 + 5° C, + 70° C
 ANGLE OF VISION : 180°
 CONSTRUCTION :
 Lens in PC (polycarbonate)
 Body and collar in POM (polyacetal)
 Nut in brass



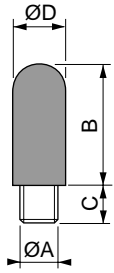
color	CODES
RED	346 00 130
GREEN	346 00 131
YELLOW	346 00 132



Series 346

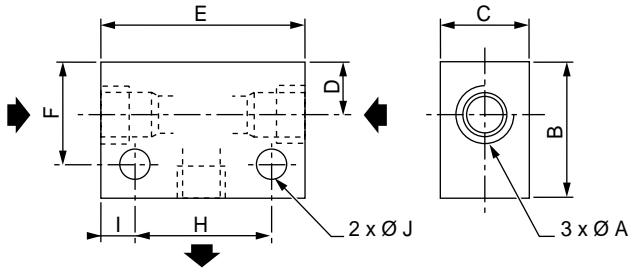
SILENCER

Plastic body



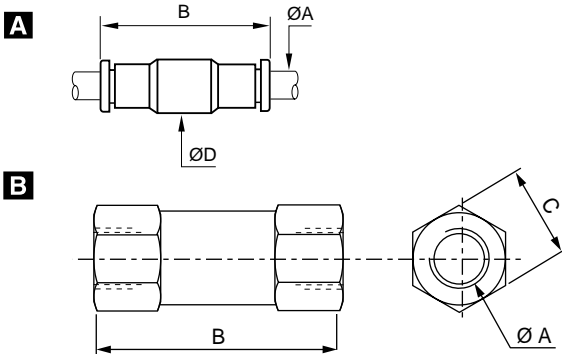
Plastic body					
CODES	Ø A	B	C	ØD	Weight (kg)
346 00 405	M 5 Cyl.	16	5	7	0,0005
346 00 406	G 1/8	27	6	13	0,002
346 00 407	G 1/4	34	7	15	0,004
346 00 408	G 3/8	55	11	18	0,006
346 00 409	G 1/2	62	12	23	0,010
346 00 410	G 3/4	113	16	38	0,040
346 00 411	G 1	141	20	48	0,065

SHUTTLE VALVE



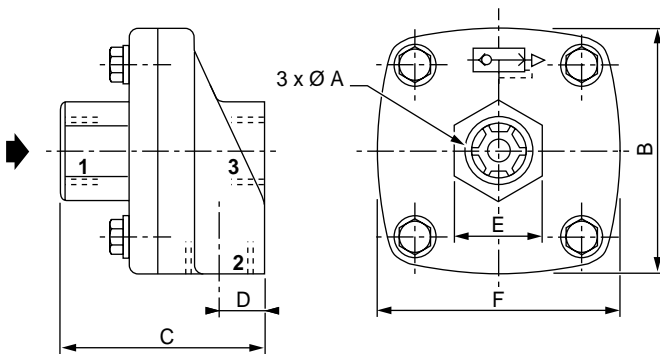
CODES	Ø A	B	C	D	E	F	H	I	J	Weight (kg)
346 00 127	G 1/8	26	16	8,5	51	20,5	32	9,5	4,5	0,150
346 00 119	G 1/4	30	20	10,5	52	21,5	35	8,5	5,5	0,210

NON-RETURN VALVE



CODES	Ø A	B	C	ØD	Weight (kg)
A Plastic body (instant fittings)					
346 02 445	Ø4mm ext.	38,5	-	16	0,008
346 02 446	Ø6mm ext.	41	-	16	0,013
346 02 447	Ø8mm ext.	51,5	-	19	0,018
B Metal body (tapped)					
346 02 412	Ø M5	25	8	-	0,008
346 02 124	G 1/8	36,5	13	-	0,025
346 02 125	G 1/4	41	16	-	0,041
346 02 444	G 3/8	51	20	-	0,074
346 02 126	G 1/2	62	24	-	0,120

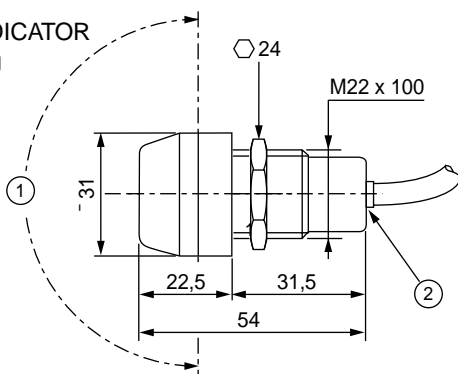
QUICK EXHAUST VALVE



CODES	Ø A	B	C	D	E	F	Weight (kg)
346 00 136	G 1/4	64	52	13	25	64	0,185
346 00 137	G 3/8	64	52	13	25	64	0,185
346 00 138	G 1/2	85	72	19	38	97	0,420
346 00 139	G 3/4	85	72	19	38	97	0,390

PNEUMATIC INDICATOR

Weight : 0.035 kg



- ① Angle of vision 180°
- ② Instant fittings for flexible tube with outside Ø 4