

FIRST ANGLE PROJECTION

Colour	M200	M300	M400
RAL 7035 Grey	M5320105	M5330105	M5340105
RAL 9005 Black	M5320109	M5330109	M5340109

Modifications

Iss

1

2

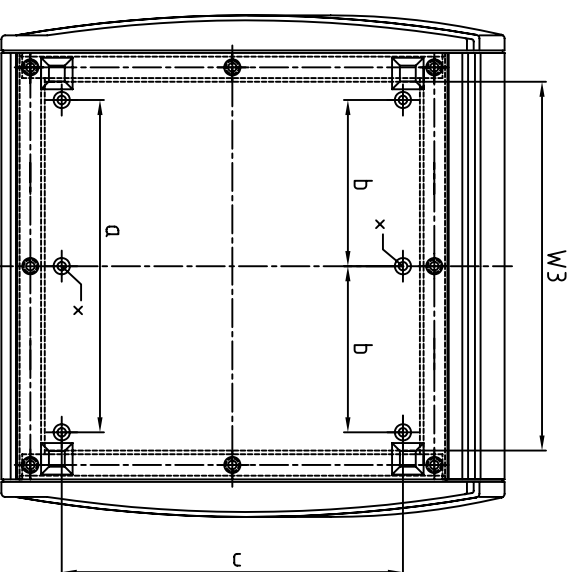
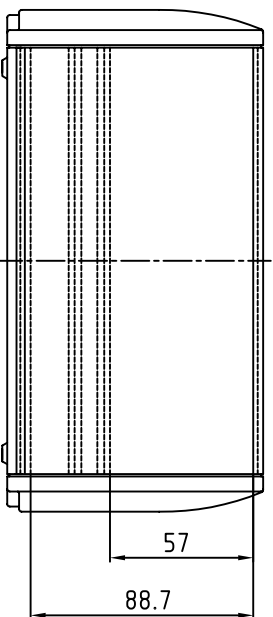
Notes added about the introduction of pull-up M3 fasteners to secure front panel & base panel.

3

M300 case has 4 off extra pullup inserts to allow 8 off fixing points for the front panel.  
lan - February '07.

4

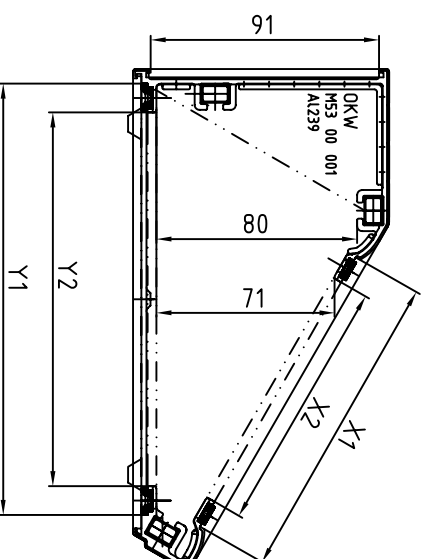
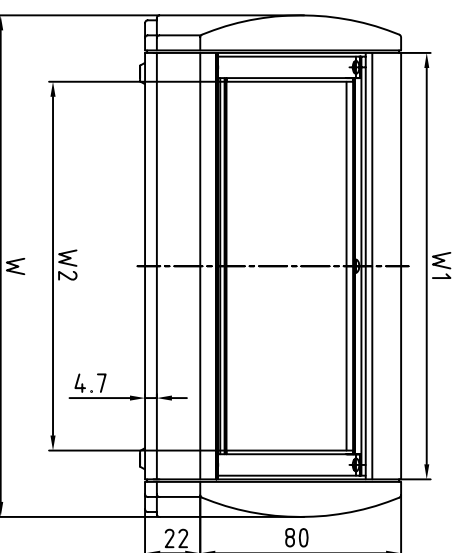
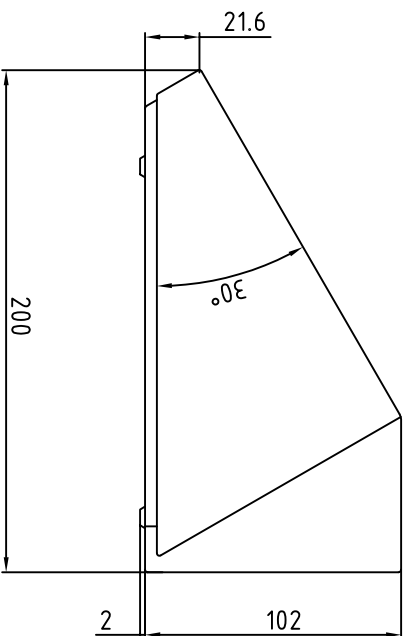
Table added to show colour variation part numbers  
lan - August '10



W	a	b	c
200	132.5	-	136
300	232.5	116.25	136
400	332.5	166.25	136

Size Drawn

x Holes not on W=200



W	W1	Size	W2	W3	X1	X2	Y1	Y2
200	170	S	14.7	14.7	12.4	10.1	17.2	14.9
300	270	M	24.7	24.7	12.4	10.1	17.2	14.9
400	370	L	34.7	34.7	12.4	10.1	17.2	14.9

From May 2006, all cases are supplied with pull-up M3 fasteners to secure the front panel & base panel, rather than the original plastic M3 inserts. The quantity fitted is as follows:

Size	Front Pnl	Base Pnl
M200	4	8
M300	8	10
M400	6	12

Tolerances unless otherwise stated:

General tolerances: ±0.20

Resultant tolerances between hole centers: ±0.15

Tolerances on hole diameters: ±0.05

Angles: ± 0.5°

Surface finish: 32/

Required Finish:

See table

Scale:

Drawn by: Ian Cox

ALL DIMENSIONS IN MILLIMETRES

Checked By:

Drawing Number: 1013

Date drawn:

August '05

DO NOT SCALE

Material Spec: Aluminium

**METcase**

METCASE ENCLOSURES

Unit 3, Mitchell Close

Segensworth East, Fareham, Hampshire, PO15 5SE, UK.

Part Name

Unidesk Case Assemblies

Part Number

See Table

Sheet 1 of 1

OKW ENCLOSURES LTD (DATE AS SHOWN). THIS DRAWING CONTAINS PROPRIETARY INFORMATION OF OKW ENCLOSURES LTD AND IS TENDERED SUBJECT TO THE FOLLOWING CONDITIONS: THE INFORMATION BE RETAINED IN CONFIDENCE, NOT BE REPRODUCED OR COPIED, AND NOT BE USED OR INCORPORATED IN ANY PRODUCT, UNLESS PERMISSION IS OBTAINED IN WRITING FROM OKW ENCLOSURES LTD.

A0