

80mm sq.

San Ace 80

25mm thick (S type)



General Specifications With a pulse sensor Specifications for pulse sensors ⇨ Refer to Page 291

- Material Frame: Plastics (Flammability: UL94V-0),
Impeller: Plastics (Flammability: UL94V-1)
- Life Expectancy Varies for each model (L10: Survival rate: 90% at 60°C, rated voltage, and continuously run in a free air state)
- Lead Wire ⊕red ⊖black Sensor yellow
- Storage Temperature -30°C to +70°C (Non-condensing)

80×80×25mm (Mass : 75g)

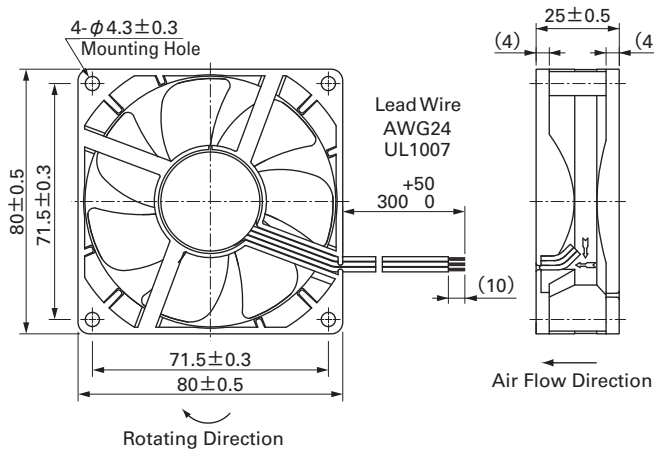
S type

Specifications The numbers in () represent ribless models.

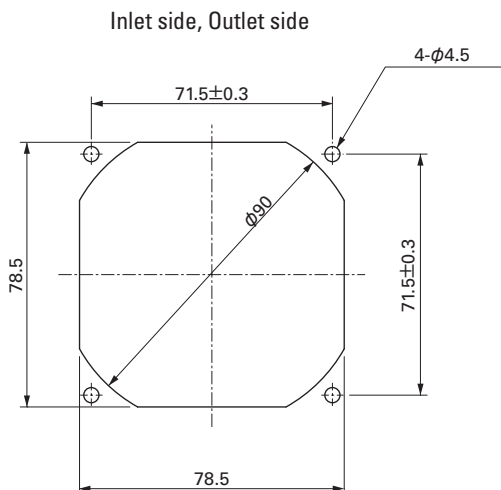
Model No.	Rated Voltage [V]	Operating Voltage Range [V]	Rated Current [A]	Rated Input [W]	Rated Speed [min ⁻¹]	Air Flow [m ³ /min] [CFM]	Static Pressure [Pa] [inchH ₂ O]	SPL [dB(A)]	Operating Temperature [°C]	Life Expectancy [h]
9S0812F401(4011)	12	5.0 to 13.8	0.11	1.32	2,800	0.93 32.8	35.5 0.143	24	-10 to +70	40,000
9S0812M401(4011)			0.08	0.96	2,500	0.83 29.3	27.5 0.110	22		
9S0812L401(4011)		6.0 to 13.8	0.05	0.60	2,000	0.66 23.3	18.1 0.073	16		
9S0824M401(4011)	24	10 to 26.4	0.06	1.44	2,500	0.83 29.3	27.5 0.110	22		
9S0824L401(4011)			0.04	0.96	2,000	0.66 23.3	18.1 0.073	16		

Without Sensor Pulse Sensor Available in all models. Lock Sensor PWM Control Please inquire as the availability of these functions depend on the model.

Dimensions (Unit : mm) (With ribs)



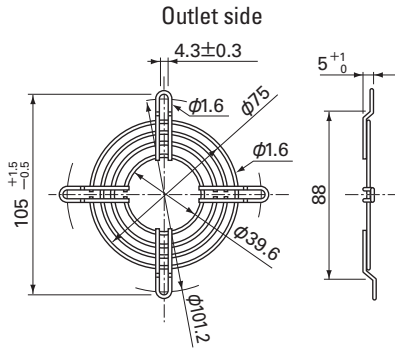
Reference dimension of mounting holes and vent opening (Unit : mm)



Options (Unit : mm)

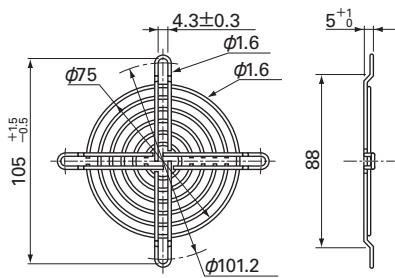
Finger guards

Model : 109-049C Color : Nickel-chrome plating (silver)
 Surface treatment : Nickel-chrome plating (silver)



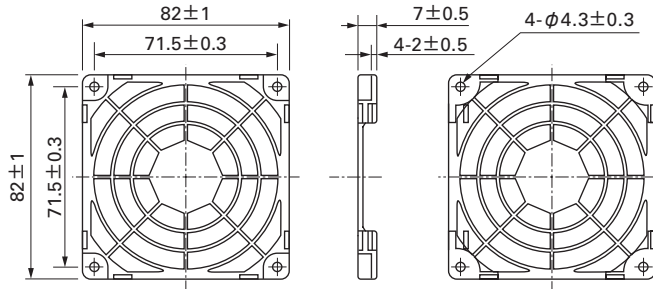
Model : 109-049E Color : Nickel-chrome plating (silver)
 Surface treatment : Nickel-chrome plating (silver)
 : 109-049H Color : Cation electropainting (black)

Inlet side, Outlet side



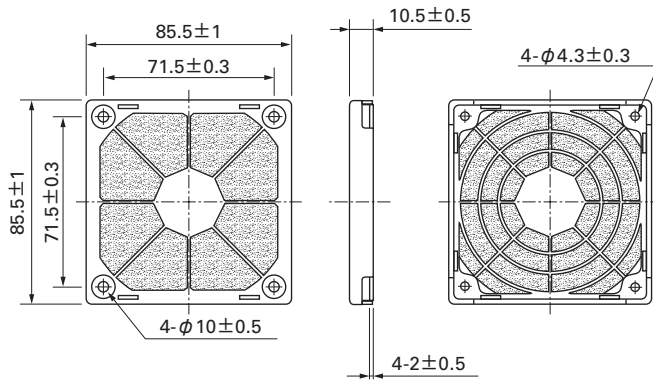
Resin finger guards

Model : 109-1002G

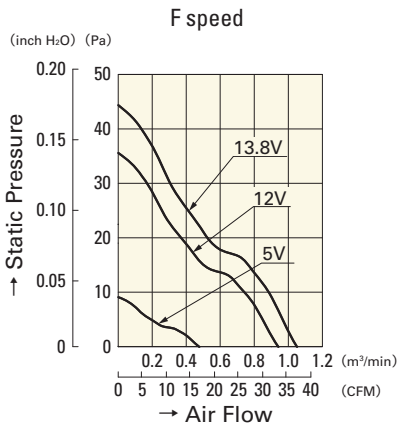


Resin filter kits

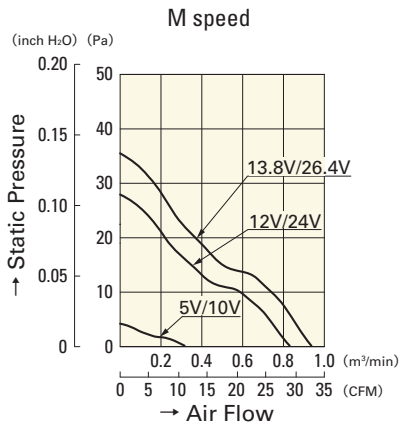
Model : 109-1002F13 (13PPI), 109-1002F20 (20PPI)
 : 109-1002F30 (30PPI), 109-1002F40 (40PPI)



Air Flow - Static Pressure Characteristics

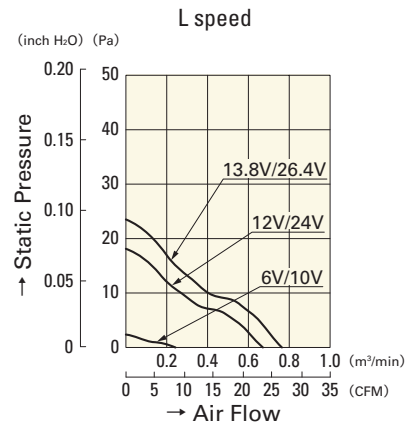


9S0812F401(4011)



9S0812M401(4011)

9S0824M401(4011)



9S0812L401(4011)

9S0824L401(4011)