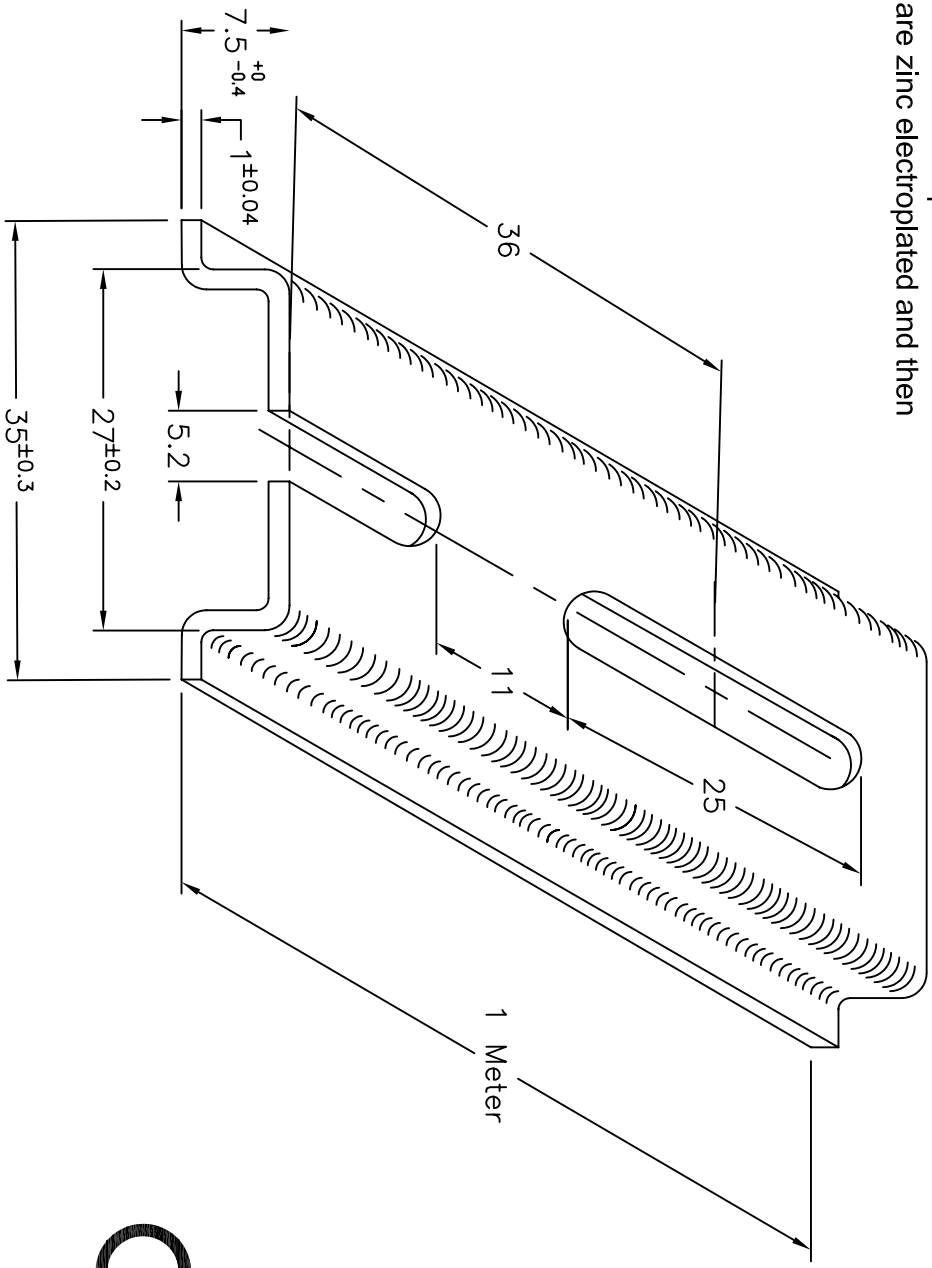


ALL RIGHTS RESERVED. NO PORTION OF THIS PUBLICATION, WHETHER IN WHOLE OR IN PART CAN BE REPRODUCED WITHOUT THE EXPRESS WRITTEN CONSENT OF SPC TECHNOLOGY.

REVISIONS		DOC. NO.	SPC-F005		Effective: 12/21/98		DCP No. 680	
DCP #	REV	DESCRIPTION	DRAWN	DATE	CHECKD	DATE	APPRD	DATE
597	A	RELEASED	JWM	7/31/01	JC	9/13/01	DJC	9/26/01

Material:
 Rails are made up of cold rolled steel per UNI 5961-67.
 After being rolled, they are zinc electroplated and then yellow passivated.



DISCLAIMER:
 ALL STATEMENTS AND TECHNICAL INFORMATION CONTAINED HEREIN ARE BASED UPON INFORMATION AND/OR TESTS WE BELIEVE TO BE ACCURATE AND RELIABLE SINCE CONDITIONS OF USE ARE BEYOND OUR CONTROL. WE MAKE NO WARRANTY, REPRESENTATION OR LIABILITY WHATSOEVER IN CONNECTION THEREWITH. INTENDED USE AND ASSUME ALL RISK AND LIABILITY.



SPC TECHNOLOGY

UNLESS OTHERWISE SPECIFIED, DIMENSIONS ARE FOR REFERENCE PURPOSES ONLY.	DRAWN BY: Jeff McVicker	DATE: 7/31/01
	CHECKED BY: JOHN COLE	DATE: 9/13/01
	APPROVED BY: Daniel Carey	DATE: 9/26/01

DRAWING TITLE: DIN Rail - 35mm x 7.5mm Slotted		
SIZE: A	DWG. NO.: SPC10576	ELECTRONIC FILE: 19C7295.dwg
SCALE: NTS	U.O.M.: Millimeters	SHEET: 1 OF 1