



“Flexi-strip” multi band 900MHz + 1800MHz + 3G Antenna

EDED3G-2-5F

Electrical Data

Frequency Range (MHz)	890 - 960 & 1710 - 2100
Operational Bands	GSM900 & GSM1800 & 3G UMTS
VSWR	Tx ≤ 1.5:1, Rx ≤ 2:1
Gain: Isotropic	2dBi
Compared with ¼ wave	0dB
Polarisation	Vertical
Configuration	3 × ½ Wave Dipole
Orientation	Vertical, Cable Entry From Left or Right

Mechanical Data

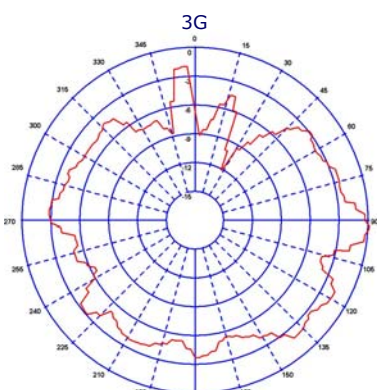
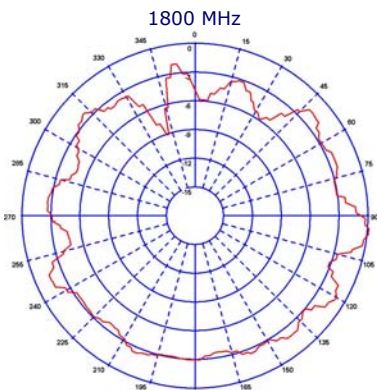
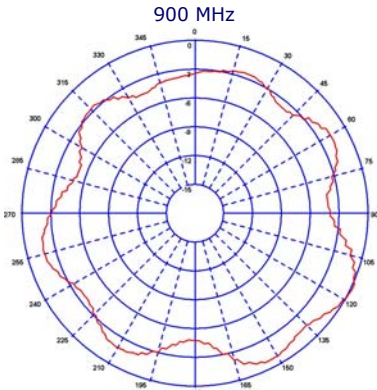
Dimensions (mm)	Length	113
	Width	10
	Thickness	2.5
	Cable Entry Thickness	5.4
Operating Temp (°C)	-40° / +80°C	
Materials	Engineering Plastic	
Colour	Black	

Mounting Data

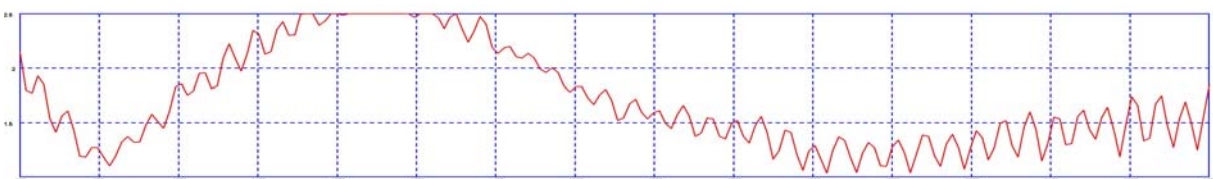
Fixing	Internal Glass Mount
Material	Acrylic Adhesive Pad
Colour	Black

Cable Data

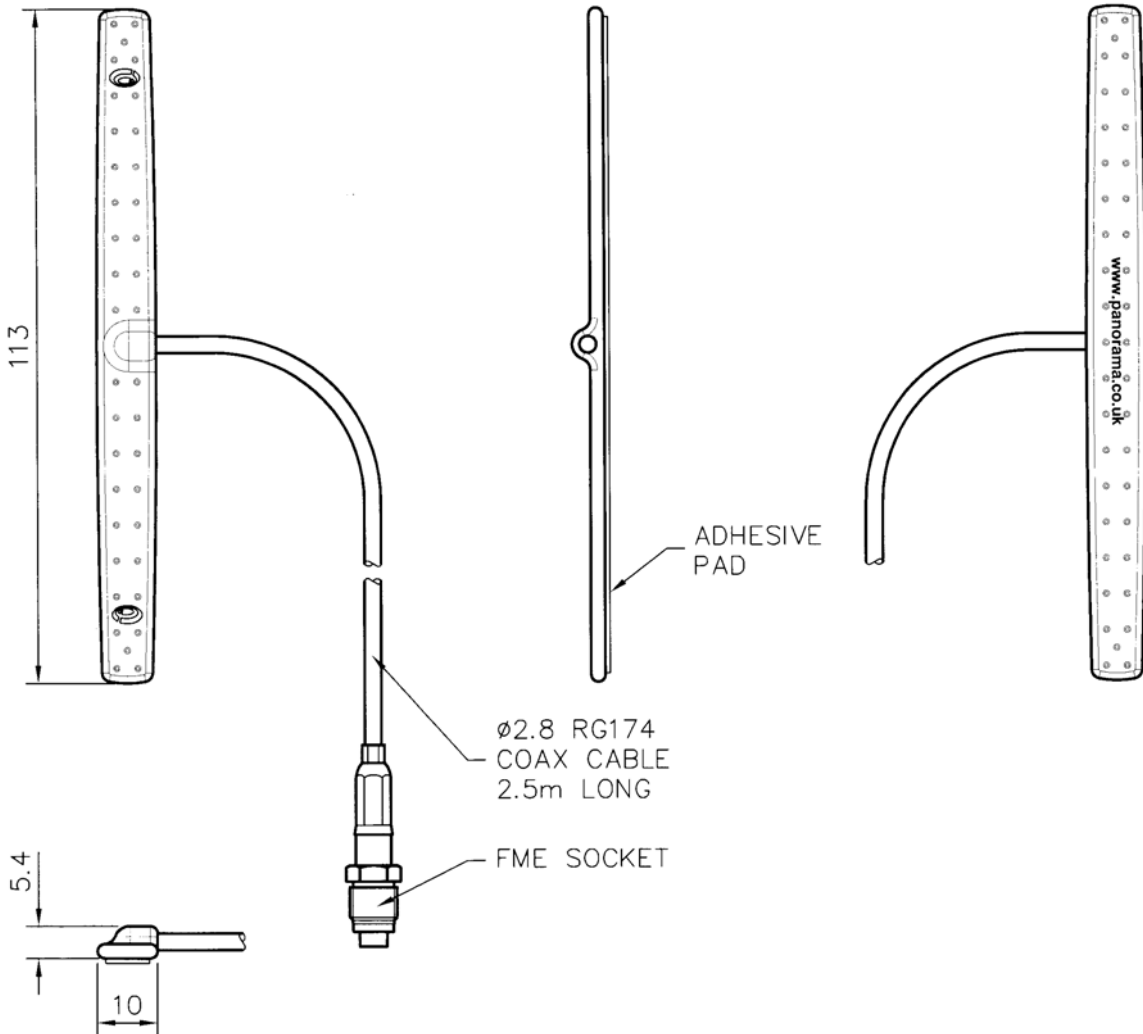
Type	RG174 Coax
Thickness (mm)	2.8
Length (m)	2.5
Termination	FME



VSWR v Freq (MHz)



Technical Drawing



EDE3G-2-5F