

Visual Signals STATIC FILAMENT

BEACONS



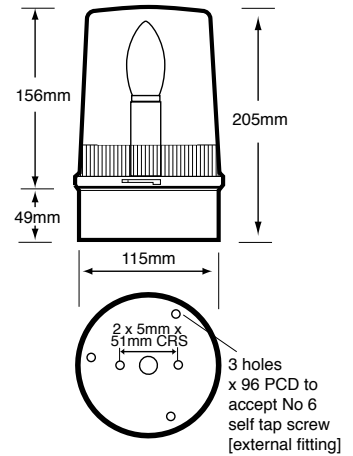
SF200-05/09



SF201-26/29



SF201-62/63



Industrial Static Filament Beacons > SF201/200 Series

Product overview

The SF201-200 Series is identical to Flashing Filament beacons with the exception that they do not operate through an On and Off cycle. When the unit is energised, the light source stays permanently 'On' - often referred to as steady mode. The main advantage of this type of beacon is that the light can be

controlled by a separate source, i.e. a control panel, giving the unit more flexibility. These units are available with either a filament or tungsten halogen lamp. The 201/200 Series uses a smooth outer lens. Low wattage models incorporate a Dioptic Fresnel internal lens to increase the light output. The use of the smooth outer lens makes cleaning of the unit easy and less likely to become ineffective due to a build-up of dirt.

Features

- Continuously rated
- Suitable for surface or wall mounting
- Suitable for use with conduit BESA box
- Low current consumption models available
- Optional wall bracket & protective guard available - see accessory page
- 360° visibility
- IP65

Material

- UV Stable Polycarbonate Lens
- UV Stable ABS Plastic Base

Code No:	Voltage:	Light Source:	Current:
SF201-26	12v Ac/Dc ~	Ba15d x 5w	0.42 A
SF201-27	24v Ac/Dc ~	Ba15d x 5w	0.21 A
SF201-28	12v Ac/Dc ~	Ba15d x 10w	0.84 A
SF201-29	24v Ac/Dc ~	Ba15d x 10w	0.42 A
SF201-62	12v Ac/Dc ~	H1 x 55w	4.60 A
SF201-63	24v Ac/Dc ~	H1 x 70w	2.90 A
SF201-05	12v Ac/Dc ~	Ba15d x 48w	4.00 A
SF201-06	24v Ac/Dc ~	Ba15d x 48w	2.00 A
SF201-07	48v Dc ---	Ba15d x 35w	0.65 A
SF200-08	115v Ac ~	Ba15d x 60w	0.55 A
SF200-09	230v Ac ~	Ba15d x 60w	0.29 A
FL200-09	230v Ac ~	Compact Fluorescent	



Kg 0.76

50/60 Hz

°C -35+55

IP 65

INDUSTRIAL

APPROVAL AND CONFORMITIES



ADD THE FOLLOWING LENS CODES TO THE PRODUCT CODE WHEN ORDERING

01 02 03 04 05