



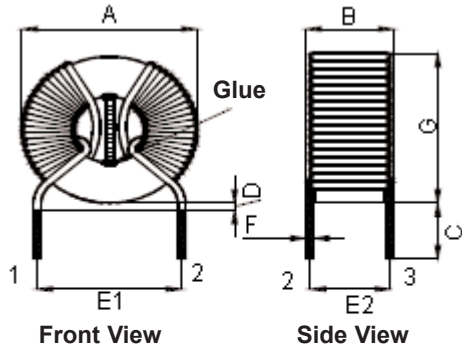
PART NO.

MCT25X15X15C-502NU

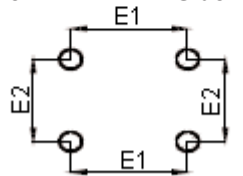
REVISIONS

ECN #	REV	DESCRIPTION	DRAWN	DATE	CHECKD	DATE	APPRVD	DATE
-	A	RELEASED	SID	20/4/11	BHA	20/4/11		04/5/11

Configurations and Dimensions

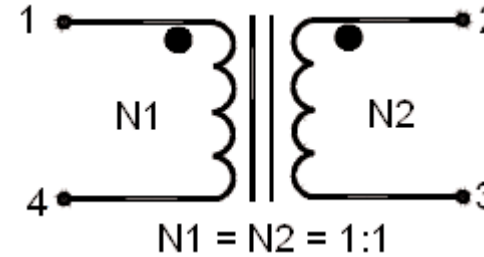


A	30 mm	(Max.)
B	21 mm	(Max.)
C	8 mm	(Ref.)
D	1 mm	(Max.)
E1	23 ±3 mm	-
E2	15 ±3 mm	-
F	Ø0.8 mm	(Typ.)
G	27.5 mm	(Max.)



Suggest PCB Layout

Schematic Diagram



Note:

1. Wire UEFN/U (155°C) Ø0.8mm
2. N1 = N2 = 22TS (Reference) N1:C.W N2:C.CW



Electrical Characteristics

Test Condition		
10 KHz / 50 µA	L (1-4)	5 mH ±30%
	L (2-3)	
T _a = 25°C	DCR (1-4)	45 mΩ (Max.)
	DCR (2-3)	
	IDC	6A
HI-Pot (Coil to Coil)		1,500 V ac 5 mA 1min

Operating temperature : -25°C to +85°C

Test Data for Mechanical

Test Item	A mm	B mm	C mm	D mm	E1 mm	E2 mm	F mm	G mm
Specification	30 (Max.)	21 (Max.)	8 (Ref.)	1 (Max.)	23 ±3	15 ±3	Ø0.8 (Typ.)	27.5 (Max.)
1	28.28	18.85	8.35	0.18	23.8	15.8	0.8	25.53
2	28.38	18.4	8.26	0.15	23.62	16.25	0.76	25.88
3	28.19	18.42	8.51	0.2	23.73	16.52	0.78	25.59
4	28.46	18.7	8.6	0.16	23.95	16.75	0.75	25.4
5	28.49		8.39	0.22	24.25	16.71	0.76	25.89
Average	28.36	18.61	8.42	0.18	23.87	16.41	0.77	25.66

Important Notice : This data sheet and its contents (the "Information") belong to the members of the Premier Farnell group of companies (the "Group") or are licensed to it. No licence is granted for the use of it other than for information purposes in connection with the products to which it relates. No licence of any intellectual property rights is granted. The Information is subject to change without notice and replaces all data sheets previously supplied. The Information supplied is believed to be accurate but the Group assumes no responsibility for its accuracy or completeness, any error in or omission from it or for any use made of it. Users of this data sheet should check for themselves the Information and the suitability of the products for their purpose and not make any assumptions based on information included or omitted. Liability for loss or damage resulting from any reliance on the Information or use of it (including liability resulting from negligence or where the Group was aware of the possibility of such loss or damage arising) is excluded. This will not operate to limit or restrict the Group's liability for death or personal injury resulting from its negligence. Multicomp is the registered trademark of the Group. © Premier Farnell plc 2011.

TOLERANCES:

UNLESS OTHERWISE SPECIFIED, DIMENSIONS ARE FOR REFERENCE PURPOSES ONLY.

DRAWN BY:

SID

CHECKED BY:

BHA

APPROVED BY:

DATE:

20/4/11

DATE:

20/4/11

DATE:

04/5/11

DRAWING TITLE:

Common Mode Choke

SIZE
A

DWG NO.

M10003238

SCALE: NTS

U.O.M.: mm

ELECTRONIC FILE
MCT25X15X15C-502NU

REV
A

SHEET: 1 OF 3



PART NO.

MCT25X15X15C-502NU

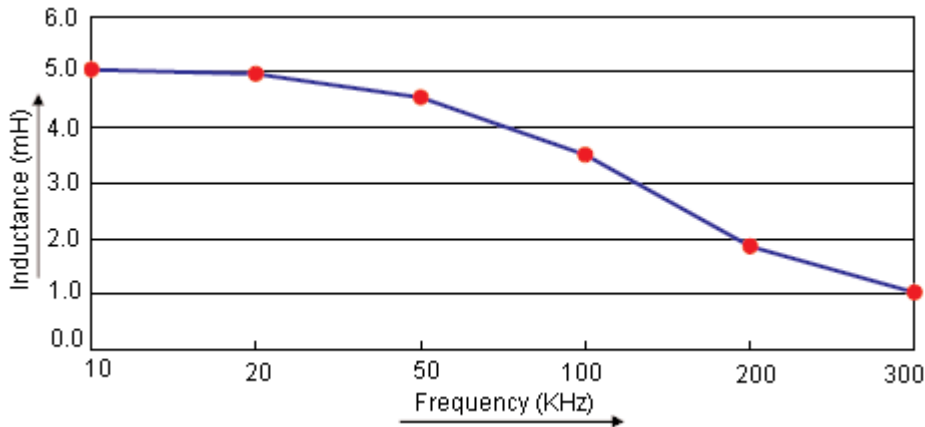
REVISIONS

ECN #	REV	DESCRIPTION	DRAWN	DATE	CHECKD	DATE	APPRVD	DATE
-	A	RELEASED	SID	20/4/11	BHA	20/4/11		04/5/11

Test Data for Electrical

Test Item	L (1-4) mH	L (2-3) mH	DCR (1-4) mΩ	DCR (2-3) mΩ	HI-Pot (Coil to Coil)
Condition	10 KHz / 50 μA	10 KHz / 50 μA	T _a = 25°C	T _a = 25°C	1,500 V ac 5 mA 1 (Min.)
Specification	5 ±30%	5 ±30%	45 (Max.)	45 (Max.)	Pass
1	4.88	4.86	35.36	35.42	Pass
2	4.9	4.9	35.39	35.4	
3	5.54	5.56	35.53	35.56	
4	5.72	5.74	36.56	36.55	
5	5.76	5.78	35.16	35.2	
Average	5.36	5.37	35.6	35.63	Pass

Electric Characteristics



Important Notice : This data sheet and its contents (the "Information") belong to the members of the Premier Farnell group of companies (the "Group") or are licensed to it. No licence is granted for the use of it other than for information purposes in connection with the products to which it relates. No licence of any intellectual property rights is granted. The Information is subject to change without notice and replaces all data sheets previously supplied. The Information supplied is believed to be accurate but the Group assumes no responsibility for its accuracy or completeness, any error in or omission from it or for any use made of it. Users of this data sheet should check for themselves the Information and the suitability of the products for their purpose and not make any assumptions based on information included or omitted. Liability for loss or damage resulting from any reliance on the Information or use of it (including liability resulting from negligence or where the Group was aware of the possibility of such loss or damage arising) is excluded. This will not operate to limit or restrict the Group's liability for death or personal injury resulting from its negligence. Multicomp is the registered trademark of the Group. © Premier Farnell plc 2011.

TOLERANCES:

UNLESS OTHERWISE SPECIFIED, DIMENSIONS ARE FOR REFERENCE PURPOSES ONLY.

DRAWN BY:

SID

CHECKED BY:

BHA

APPROVED BY:

DATE:

20/4/11

DATE:

20/4/11

DATE:

04/5/11

DRAWING TITLE:

Common Mode Choke

SIZE
A

DWG NO.

M10003238

ELECTRONIC FILE
MCT25X15X15C-502NU

REV
A

SCALE: NTS

U.O.M.: mm

SHEET: 2 OF 3



PART NO.

MCT25X15X15C-502NU

REVISIONS

ECN #	REV	DESCRIPTION	DRAWN	DATE	CHECKD	DATE	APPRVD	DATE
-	A	RELEASED	SID	20/4/11	BHA	20/4/11		04/5/11

Reliability Test

Test Item	Specifications	Test Method and Remarks
Operating temperature range	-25°C to +85°C	Including temperature rise due to self-generated heat.
Storage condition	Ambient temperature : 0°C to 40°C Humidity : Below 70% RH	To maintain the solderability of terminal electrodes, care must be taken to control temperature and humidity in the storage area.
Moisture sensitivity	Appearance : No abnormality No damage DCR change : Within ±5% Inductance change : Within ±5%	According to J-STD-020B level 3 Test condition : 60°C 60% RH Test duration : 40 hrs Recovery : 1 to 2 hours of recovery under the standard condition after the removal from the test chamber.
Solderability	All termination shall exhibit a continuous solder coating free from defects for a minimum of 95% of the surface area of any individual lead.	According to J-STD-002B Steam aging category : 97°C 98% RH Steam aging duration : 8 hrs Solder : Lead-free solder Solder temperature : 260 ±5°C Dip time : 5 +0 / -0.5 s

Part Number Table

Description	Part Number
Choke, Common Mode, 1MH, 6A	MCT25X15X15C-502NU

<http://www.element14.com>

<http://www.farnell.com>

<http://www.newark.com>

Important Notice : This data sheet and its contents (the "Information") belong to the members of the Premier Farnell group of companies (the "Group") or are licensed to it. No licence is granted for the use of it other than for information purposes in connection with the products to which it relates. No licence of any intellectual property rights is granted. The Information is subject to change without notice and replaces all data sheets previously supplied. The Information supplied is believed to be accurate but the Group assumes no responsibility for its accuracy or completeness, any error in or omission from it or for any use made of it. Users of this data sheet should check for themselves the Information and the suitability of the products for their purpose and not make any assumptions based on information included or omitted. Liability for loss or damage resulting from any reliance on the Information or use of it (including liability resulting from negligence or where the Group was aware of the possibility of such loss or damage arising) is excluded. This will not operate to limit or restrict the Group's liability for death or personal injury resulting from its negligence. Multicomp is the registered trademark of the Group. © Premier Farnell plc 2011.

**TOLERANCES:
UNLESS OTHERWISE
SPECIFIED,
DIMENSIONS ARE
FOR REFERENCE
PURPOSES ONLY.**

DRAWN BY:	DATE:
SID	20/4/11
CHECKED BY:	DATE:
BHA	20/4/11
APPROVED BY:	DATE:
	04/5/11

DRAWING TITLE:			
Common Mode Choke			
SIZE	DWG NO.	ELECTRONIC FILE	REV
A	M10003238	MCT25X15X15C-502NU	A
SCALE: NTS		U.O.M.: mm	SHEET: 3 OF 3