

A

**Heatsinks for transistors in plastic case**

B

C

D

E

F

G

H


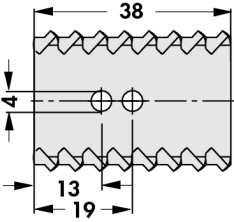
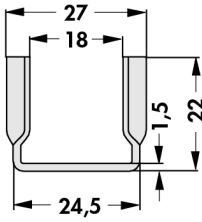

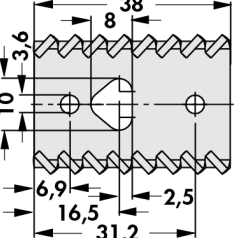
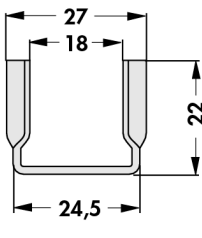
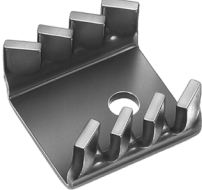
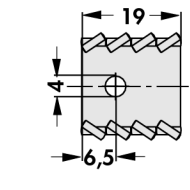
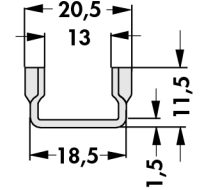
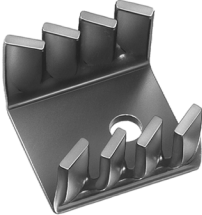
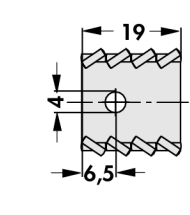
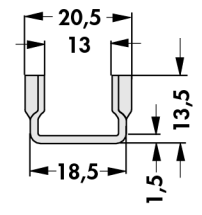
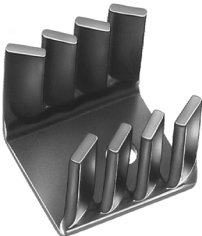
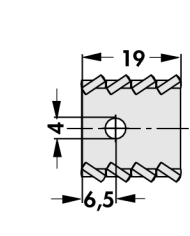
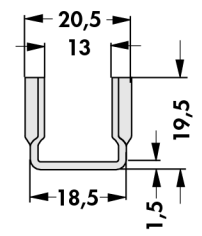
I

K

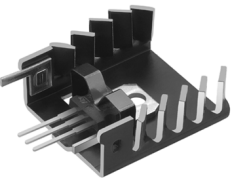
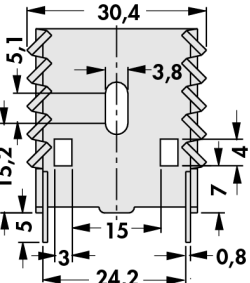
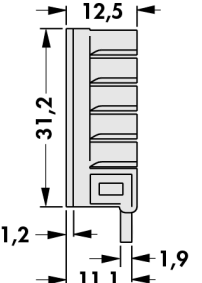
L

M

N

<b>art. no.</b>  <b>FK 225 SA L 1</b>			9,9 K/W TO 220	
<b>art. no.</b>  <b>FK 225 SA L 2</b>			9,9 K/W TO 220	
<b>art. no.</b>  <b>FK 228 SA L 1</b>			30 K/W TO 220	
<b>art. no.</b>  <b>FK 229 SA L 1</b>			27 K/W TO 220	
<b>art. no.</b>  <b>FK 230 SA L 1</b>			21 K/W TO 220	

**material:** aluminium  
**surface treatment:** black anodised

<b>art. no.</b>  <b>FK 249 SA 220</b>			17 K/W TO 220	
---	---	--	------------------	---

**material:** aluminium  
**surface treatment:** black passivated, solder pins tin plated

**C 5**

Retaining springs for transistors  
 Heatsinks for D PAK  
 GEL thermal conductive foil  
 Insulator caps

→ A 113 – 118  
 → C 17  
 → E 7  
 → E 43

Mounting material for semiconduct.  
 Mounting pads  
 Mounting pads for transistors  
 Mounting parts for heatsinks

→ E 37 – 41  
 → E 39  
 → E 40  
 → E 42 – 43