

Actual information about approvals can be found on
<http://www.schurter.com/approvals>



4784

C15



120° C

Description

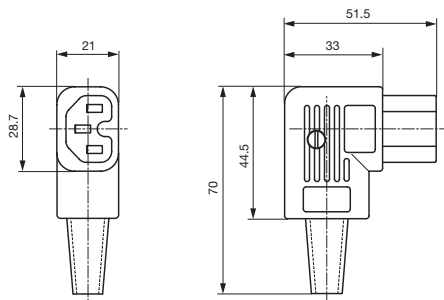
- Rewireable plug:
Screw-on
- Outlet, Pin temperature 120 °C, Protection class I
- Cable
- Substitute for type 8943.LW

Technical Data

Ratings IEC	10 A / 250 VAC; 50 Hz	Terminals	Cable
Ratings UL/CSA	15 A / 250 VAC; 60 Hz	Material: Housing	Thermoplastic, Black, UL 94V-0
Dielectric Strength	> 2 kVAC between L-N > 2 kVAC between L/N-PE (1 min/50 Hz)	Appliance-inlet /-outlet	C15 acc. to IEC/EN 60320-1, UL 498, CSA C22.2 no. 42 (for warm condition) pin-temperature 120 °C, 10 A, Protection class I
Allowable operation temp.	-25 °C to 120 °C		
Protection Class	Suitable for appliances with protection class I acc. to IEC 61140		

Dimensions

4784



Variants

Order Number	Color	Max. cable diameter	Max. wire size
4784.0000	Black	8.5 mm	3 x 1 mm ² / 3 x 18 AWG
4784.0100	Black	10.0 mm	3 x 2 mm ² / 3 x 14 AWG

Max. torque for screws: Terminal: 0.5 Nm, Cable clamp: 0.3 Nm, Cover: 0.3 Nm
 Cord retaining clamp see accessories

Packaging unit 100 Pcs