

Actual information about approvals can be found on
<http://www.schurter.com/approvals>



C14



70° C



Standard- or Medical-Filter

Description

- Panel mount:
- Screw-on version from front side
- 5 Functions:
- Connector, Line switch, Fuseholder with interchangeable fuse drawer for Fuse-links 5 x 20 mm or 6.3 x 20 mm, with or without voltage selector (step switch), Line filter in standard and medical version
- Quick connect terminals 4.8 x 0.8 mm
- Alternative: version without line filter [KD](#)

Characteristics

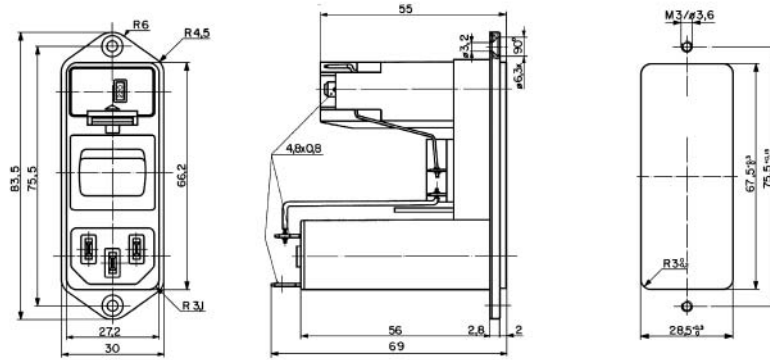
- All single elements are already wired
- The fuse drawer "Fingergrip" can be removed by hand
- For added safety "Extra-Safe" fuse drawers are available
- Fuse drawer meets requirements of medical standard IEC/EN 60601-1
- The fuse drawer can only be opened with the aid of a tool
- The fuseholder is accessible from the equipment front
- Qualified for use in equipment according IEC/EN 60950

Technical data

Ratings IEC	1 - 10 A @ Ta 40 °C / 250 VAC; 50 Hz
Ratings UL/CSA	1 - 10 A @ Ta 40 °C / 125 VAC; 60 Hz
Leakage current	standard < 0.5 mA (250 V / 60 Hz) medical < 5 µA (250 V / 60 Hz)
Dielectric strength	> 1.7 kVDC between L-N > 2.7 kVDC between L/N-PE Test voltage (2 sec)
Allowable operation temp.	-25 °C to 85 °C
Climatic category	25/085/21, IEC 60068-1
Degree of protection	from front side IP40 acc. to IEC 60529
Protection class	Suitable for appliances with protection class I acc. to IEC 61140
Terminals	Quick connect terminals 4.8 x 0.8 mm
Panel thickness s	Screw-on: max 8 mm Mounting screw torque max 0.5 Nm
Materials: Housing	Thermoplastic, black, UL 94V-0

Appliance-inlet /-outlet	C14 acc. to IEC/EN 60320-1, UL 498, CSA C22.2 no. 42 (for cold condition) pin-temperature 70 °C, 10 A, Protection class I
Fuseholder	1- or 2-pole, Shocksave category PC2 acc. to IEC/EN 60127-6, for fuse-links 5 x 20 or 6.3 x 32 mm
Rated power acceptance @ Ta 23 °C	5 x 20: 2.5 W (1-pole)/ 2 W (2-pole) per pole 6.3 x 32: 3.15 W (1-pole)/ 2.5 W (2-pole) per pole
Power acceptance @ Ta > 23°C	Admissible power acceptance at higher ambient temperature see derating curves. Take note of the information GENERAL PRODUCT INFORMATION
Line switch	Rocker switch 2-pole, non-illuminated, acc. to IEC 61058-1 Technical details GENERAL PRODUCT INFORMATION
Voltage selector	optional, step, 2-4 digits
Line filter	Standard and medical version, IEC 60939, IEC 60601-1, UL 1283, UL 544, EN 133 200, CSA C22.2 no. 8 Technical details GENERAL PRODUCT INFORMATION

Dimensions



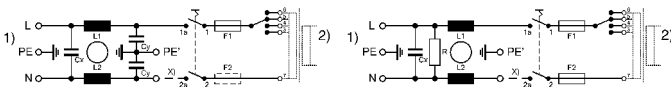
Technical data of filter-components

Rated current [A]	Filter-Type	Inductances	Capacitance	Capacitance	R [MΩ]
		L [mH]	CX [nF]	CY [nF]	
1	Standard Version	2 x 10	68	2.2	
2	Standard Version	2 x 4	68	2.2	
4	Standard Version	2 x 1.5	68	2.2	
6	Standard Version	2 x 0.8	68	2.2	
10	Standard Version	2 x 0.3	68	2.2	
1	Medical Version (M5)	2 x 10	68		1
2	Medical Version (M5)	2 x 4	68		1
4	Medical Version (M5)	2 x 1.5	68		1
6	Medical Version (M5)	2 x 0.8	68		1
10	Medical Version (M5)	2 x 0.3	68		1

Diagrams

Standard version with voltage selector

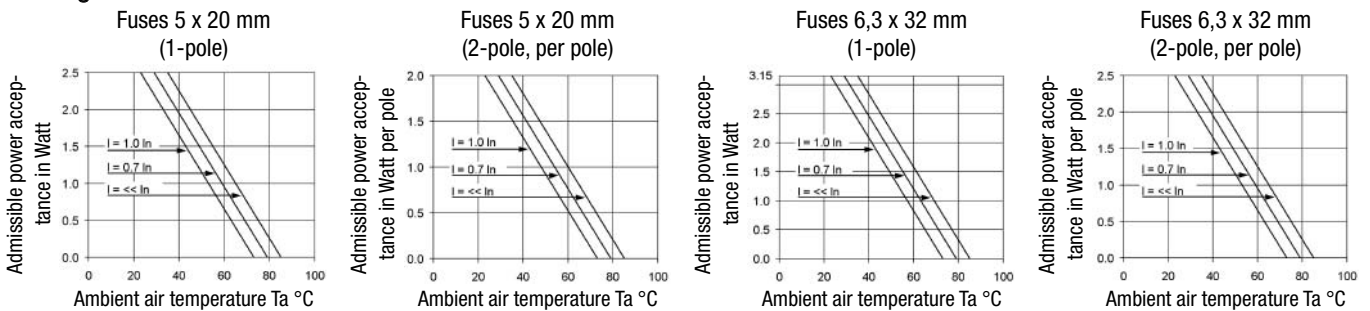
Medical version with voltage selector



- 1) Line
- 2) Load

- 1) Line
- 2) Load
- x) External connection to be made by the customer

Derating curves

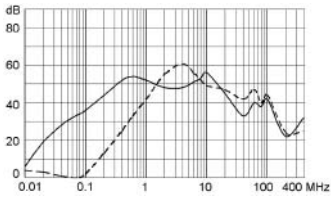


Attenuation loss

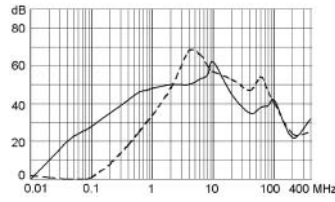
--- differential mode — common mode

Standard version

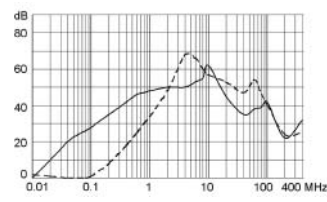
1 A



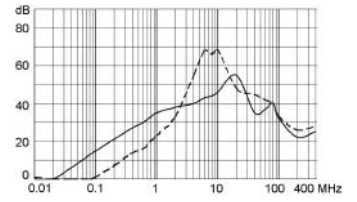
2 A



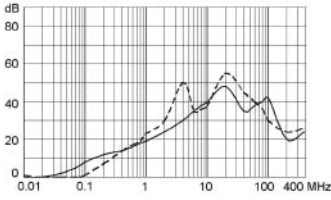
4 A



6 A

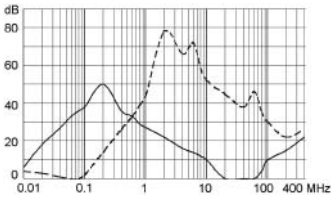


10 A

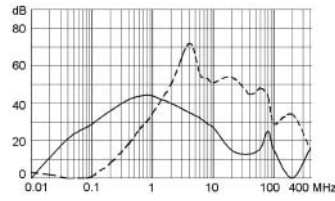


Medical version

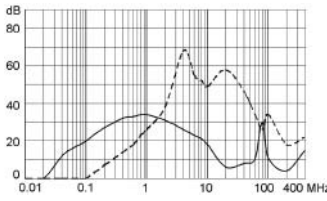
1 A



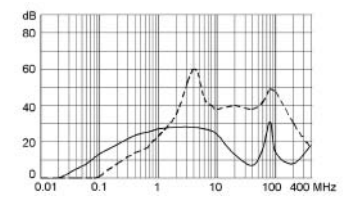
2 A



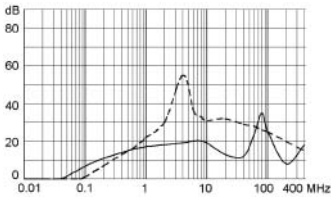
4 A



6 A



10 A



Variants

Fuse drawer must be ordered separately (See accessories).

Order Number	Type	Rated current [A]	Filter-Type	Fuseholder	Line switch	Voltage selector
CD11.1501.151	CD	1	Standard Version	1-pole	2-pole	
CD21.1501.151	CD	2	Standard Version	1-pole	2-pole	
CD31.1501.151	CD	4	Standard Version	1-pole	2-pole	
CD41.1501.151	CD	6	Standard Version	1-pole	2-pole	
CD61.1501.151	CD	10	Standard Version	1-pole	2-pole	
CD11.4501.151	CD	1	Standard Version	1-pole	2-pole	2-4 digits
CD21.4501.151	CD	2	Standard Version	1-pole	2-pole	2-4 digits
CD31.4501.151	CD	4	Standard Version	1-pole	2-pole	2-4 digits
CD41.4501.151	CD	6	Standard Version	1-pole	2-pole	2-4 digits
CD61.4501.151	CD	10	Standard Version	1-pole	2-pole	2-4 digits
CD14.1101.151	CD	1	Standard Version	2-pole	2-pole	
CD24.1101.151	CD	2	Standard Version	2-pole	2-pole	
CD34.1101.151	CD	4	Standard Version	2-pole	2-pole	
CD44.1101.151	CD	6	Standard Version	2-pole	2-pole	
CD64.1101.151	CD	10	Standard Version	2-pole	2-pole	
CD14.4101.151	CD	1	Standard Version	2-pole	2-pole	2-4 digits
CD24.4101.151	CD	2	Standard Version	2-pole	2-pole	2-4 digits
CD34.4101.151	CD	4	Standard Version	2-pole	2-pole	2-4 digits
CD44.4101.151	CD	6	Standard Version	2-pole	2-pole	2-4 digits
CD64.4101.151	CD	10	Standard Version	2-pole	2-pole	2-4 digits
CDG4.4101.151	CD	1	Medical Version (M5)	2-pole	2-pole	2-4 digits
CDA4.4101.151	CD	2	Medical Version (M5)	2-pole	2-pole	2-4 digits
CDC4.4101.151	CD	4	Medical Version (M5)	2-pole	2-pole	2-4 digits
CDE4.4101.151	CD	6	Medical Version (M5)	2-pole	2-pole	2-4 digits
CDL4.4101.151	CD	10	Medical Version (M5)	2-pole	2-pole	2-4 digits

Packaging unit

10 Pcs

Accessories

ACCESSORIES