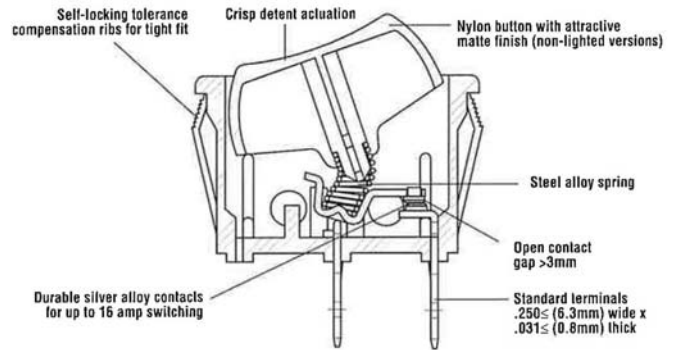


# Single-Pole Rocker Switch TR Series



## Features

- 16A switching in 1mm wide package
- Lighted and non-lighted
- Maintained action and momentary
- Mechanical life: min. 10,000 operations

| Electrical Ratings |                           |                                      |                                    |                                   |
|--------------------|---------------------------|--------------------------------------|------------------------------------|-----------------------------------|
| Switch Series      | EN61058 Rating            | UL1054 Rating                        | Electrical Life at Rated Load      |                                   |
|                    |                           |                                      | According to VDE (Min. Operations) | According to UL (Min. Operations) |
| TR                 | 16(4)A, 250V~, T85/55 1E4 | 16A, 125/250VAC; 1/4HP, 3/4HP 250VAC | 10,000                             | 6,000                             |

| Electrical Specifications          |   | Material Specifications        |                            |
|------------------------------------|---|--------------------------------|----------------------------|
| <b>Ratings:</b>                    | 16A, 125/250VAC; 1/4HP; 3/4HP 250VAC (UL)<br>16A, 125/250VAC; 1/4HP (CSA)<br>16(4)A, 250V~ T85/55 5E4 (VDE) | <b>Actuator (non-lighted):</b> | Nylon 66 94V-2             |
| <b>Dielectric Strength:</b>        | 1000VAC for 1 minute  | <b>(lighted):</b>              | Polycarbonate              |
| <b>Insulation Resistance:</b>      | 100M ohms min at 500VDC   | <b>Base:</b>                   | Nylon 66 94V-2             |
| <b>Initial Contact Resistance:</b> | 0.020 ohms max  | <b>Spring:</b>                 | Steel Wire                 |
| <b>Temperature Range:</b>          | -20°C to + 65°C   | <b>Contacts:</b>               | Silver Alloy               |
|                                    |   | <b>Movable Arm:</b>            | Silver-Plated Copper Alloy |
|                                    |   | <b>Terminals:</b>              | Tin-Plated Copper Alloy    |

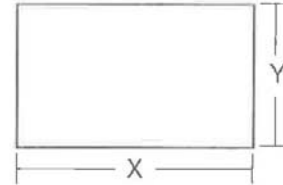
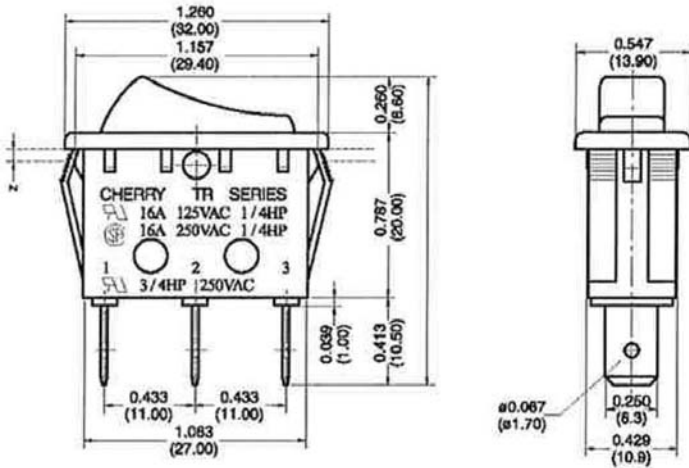


RoHS Compliant  
UL File No: E23301

Specifications subject to change without notice.

# Single-Pole Rocker Switch TR Series

Dimensions inches (mm)



Z = Panel Thickness

## Recommended Panel Cut-Out Dimensions inches (mm)

| Dim. Z                           | Dim. X          | Dim. Y           |
|----------------------------------|-----------------|------------------|
| 0.030 to 0.049<br>(0.75 to 1.25) | 1.19<br>(30.23) | 0.433<br>(11.00) |
| 0.049 to 0.079<br>(1.25 to 2.00) | 1.20<br>(30.48) | 0.433<br>(11.00) |
| 0.079 to 0.118<br>(2.00 to 3.00) | 1.21<br>(30.73) | 0.433<br>(11.00) |

## Ordering Information

| Code | Terminal type inches (mm) |
|------|---------------------------|
| F    | 0.250* (6.3) QC           |

| Code | Terminal type inches (mm) |
|------|---------------------------|
| F    | 0.250* (6.3) QC           |

| Code | Actuator Marking |
|------|------------------|
| B    | Blank            |
| C    | ⊖ ⊕              |
| D    | ⊖ ⊕              |
| E    | ⊖ ⊕              |
| F    | ⊖ ⊕              |

| Code | Actuator Type |
|------|---------------|
| 2    | Curve         |
| 5    | Flat Actuator |

| Code | Actuator Color |
|------|----------------|
| A    | Amber          |
| B    | Black          |
| G    | Green          |
| R    | Red            |
| W    | White          |
| Y    | Grey           |
| E    | Charcoal Grey  |

| Code | Housing Color |
|------|---------------|
| B    | Black         |
| W    | White         |
| Y    | Grey          |
| E    | Charcoal Grey |

| Code | Lighted                    |
|------|----------------------------|
| N    | Non-Lighted                |
| L    | Lighted (Bulb 125VAC)      |
| E    | Lighted (Bulb 250VAC)      |
| F    | Lighted 5VDC Incandescent  |
| G    | Lighted 6VDC Incandescent  |
| H    | Lighted 12VDC Incandescent |

| Code | Splashproof    |
|------|----------------|
| N    | No Rocker Boot |
| S    | Rocker Boot    |

| Code | Switch Function |
|------|-----------------|
| 2    | On - Off        |
| 3    | On - On         |
| 5    | (On) - Off      |
| 6    | (On) - On       |

| Code | Circuitry   |
|------|-------------|
| 2    | Single Pole |

| Code | Contact Rating  |
|------|---|
| G    | 16A, 125/250VAC; 1/4HP; 3/4HP 250VAC (UL)<br>16A, 125/250VAC; 1/4HP (CSA)<br>16(4)A, 250V~ T85/55 5E4 (VDE) |

| Code | Series |
|------|--------|
| TR   | Series |

## Examples of Common Part Numbers and Descriptions inches (mm)

| Part Number  | Circuitry | Switch Function  | Terminal Type                | Actuator/Housing Color | Legend Marking |
|--------------|-----------|------------------|------------------------------|------------------------|----------------|
| TRG22F2FBBNN |           | On - Off         | 0.250 (6.3)<br>Quick-Connect | Black/Black            |                |
| TRG23F2BBBNN |           | On - On          | 0.250 (6.3)<br>Quick-Connect | Black/Black            |                |
| TRG22F2BBRLN |           | On - Off/Lighted | 0.250 (6.3)<br>Quick-Connect | Red/Black              |                |

## Contact

Call, fax or visit our Website for more information.

**ZF Electronics Corporation**  
11200 88th Avenue  
Pleasant Prairie, WI 53158

Phone: 262.942.6500  
Web: [www.cherrycorp.com](http://www.cherrycorp.com)  
Email: [cep\\_sales@zf.com](mailto:cep_sales@zf.com)  
Fax: 262.942.6566

The manufacturer accepts no liability for errors or non-availability, and reserves the right to change specifications without prior notice.

Technical data relates to product specifications only. Features may differ from those described. Only drawings combined with product specifications shall be deemed binding.

© 2007 ZF Electronics Corporation

Last Updated: 1/20/11

