

NEMA line Outlet 5-15R, Snap-in Mounting, Front Side, Solder Terminal



### Description

- Panel Mount:  
Snap-in, Front-Side
- 1 Function:  
Line Outlet, Protection class II
- Solder

### Approvals

- UL File Number: E132269
- CSA File Number: 73690

### Characteristics

- Designed for standard applications

### References

Alternative: Version in protection class I 0709

### Weblinks

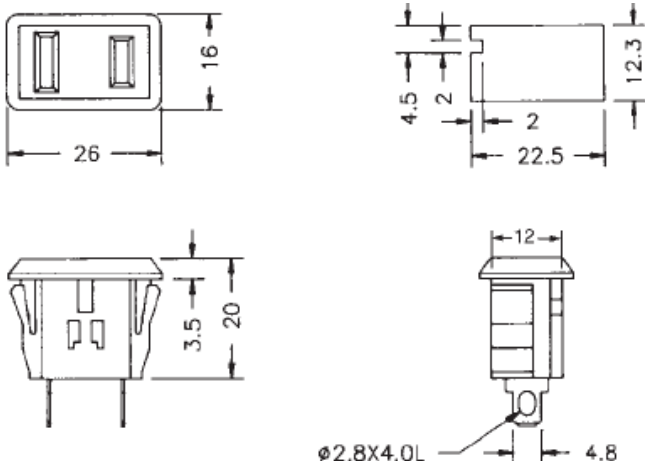
[pdf](#), [General Product Information](#), [Approvals](#), [RoHS](#), [CHINA-RoHS](#), [Mating Connectors](#), [e-Store](#), [SCHURTER-Stock-Check](#), [Distributor-Stock-Check](#), [Accessories](#)

### Technical Data

Ratings IEC	15 A / 250 VAC; Hz
Ratings UL/CSA	15 A / 125 VAC; 60 Hz
Allowable Operation Temp.	-40 °C to 85 °C
Degree of Protection	from front side IP 20 acc. to IEC 60529
Protection Class	Suitable for appliances with protection class 2 acc. to IEC 61140
Terminal	Solder terminals
Panel Thickness s	Snap-in 0.8 mm to 1.5 mm
Material: Housing	Thermoplastic, black

### Dimensions

27 mm



### Variants

Type	Protection Class	Panel mounting	Panel Thickness s [mm]	Terminal	Order Number
0715	2	Snap-in	0.8 to 1.5	Solder	4300.0705

Packaging unit 50 Pcs

## Mating Inlets/Plugs

### Category / Description



[Power Supply Cord Overview complete](#)

Power Supply Cord with NEMA 1-15 Power (Mains) Plug 2-pole, Straight 4190

Power Supply Cord with NEMA 1-5p Power (Mains) Plug polarized, 2-pole, Straight 4191

[Power Supply Cord further types to 0715](#)



[Power Supply or Interconnection Cord Overview complete](#)

Divers Power Supply and Interconnection Cords 2.5 A CS01.0221.150

Divers Power Supply and Interconnection Cords 2.5 A CS02.0221.150

[Power Supply or Interconnection Cord further types to 0715](#)