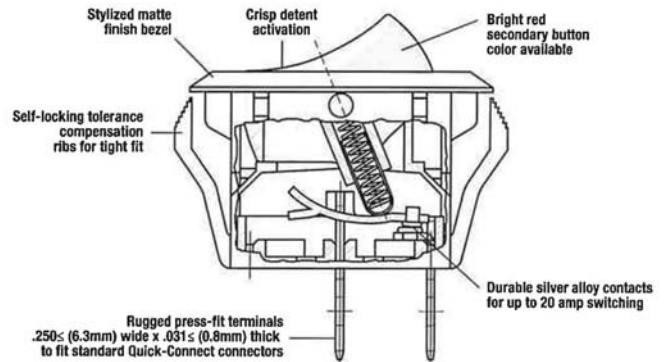


# Single-Pole Rocker Switch CR Series



## Features

- Rugged design to switch up to 20 amps
- 2-color molded button available
- Fits 3 panel cut-out widths
- Splash-proof option available
- Mechanical life: min. 100,000 operations

Electrical Ratings				
Switch Series	EN61058 Rating	UL1054 Rating	Electrical Life at Rated Load	
			According to VDE (Min. Operations)	According to UL (Min. Operations)
CR	16(4)A, 250V~, T125	20A, 125 VAC; 16A 250VAC; 3/4HP 250VAC	10,000	6,000

Electrical Specifications		Material Specifications	
<b>Ratings:</b>	20A, 125VAC; 16A 250VAC; 3/4HP 250VAC (UL) 20A, 125VAC; 16A 250VAC (CSA) 16(4)A, 250V~, T125 (VDE)	<b>Actuator (non-lighted):</b>	Nylon 66 94V-2
<b>Dielectric Strength:</b>	1000VAC for 1 minute	<b>(lighted):</b>	Polycarbonate
<b>Insulation Resistance:</b>	100M ohms min at 500VDC	<b>Base:</b>	Nylon 66 94V-2
<b>Initial Contact Resistance:</b>	0.020 ohms max	<b>Spring:</b>	Steel Wire
<b>Temperature Range:</b>	-20°C to + 85°C	<b>Contacts:</b>	Silver Alloy
		<b>Movable Arm:</b>	Silver-Plated Copper Alloy
		<b>Terminals:</b>	Tin-Plated Copper Alloy

RoHS Compliant  
UL File No: E23301

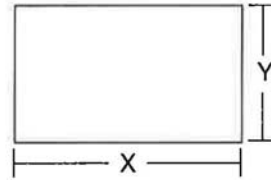
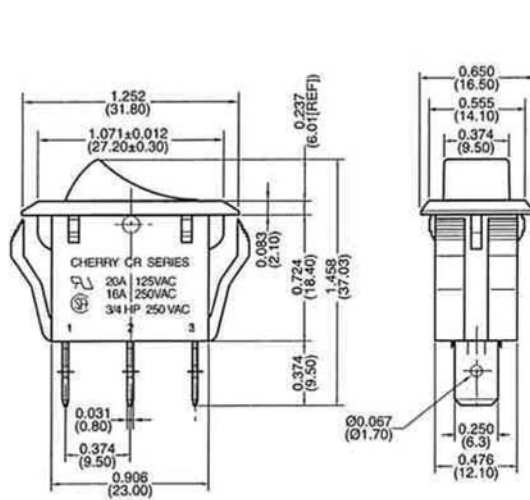


Specifications subject to change without notice.



# Single-Pole Rocker Switch CR Series

## Dimensions inches (mm)



Z = Panel Thickness

## Recommended Panel Cut-Out Dimensions inches (mm)

Dim. Z	SUFFIX E		SUFFIX F		SUFFIX G or W	
	Dim. X	Dim. Y	Dim. X	Dim. Y	Dim. X	Dim. Y
0.030 to 0.049 (0.75 to 1.25)	1.120 (28.49)	0.476 (12.10)	1.120 (28.49)	0.528 (13.41)	1.120 (28.49)	0.543 (13.80)
0.049 to 0.079 (1.25 to 2.00)	1.130 (28.70)	0.476 (12.10)	1.130 (28.70)	0.528 (13.41)	1.130 (28.70)	0.543 (13.80)
0.079 to 0.118 (2.00 to 3.00)	1.150 (29.21)	0.476 (12.10)	1.150 (29.21)	0.528 (13.41)	1.150 (29.21)	0.543 (13.80)

## Ordering Information

<b>CR</b> Series	<b>E</b>	<b>2</b> Code 2 Circuitry Single Pole	<b>2</b> Code 2 Switch Function On - Off	<b>F</b> Code 2 Actuator Type Curve	<b>F</b> Code 2 Actuator Marking Blank	<b>B</b> Code B Housing Color Black	<b>N</b> Code N Lighted Non-Lighted
<b>E</b> Code Contact Rating 20A, 125VAC; 16A 250VAC; 3/4HP 250VAC (LL) 20A, 125VAC; 16A 250VAC (CSA) 16(4)A, 250V~, T125 (VDE)		<b>F</b> Code Terminal type inches (mm) F 0.250" (6.3) QC T 0.250 (6.3) Solder Tag		<b>B</b> Code Actuator Color A Amber B Black E Charcoal Grey G Green R Red W White Y Grey S Semi-transparent Red (nylon)		<b>N</b> Code Splashproof E 0.476 (12.10) Non-Washable F 0.528 (13.41) Non-washable G 0.543 (13.79) Non-washable W* 0.543(13.79) Washable - IP42	
						*Note: Washable versions not lighted	

## Examples of Common Part Numbers and Descriptions inches (mm)

Part Number	Circuitry	Switch Function	Terminal Type	Actuator/ Housing Color	Legend Marking
CRE22F2FBBNE		On - Off	0.250 (6.3) Quick-Connect	Black/Black	
CRE22F4BBBNE		On - Off	0.250 (6.3) Quick-Connect	Red-Black/Black	
CRE24F2HBBNE		On - Off - On	0.250 (6.3) Quick-Connect	Black/Black	
CRE22F2BBRLE		On - Off/Lighted	0.250 (6.3) Quick-Connect	Red/Black	
CRE22F4BBBNW		On - Off	0.250 (6.3) Quick-Connect	Red-Black/Black Splash-Proof	

## Contact

Call, fax or visit our Website for more information.

**ZF Electronics Corporation**  
11200 88th Avenue  
Pleasant Prairie, WI 53158

Phone: 262.942.6500  
Web: [www.cherrycorp.com](http://www.cherrycorp.com)  
Email: [cep\\_sales@zf.com](mailto:cep_sales@zf.com)  
Fax: 262.942.6566

The manufacturer accepts no liability for errors or non-availability, and reserves the right to change specifications without prior notice.

Technical data relates to product specifications only. Features may differ from those described. Only drawings combined with product specifications shall be deemed binding.

© 2007 ZF Electronics Corporation

Last Updated: 1/20/11

