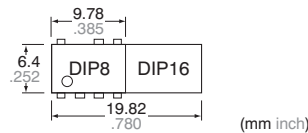


FEATURES

1. Compact DIP type SSR that's ideal for AC load control
2. Supports 0.3 A, 0.6 A, 0.9 A and 1.2 A ON-state RMS currents.
3. The 1.2 A type saves space with a DIP 8-pin package.

5. High dielectric strength: 5,000 V AC (between input and output)
6. Two types available: Zero-cross type and Random type



4. Handles both 100 and 200 V AC loads
This relay handles both voltages in a single product. It is not necessary for users that use both types to manage separate part numbers.

TYPICAL APPLICATIONS

1. Home appliances (air conditioner, microwave oven, washing machine, personal hygiene system, refrigerator, fan heater, inductive heating cooker, rice cooker and humidifier, etc.)
2. Industrial equipment

TYPES

Type	Output rating*		Type	Part No.				Packing quantity	
				Through hole terminal	Surface-mount terminal			Tube	Tape and reel
	Tube packing style				Tape and reel packing style				
Repetitive peak OFF-state voltage	ON-state RMS current		Picked from the 1/2/3/4-pin side	Picked from the 5/6/8-pin side					
AC type	600 V	Zero-cross	0.3 A	AQH0213	AQH0213A	AQH0213AX	AQH0213AZ	1 tube contains 50 pcs. 1 batch contains 500 pcs.	1,000 pcs.
			0.6 A	AQH1213	AQH1213A	AQH1213AX	AQH1213AZ		
			0.9 A	AQH2213	AQH2213A	AQH2213AX	AQH2213AZ		
			1.2 A	AQH3213	AQH3213A	AQH3213AX	AQH3213AZ		
		Random	0.3 A	AQH0223	AQH0223A	AQH0223AX	AQH0223AZ		
			0.6 A	AQH1223	AQH1223A	AQH1223AX	AQH1223AZ		
			0.9 A	AQH2223	AQH2223A	AQH2223AX	AQH2223AZ		
			1.2 A	AQH3223	AQH3223A	AQH3223AX	AQH3223AZ		

*Indicate the repetitive peak OFF-state voltage and ON-state RMS current: peak AC.
Note: For space reasons, the SMD terminal shape indicator "A" and the package type indicator "X" and "Z" are omitted from the seal.

RATING

1. Absolute maximum ratings (Ambient temperature: 25°C 77°F)

Item	Symbol	AQH0213, AQH0223	AQH1213, AQH1223	AQH2213, AQH2223	AQH3213, AQH3223	Remarks
Input	LED forward current	I _F 50 mA				
	LED reverse voltage	V _R 6 V				
	Peak forward current	I _{FP} 1 A				f = 100 Hz, Duty Ratio = 0.1%
Output	Repetitive peak OFF-state voltage	V _{DRM} 600 V				
	ON-state RMS current	I _{T(RMS)} 0.3 A	0.6 A	0.9 A	1.2 A	
	Non-repetitive surge current	I _{TSM} 3 A	6 A	9 A	12 A	60Hz, 1 cycle
I/O isolation voltage	V _{iso}	5,000 V AC				
Temperature limits	Operating	T _{opr} -30°C to +85°C -22°F to +185°F				Non-condensing at low temperatures
	Storage	T _{stg} -40°C to +125°C -40°F to +257°F				

Note: "A", "AX" and "AZ" at the end of the part numbers have been omitted.

AQ-H

2. Electrical characteristics (Ambient temperature: 25°C 77°F)

Item		Symbol	AQH0213, AQH1213, AQH2213, AQH3213	AQH0223, AQH1223, AQH2223, AQH3223	Condition
Input	LED dropout voltage	Typical	1.21 V		$I_F = 20 \text{ mA}$
		Maximum	1.3 V		
Input	LED reverse current	Typical	—		$V_R = 6 \text{ V}$
		Maximum	10 μA		
Output	Peak OFF-state current	Typical	—		$I_F = 0 \text{ mA}$ $V_{\text{DRM}} = 600 \text{ V}$
		Maximum	100 μA		
	Peak ON-state voltage	Typical	—		$I_F = 10 \text{ mA}$ $I_{\text{TM}} = \text{Max.}$
		Maximum	2.5 V		
Holding current	Typical	—			
	Maximum	25 mA			
	Critical rate of rise of OFF-state voltage	Minimum	200 V/ μs		$V_{\text{DRM}} = 600 \text{ V} \times 1/M2$
Transfer characteristics	Trigger LED current	Maximum	10 mA		$V_D = 6 \text{ V}$ $R_L = 100 \Omega$
	Zero-cross voltage	Maximum	50 V		$I_F = 10 \text{ mA}$
	Turn on time*	Maximum	100 μs		$I_F = 20 \text{ mA}$ $V_D = 6 \text{ V}$ $R_L = 100 \Omega$
	I/O isolation resistance	Minimum	50 G Ω		500 V DC

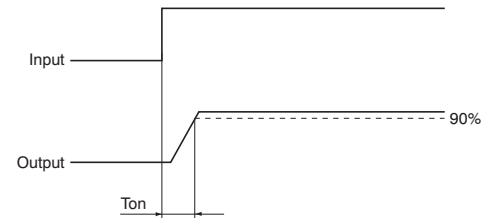
Notes: 1. For type of connection, see page 3.
2. "A", "AX" and "AZ" at the end of the part numbers have been omitted.

RECOMMENDED OPERATING CONDITIONS

Please follow the conditions below in order to ensure accurate operation and release of the phototriac coupler.

Item	Symbol	Value	Unit
Input LED current	I_F	20	mA

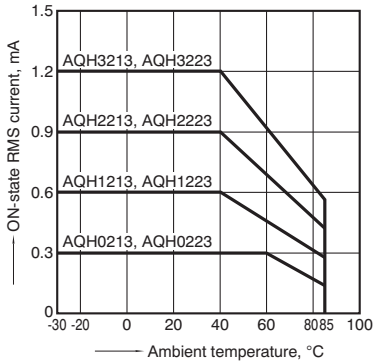
*Turn on time



REFERENCE DATA

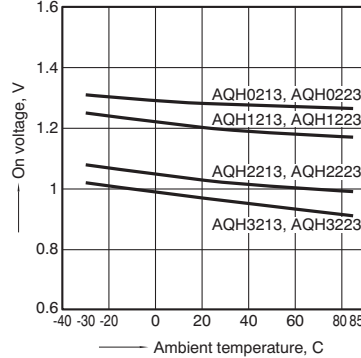
1. ON-state RMS current vs. Ambient temperature characteristics

Allowable ambient temperature:
-30°C to +85°C -22°F to +185°F



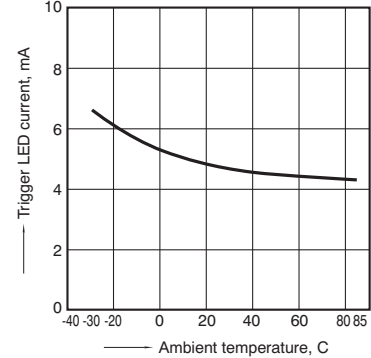
2. On voltage vs. Ambient temperature characteristics

LED current: 10 mA; ON current: Max.
Measured portion: between terminals 6 and 8



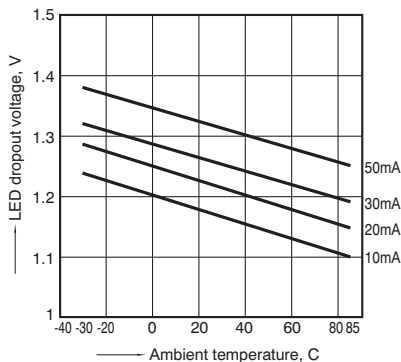
3. Trigger LED current vs. Ambient temperature characteristics

Load voltage: 6 V DC;
Load resistance: 100 Ω



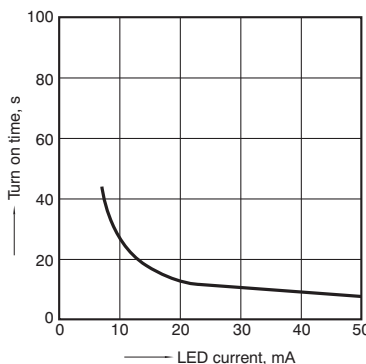
4. LED dropout voltage vs. Ambient temperature characteristics

LED current: 10 to 50 mA



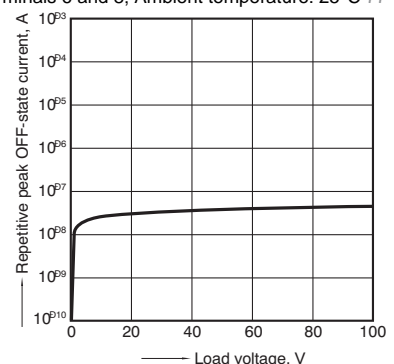
5. Turn on time vs. LED current characteristics

Load voltage: 6 V DC; Load resistance: 100 Ω
Measured portion: between terminals 6 and 8

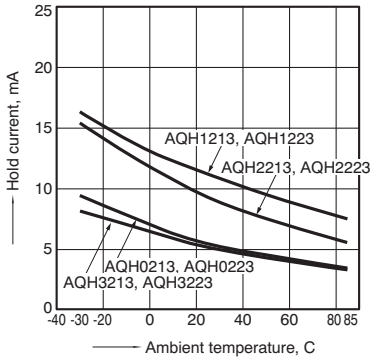


6. Repetitive peak OFF-state current vs. Load voltage characteristics

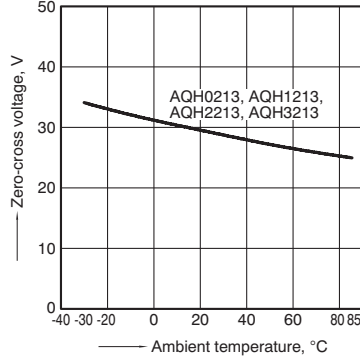
LED current: 0 mA; Measured portion: between terminals 6 and 8; Ambient temperature: 25°C 77°F



7. Hold current vs. Ambient temperature characteristics



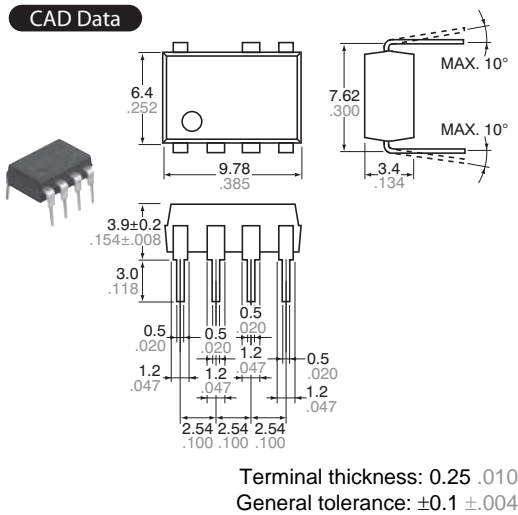
8. Zero-cross voltage vs. Ambient temperature characteristics
LED current: 10 mA



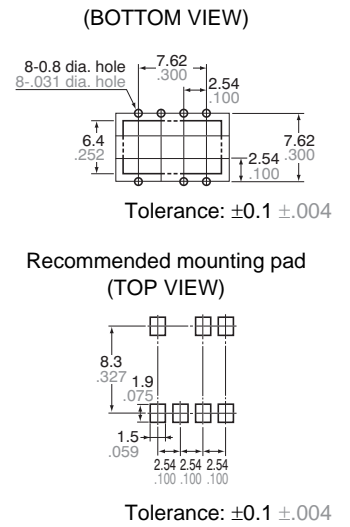
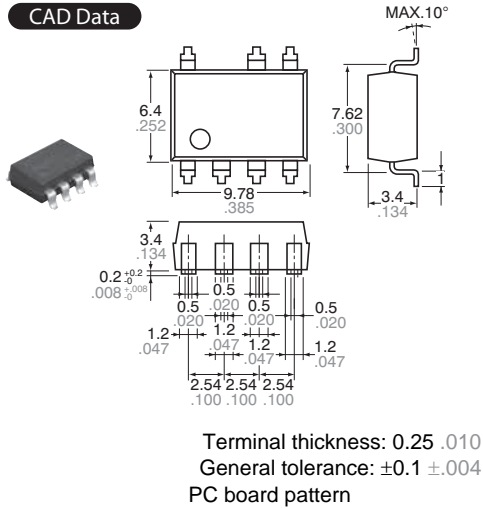
DIMENSIONS (mm inch)

Interested in CAD data? You can obtain CAD data for all products with a **CAD Data** mark from [your local Panasonic Electric Works representative](#).

Through hole terminal type

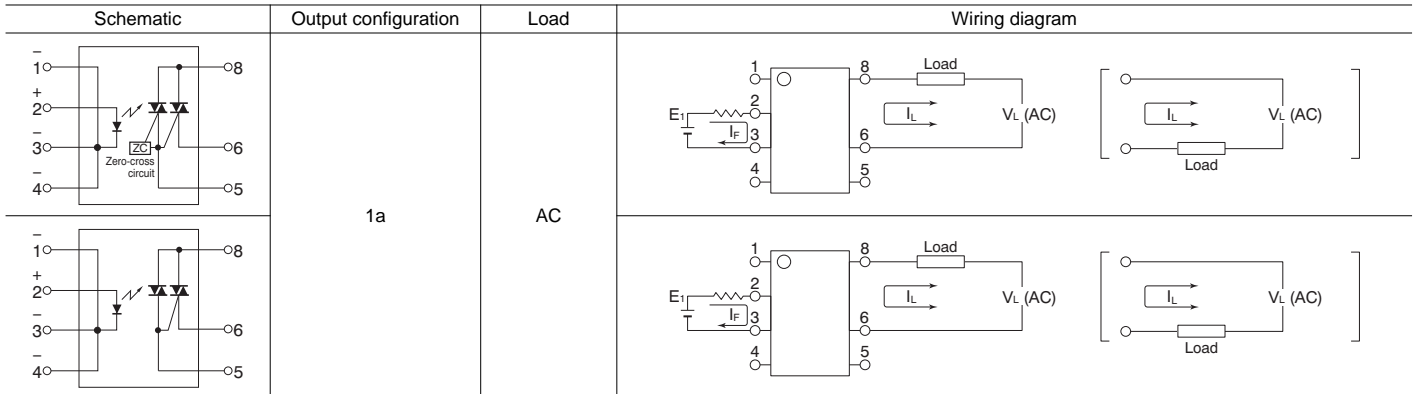


Surface mount terminal type



SCHEMATIC AND WIRING DIAGRAMS

Notes: E_I: Power source at input side; I_F: Trigger LED forward current; V_L: Load voltage; I_L: Load current;



See special section on AQ-H in Cautions for Use