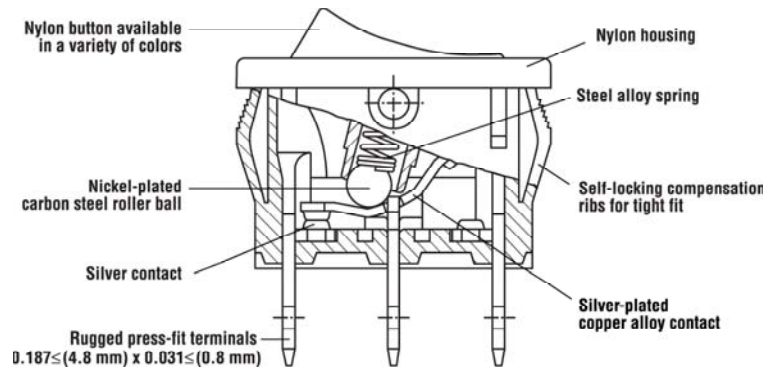


# Double-Pole Rocker Switch FR Series



## Features

- 12 amp switching in a compact design
- Single-throw and double-throw options
- Choice of actuator and housing color
- Mechanical life: min. 50,000 operations

Electrical Ratings				
Switch Series	EN61058 Rating	UL1054 Rating	Electrical Life at Rated Load	
			According to VDE (Min. Operations)	According to UL (Min. Operations)
FR	16(4)A, 250V~, T125/55	12A, 125/250VAC	10,000	6,000

Electrical Specifications		Material Specifications	
<b>Ratings:</b>	12A, 125/250VAC (cULus) 16A, (4) 250V~, T125/55 (VDE)	<b>Actuator:</b>	Nylon 66 94V-2
<b>Dielectric Strength:</b>	1000VAC for 1 minute	<b>Base:</b>	Nylon 66 94V-2
<b>Insulation Resistance:</b>	100M ohms min at 500VDC	<b>Spring:</b>	Steel Wire
<b>Initial Contact Resistance:</b>	0.030 ohms max	<b>Contacts:</b>	Silver Alloy
<b>Temperature Range:</b>	-20°C to + 125°C (VDE) -20°C to + 55°C (UL)	<b>Movable Arm:</b>	Silver-Plated Copper Alloy
		<b>Terminals:</b>	Tin-Plated Copper Alloy



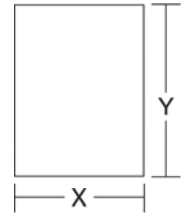
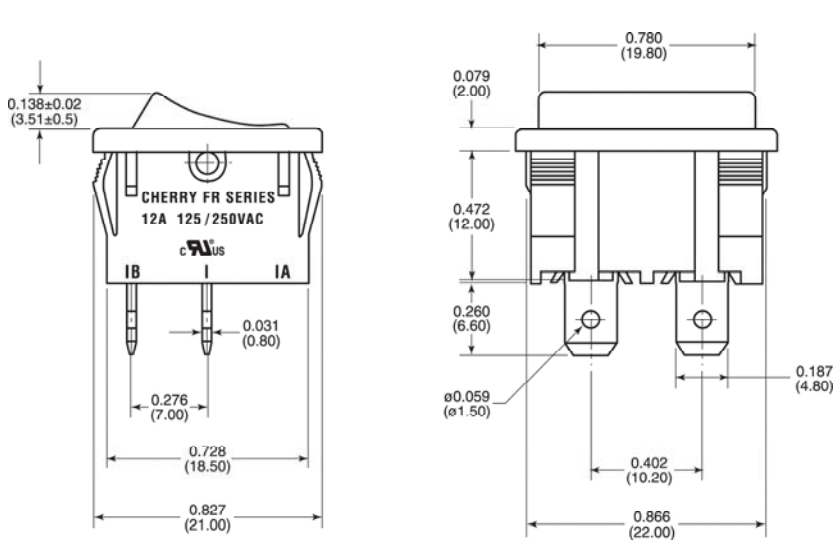
RoHS Compliant  
UL File No: E23301

Specifications subject to change without notice.



# Double-Pole Rocker Switch

## FR Series



### Recommended Panel Cut-Out Dimensions

inches (mm) ±0.002 (0.005)

Dim. Z	Dim. X	Dim. Y
0.030 to 0.049 (0.76 to 1.25)	0.752 (19.15)	0.862 (21.90)
0.049 to 0.079 (1.24 to 2.00)	0.760 (19.35)	0.862 (21.90)
0.079 to 0.118 (2.01 to 3.00)	0.775 (19.75)	0.862 (21.90)

### Ordering Information

<b>FR</b> Series	<b>H</b> Code	<b>2</b> Circuitry	<b>2</b> Code	<b>2</b> Switch Function	<b>A</b> Code	<b>2</b> Actuator Type	<b>F</b> Code	<b>B</b> Housing Color	<b>B</b> Code	<b>N</b> Lighted	<b>N</b> Code	<b>N</b> Body Type
		2 Single-Pole 3 Double-Pole		2 On - Off 3 On - On		2 Curve - One Color		B Black W White Y Grey		N Non-Lighted		N No Splashproof Rocker Boot
	<b>H</b> Code	<b>12A 125/250VAC (UL, cUL) 16(4)A 250V~ T125 (VDE)</b> Contact Rating		<b>A</b> Code	<b>0.187 (4.80) Quick-Connect</b> Terminal Type inches (mm)	<b>B</b> Code	<b>Blank</b> Actuator Marking		<b>B</b> Code	<b>Black</b> Actuator Color		
				<b>U</b> Code	<b>0.118 (3.0) Solder Tag</b> Terminal Type inches (mm)	<b>C</b> Code	<b>LO HI</b> Actuator Marking		<b>D</b> Code	<b>Orange</b> Actuator Color		
						<b>D</b> Code	<b>OFF ON</b> Actuator Marking		<b>G</b> Code	<b>Green</b> Actuator Color		
						<b>E</b> Code	<b>O I</b> Actuator Marking		<b>R</b> Code	<b>Red</b> Actuator Color		
						<b>F</b> Code	<b>O -</b> Actuator Marking		<b>W</b> Code	<b>White</b> Actuator Color		
						<b>G</b> Code	<b>•</b> Actuator Marking		<b>Y</b> Code	<b>Grey</b> Actuator Color		

### Examples of Common Part Numbers and Descriptions inches (mm)

Part Number	Circuitry	Switch Function	Terminal Type	Actuator/ Housing Color	Legend Marking
FRH32A2DBBNN		On - Off	0.187 (4.80) Quick-Connect	Black/ Black	
FRH33A2BBBNN		On - On	0.187 (4.80) Quick-Connect	Black/ Black	
FRH32A2BBBNN		On - Off	0.187 (4.80) Quick-Connect	Black/ Black	
FRH32A2FWWNN		On - Off	0.187 (4.80) Quick-Connect	White/ White	
FRH32A2BBWNN		On - Off	0.187 (4.80) Quick-Connect	White/ Black	
FRH32A2FBBNN		On - Off	0.187 (4.80) Quick-Connect	Black/ Black	

### Contact

Call, fax or visit our Website for more information.

**ZF Electronics Corporation**  
11200 88th Avenue  
Pleasant Prairie, WI 53158

Phone: 262.942.6500  
Web: [www.cherrycorp.com](http://www.cherrycorp.com)  
Email: [cep\\_sales@zf.com](mailto:cep_sales@zf.com)  
Fax: 262.942.6566

The manufacturer accepts no liability for errors or non-availability, and reserves the right to change specifications without prior notice.

Technical data relates to product specifications only. Features may differ from those described. Only drawings combined with product specifications shall be deemed binding.

© 2007 ZF Electronics Corporation  
Last Updated: 1/20/11

