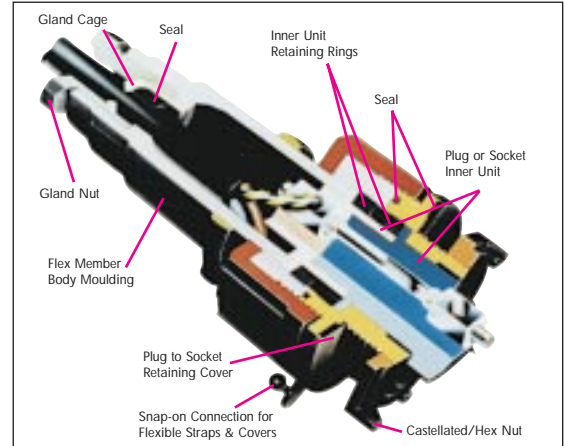


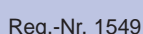




# Buccaneer® Standard Sealed Connectors

CONNECTORS



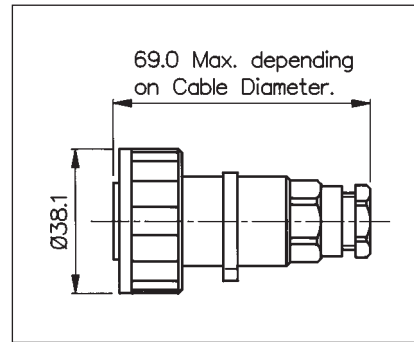
Data		
Ratings:	2 & 3 Pole 4 Pole 6 & 7 Pole 9 Pole 25 Pole	10A 250V a.c./d.c. 6A 250V a.c./d.c. 3A 250V a.c./d.c. 5A 150V a.c./d.c. 1A 50V a.c./d.c.
Contact Resistance:	<10mΩ (2-9 pole) <5mΩ (25 pole)	
Insulation Resistance:	>10 <sup>4</sup> MΩ @ 500V d.c. (2 - 9 Pole)	
A.C. Breakdown Voltage:	4kV Pole - Pole (2 - 9 Pole) 6kV Poles - Panel (Low Profile Flange & Chassis Types 2 - 9 Pole) 7.5kV Poles - Panel (Other Types 2 - 9 Pole)	
Operating Temp. Range:	-20°C to +70°C	
Sealing:	IP68, BS 5490 : 1977 BS 60529 : 1992 Tested@15lb/sq. in. (10m depth) for 2 Wks. Tested@150lb/sq. in. (100m depth) for 12 Hrs.	
Materials: Body Moulding & Inserts: Contacts:	Glass Filled Nylon, UL94HB (2 - 9 Pole) Nylon, UL94V-0 (25 Pole Inserts) Brass, Nickel Plated (2 - 7 Pole) Copper Alloy, Tin Plated (9 Pole) Copper Alloy, Gold Plated (25 Pole) 0.1µm on Nickel	
BNC Inserts: BNC Contacts:	Brass, Nickel Plated Brass, Silver Plated	
Cable Acceptance:	6 - 8mm Overall dia. Standard 2 - 9 Pole, Optional 25 Pole 3.5 - 5mm Overall dia. Optional 2 - 9 Pole, Optional 25 Pole 5 - 7 mm Overall dia. Optional 2 - 9 Pole, Optional 25 Pole 7 - 9mm Overall dia. Optional 2 - 9 Pole, Standard 25 Pole 50Ω - RG 58/CU, URM43, & URM76 BNC 75Ω - URM70 BNC	
Terminations:	Screw Terminal. 2 - 7 pole. Crimp Contacts (24 - 28AWG). 9 pole. Crimp and Solder Contacts (0.21mm <sup>2</sup> - 0.081mm <sup>2</sup> ) 25 pole. Crimp. BNC.	
Approvals:	  	
Tightening Torques Flex mounting/In-Line: Panel/Chassis Mounting: Surface/Bulkhead and Low Profile Flange Mounting: Sealing Caps/Locking Ring:	Gland nut: 1.13Nm (10lbf. in.) Rear fixing nut: 1.7Nm (15lbf. in.) 4 fixing screws (using washers supplied) 0.34Nm (3lbf. in) 1.13Nm (10lbf. in)	





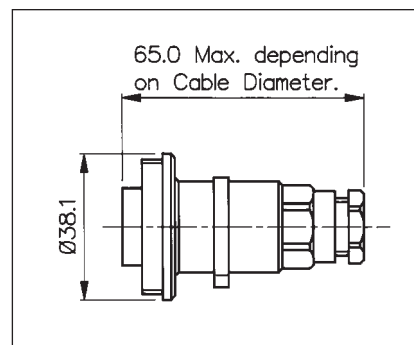
**Flex Mounting**

Poles	List No. Plug	List No. Socket
2	PX0736/P	PX0736/S
3	PX0731/P	PX0731/S
4	PX0748/P	PX0748/S
6	PX0739/P	PX0739/S
7	PX0745/P	PX0745/S
9*	PX0728/P	PX0728/S
25†	PX0820/P	PX0820/S
50ΩBNC**	PX0742/P/50Ω	
75ΩBNC**	PX0742/P/75Ω	



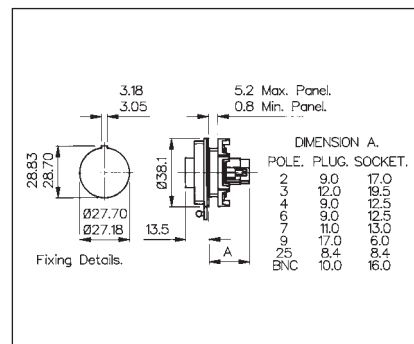
**Flex Mounting In-Line Connector**

Poles	List No. Plug	List No. Socket
2	PX0737/P	PX0737/S
3	PX0732/P	PX0732/S
4	PX0749/P	PX0749/S
6	PX0740/P	PX0740/S
7	PX0746/P	PX0746/S
9*	PX0729/P	PX0729/S
25†	PX0821/P	PX0821/S
50ΩBNC**		PX0743/S/50Ω
75ΩBNC**		PX0743/S/75Ω



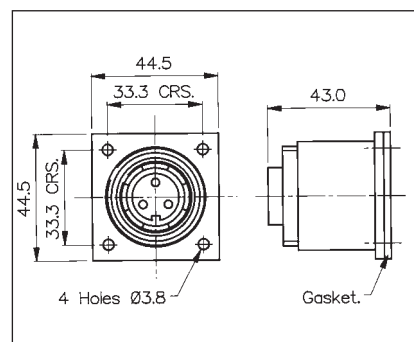
**Chassis Mounting**

Poles	List No. Plug	List No. Socket
2	PX0735/P	PX0735/S
3	PX0730/P	PX0730/S
4	PX0747/P	PX0747/S
6	PX0738/P	PX0738/S
7	PX0744/P	PX0744/S
9*	PX0727/P	PX0727/S
25†	PX0822/P	PX0822/S
50ΩBNC**		PX0741/S/50Ω
75ΩBNC**		PX0741/S/75Ω



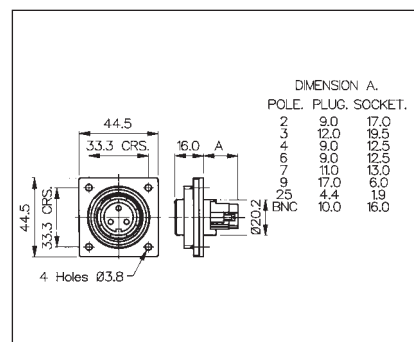
**Bulkhead/ Surface Mounting**

Poles	List No. Plug	List No. Socket
2	PX0757/P	PX0757/S
3	PX0756/P	PX0756/S
4	PX0761/P	PX0761/S
6	PX0758/P	PX0758/S
7	PX0760/P	PX0760/S
9*	PX0762/P	PX0762/S
25†	PX0823/P	PX0823/S
50ΩBNC**		PX0759/S/50Ω
75ΩBNC**		PX0759/S/75Ω



**Low Profile Flange Mounting**

Poles	List No. Plug	List No. Socket
2	PX0764/P	PX0764/S
3	PX0765/P	PX0765/S
4	PX0766/P	PX0766/S
6	PX0767/P	PX0767/S
7	PX0768/P	PX0768/S
9*	PX0769/P	PX0769/S
25†	PX0824/P	PX0824/S
50ΩBNC**		PX0763/S/50Ω
75ΩBNC**		PX0763/S/75Ω



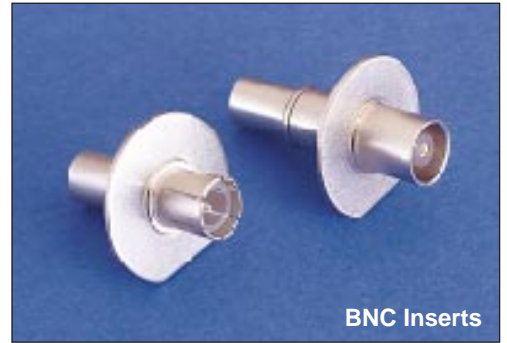
\* Crimp Pins and Sockets supplied loose with Connector.

\*\* For suitable Crimp Tool and Assembly Mandrel contact Sales Office.

† Pins supplied in packs of 10: Crimp Pins **SA3180**, Crimp Sockets **SA3179**, Solder Pins **SA3180/1**, Solder Sockets **SA3179/1**. Insertion and Extraction Tool - use **PNo13027**. Crimp Tool - use **PNo13170**.



25 way inserts  
(Assembled)



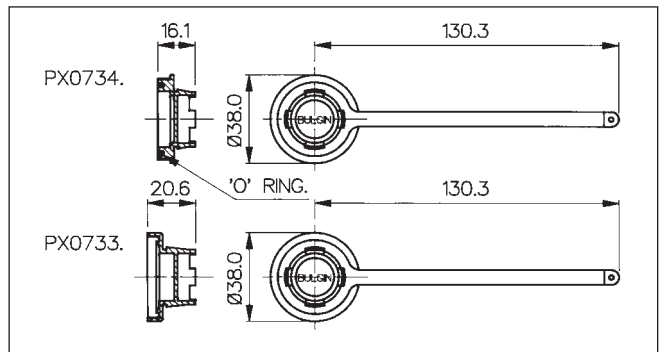
BNC Inserts



Cap Assembly Tools

PX0734  
Fits Flex  
Mounting  
types.

PX0733  
Fits all  
other  
types.



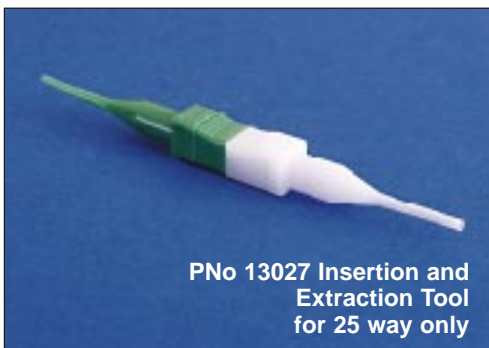
PNo. 12237 Cable Support Accessory

**12237 provides additional cable support. Suitable for 5-7mm and 7-9mm cables.**



Boot PNo. 12855

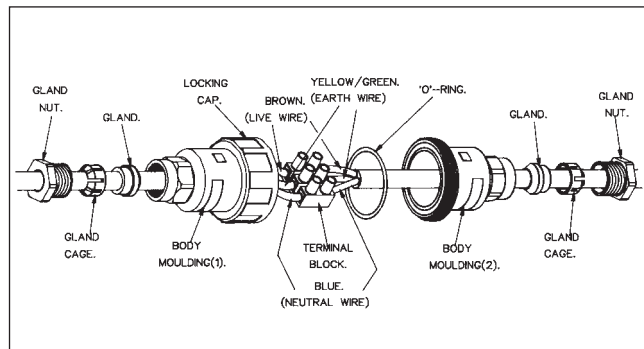
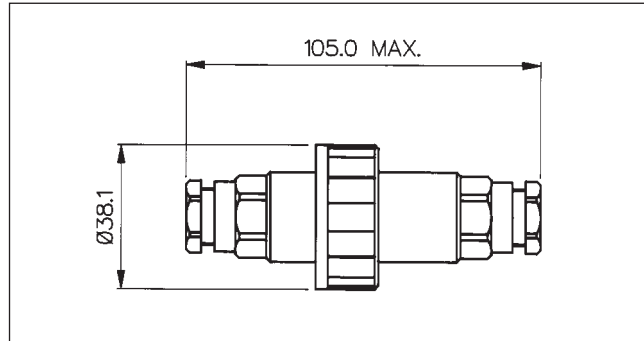
**12855 for chassis mounting types only.**



PNo 13027 Insertion and  
Extraction Tool  
for 25 way only

Cable Acceptance (2 - 25 pole)	List Nos. To Order Glands Separately
As fitted Ø 6-8mm (2 - 9 Pole)	12023 (Black)
List No./04 Ø 3.5-5mm	12023/5 (Grey)
List No./05 Ø 5-7mm	12023/1 (White)
List No./07 Ø 7-9mm (As fitted 25 Pole)	12023/2 (Yellow)
e.g. PX0731/P/07 = cable acceptance Ø 7-9mm	

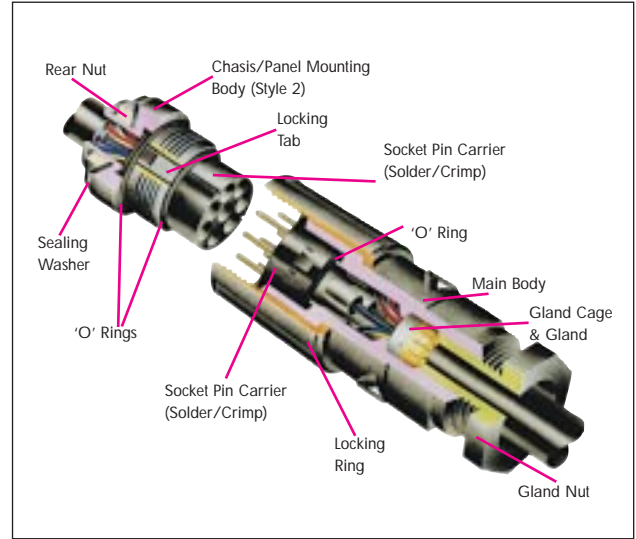




Data	
Rating:	6A, 250V a.c.
Wire Termination:	3 way terminal block.
Cable Acceptance:	6-8mm Overall Diameter Standard. 3.5 - 5mm, 5 - 7mm & 7 - 9mm Overall diameter optional.
Sealing:	IP68 to BS60529 : 1977
Operating Temp. Range:	-20°C to +70°C.
Colour:	Black Orange (Add /OR to List No.)
BNC Cable Types:	50 ohm - RG58/CU, URM43 & URM76, For BNC version of PX0777 add /50 ohm to List No.

Cable Acceptance	List Nos. To Order Glands Separately
As Fitted $\varnothing$ 6-8mm	12023 (Black)
List No. /04 $\varnothing$ 3.5 - 5 mm	12023/5 (Grey)
List No. /05 $\varnothing$ 5 - 7 mm	12023/1 (White)
List No. /07 $\varnothing$ 7 - 9 mm	12023/2 (Yellow)
E.g. PX0777/07 = Cable Acceptance $\varnothing$ 7-9mm	





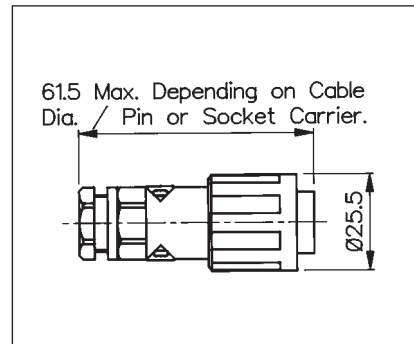
Data		
Rating:	Solder & Crimp Contacts : 5A. 380V a.c.	Screw Term: 10A. 250V a.c.
Contact Resistance:	< 5mΩ.	
Insulation Resistance:	>10 <sup>6</sup> M Ω @ 500V d.c.	
Voltage Proof:	2kV @ 50Hz	
Operating Temp. Range:	-20°C to +70°C	
Sealing:	IP 68 BS EN60529 : 1992 (Protection Classification).	
Materials	Body Mouldings, Carriers, Nylon UL94V-0. Contacts: Copper Alloy, Gold Plated (0.1µm) on Nickel. B.N.C. types: Brass, Silver Plated.	Screw Terminal Contacts: Brass, Nickel Plated.
Cable Acceptance	5 - 7mm Overall dia Standard 3.5 - 5mm Overall dia Optional 6 - 8 mm Overall dia Optional 7 - 9mm Overall dia Optional	
Conductors:	Solder & Crimp: 0.2 - 0.5mm <sup>2</sup> (20 - 24 AWG), 50Ω - RG58/CU BNC URM43 BNC URM76 BNC 75Ω - URM70 BNC	Screw Terminal: 1mm <sup>2</sup> Max (18 AWG)
Insertion Force (typical):	Solder and crimp contacts: 3 Way - 0.5kgf (1.1bf) 8 Way - 1.4kgf (3.1bf)	Screw Terminals: 10lbf (44.4N)
Withdrawal Force (typical):	Solder and crimp contacts: 3 Way - 0.5kgf (1.1bf) 8 Way - 1.2kgf (2.6bf)	Screw Terminals: 7lbf (31N)
Tightening Torques	Gland nut: 0.23Nm min. 0.45Nm max. (2lbf. in. min, 4lbf. in. max.) Rear nuts: 0.7Nm min. 1.7Nm max. (6.2lbf. in. min, 15lbf. in. max.) Sealing Caps/Locking Ring: 0.23Nm min, 1.13Nm max. (2lbf. in. min, 10lbf. in. max.)	





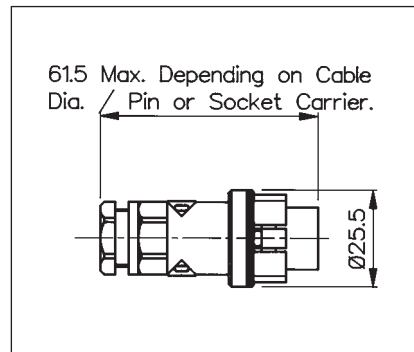
Flex Mounting Body

PX0800	
Contact Carriers	See Page 20
Contacts	See Page 20
Sealing Glands	For 5-7mm. dia. Cable.  For other sizes see page 20.



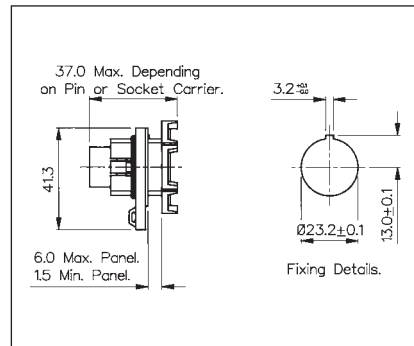
Flex Mounting In-Line Body

PX0801	
Contact Carriers	See Page 20
Contacts	See Page 20
Sealing Glands	For 5-7mm. dia. Cable.  For other sizes see Page 20.



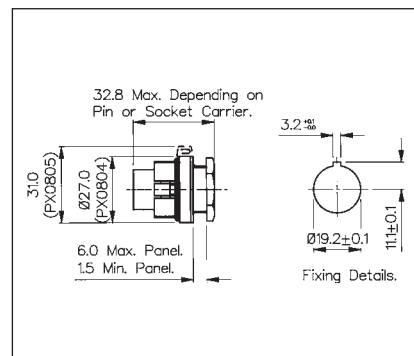
Panel/Chassis Mounting Body

PX0802	
Contact Carriers	See Page 20
Contacts	See Page 20



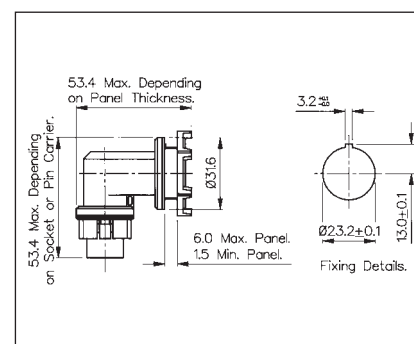
Panel/Chassis Mounting Body

PX0804, PX0805	
Contact Carriers	See Page 20
Contacts	See Page 20
PX0804	without cap retainer
PX0804	without cap retainer



Panel/Chassis Mounting Side Entry Body

PX0803	
Contact Carriers	See Page 20
Contacts	See Page 20
<b>Note: Not available as BNC Type</b>	



Certificate No. FM12622





Screw Terminals

Screw Terminal (10A)		
Ways	Socket	Plug
3 way	SA 3229	SA3230



Carriers shown fitted with contacts

Contact Carriers		
Pole	Solder	Crimp
8 pin	12734/1 (Black)	12734 (Grey)
8 skt	12735/1 (Black)	12735 (Grey)
3 pin	12734/3/1 (Black)	12734/3 (Grey)
3 skt	12735/3/1 (Black)	12735/3 (Grey)

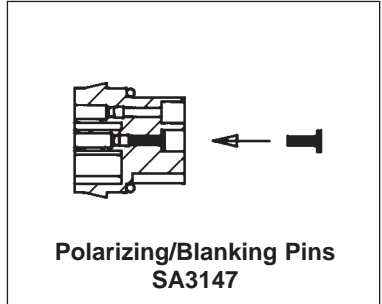


Contacts, Polarising/Blanking Pins

Contacts, Solder & Crimp		
Contacts	Solder	Crimp
Pins	SA3148/1	SA3148
Sockets	SA3149/1	SA3149
Polarising/Blanking Pins SA3147		
Contact Insertion Tool SA 3150 must be used to insert contacts into carrier.		
Crimping Tool SA2800		

### How To Order

- 1) Body Type.
- 2) Contact Carrier (Pin or Socket - Solder or Crimp), Contact Carrier 3 Way or BNC.
- 3) Pins or Sockets (Solder or Crimp). Supplied in packs of ten.
- 4) Sealing Cap (if required)
- 5) Polarising/Blanking Pins (if required). Supplied in packs of ten.
- 6) Contact Insertion Tool (if required).
- 7) Crimping Tool (if required).



BNC (Assembled)

BNC		
Imp.	Contacts	List No.
50Ω	Plug	SA3159/1
50Ω	Socket	SA3157/1
75Ω	Plug	SA3159
75Ω	Socket	SA3157



Sealing Caps

