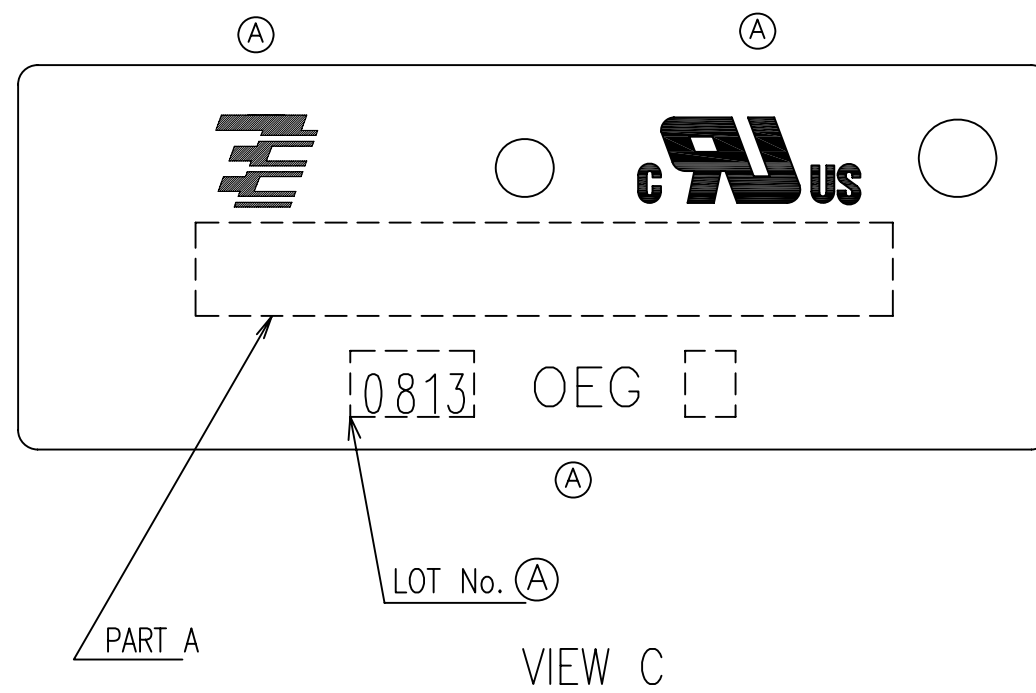
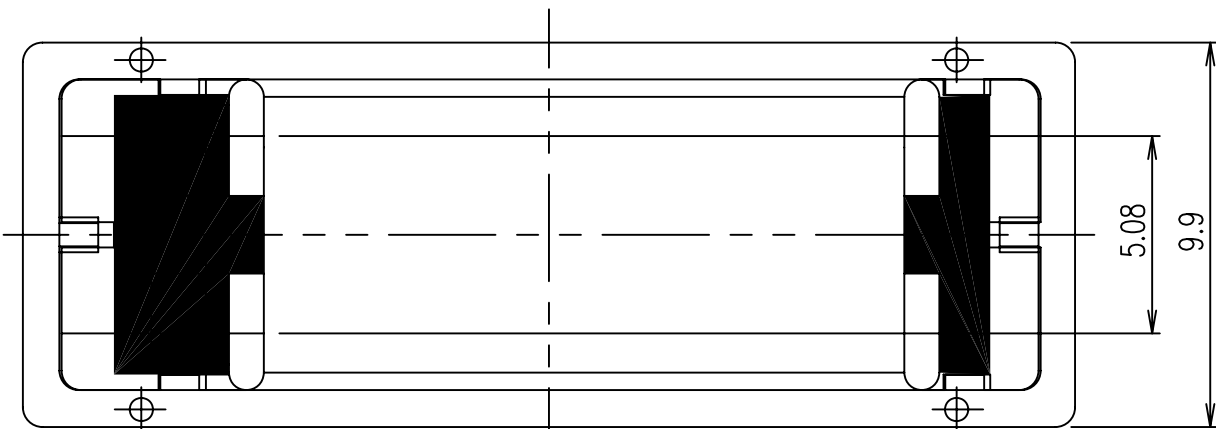
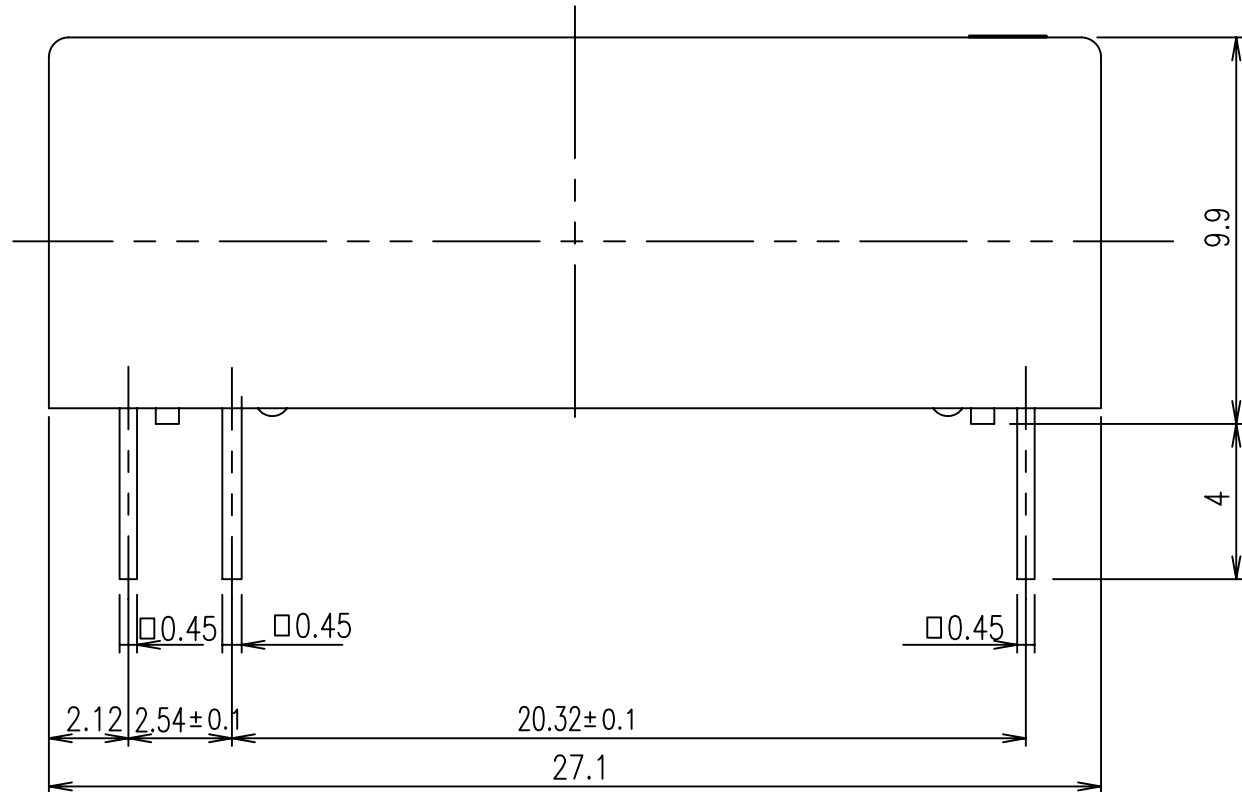
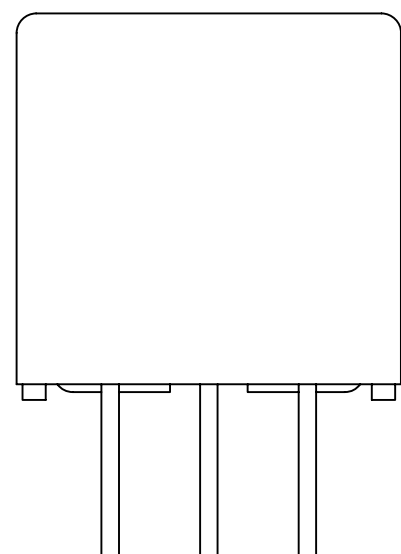


THIS DRAWING IS UNPUBLISHED. RELEASED FOR PUBLICATION
 © COPYRIGHT BY TYCO ELECTRONICS CORPORATION. ALL RIGHTS RESERVED.

LOC DIST
 HB

REVISIONS					
P	LTR	DESCRIPTION	ECN	DATE	DWN APVD
	O	RELEASE & CHANGE Pb FREE	FK00-0189-04	01-NOV-04	H.S A.N
	A	CHANGE NEW LOGO AND DATE CODE	ECO-08-007865	15-SEP-08	MH.L BH.Y



2-1440000-6	OMR-C-112H	OMR-C-112H	c
2-1440000-4	OMR-C-109H	OMR-C-109H	b
2-1440000-2	OMR-C-105H	OMR-C-105H	a
TE PART NO	EC TYPE NO	PART A	TYPE

RELAY TYPE

THIS DRAWING IS A CONTROLLED DOCUMENT FOR TYCO ELECTRONICS CORPORATION
 IT IS SUBJECT TO CHANGE AND THE CONTROLLING ENGINEERING ORGANIZATION
 SHOULD BE CONTACTED FOR THE LATEST REVISION.

DIMENSIONS: mm	TOLERANCES UNLESS OTHERWISE SPECIFIED: 0 PLC ± 1 PLC ± 2 PLC ± 3 PLC ± 4 PLC ± ANGLES ±
MATERIAL	FINISH

DWN H.SASAKI	Tyco Electronics Tyco Electronics Corporation ShenZhen, China		
CHK Y.OIKAWA			
APVD A.NAGAI	NAME		
PRODUCT SPEC	OMR CUSTOMER DRAWING		
APPLICATION SPEC	SIZE A3	CAGE CODE 00779	DRAWING NO 2-1440000-2
WEIGHT	RESTRICTED TO		
CUSTOMER DRAWING	SCALE 5:1	SHEET 1 OF 2	REV A

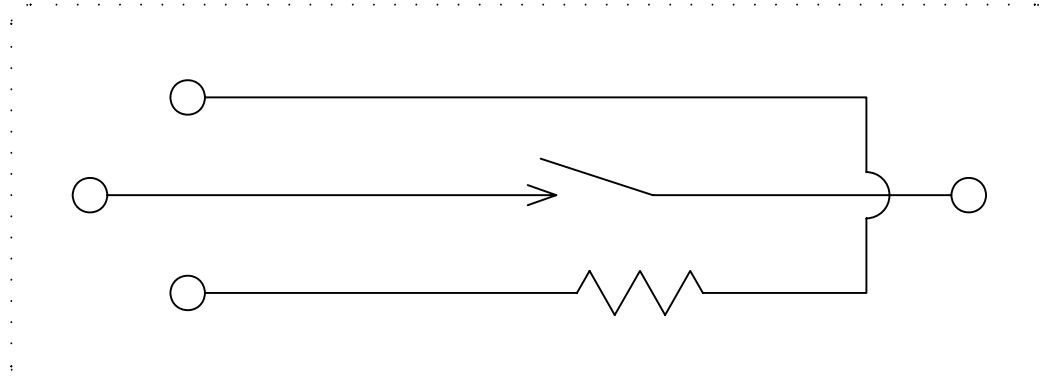
THIS DRAWING IS UNPUBLISHED.

RELEASED FOR PUBLICATION

© COPYRIGHT

BY TYCO ELECTRONICS CORPORATION. ALL RIGHTS RESERVED.

LOC	DIST	REVISIONS						
		P	LTR	DESCRIPTION	ECN	DATE	DWN	APVD
HB								



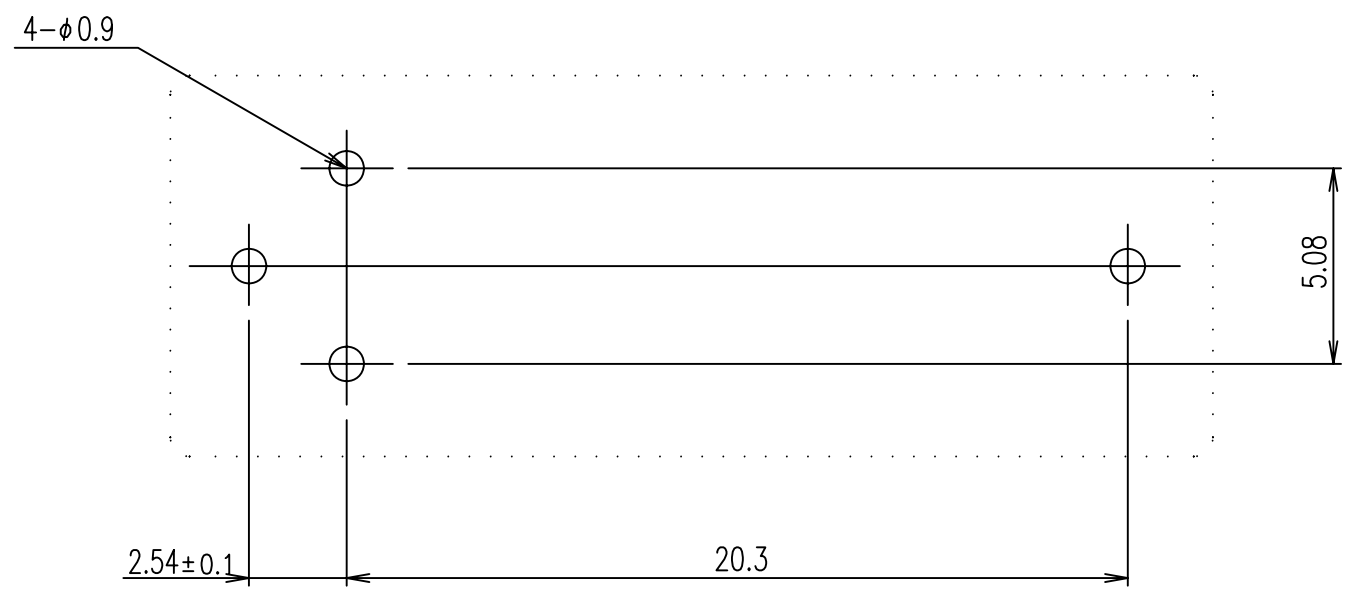
CONNECTION DIAGRAM (BOTTOM VIEW)

(A) NOTES:
 1. LOT NO. SYSTEM AS FOLLOWING:
 0 8 2 5
 WEEK YEAR

2. GENERAL TOLERANCE AS FOLLOWING:

TOLERANCE	
0~0.99mm	±0.1
1mm~2.99mm	±0.2
3mm MIN.	±0.3

3. TERMINAL DIMENSION IS NOT INCLUDING SOLDER TIP.



DRILLING DIAGRAM (BOTTOM VIEW)

	—	EPOXY RESIN	SEAL (BOBBIN+CASE)	9
	—	EPOXY RESIN	SEAL (COIL TERMINAL+BOBBIN)	8
	—	POLYESTER	TAPE	7
CLASS E	—	3UEW	MAGNETIC WIRE	6
	—	HCP WIRE	COIL TERMINAL	5
	—	DIRLINE	SPACER	4
	—	—	REED SWITCH	3
V-0	—	PBT	CASE	2
V-0	—	PBT	BOBBIN	1
INCOMBUSTIBILITY	TREATMENT	MATERIAL	DESCRIPTION	ITEM

THIS DRAWING IS A CONTROLLED DOCUMENT FOR TYCO ELECTRONICS CORPORATION. IT IS SUBJECT TO CHANGE AND THE CONTROLLING ENGINEERING ORGANIZATION SHOULD BE CONTACTED FOR THE LATEST REVISION.

DIMENSIONS: mm	TOLERANCES UNLESS OTHERWISE SPECIFIED: 0 PLC ± 1 PLC ±± 2 PLC ±±± 3 PLC ±±±± 4 PLC ±±±±± ANGLES ±±	DWN	Tyco Electronics Corporation ShenZhen, China
MATERIAL	FINISH	CHK	
		APVD	
		PRODUCT SPEC	
		APPLICATION SPEC	NAME
		WEIGHT	OMR CUSTOMER DRAWING
		CUSTOMER DRAWING	SIZE: A3 CAGE CODE: 00779 DRAWING NO: 2-1440000-2 RESTRICTED TO:
		SCALE: 5:1	SHEET: 2 OF 2 REV: A