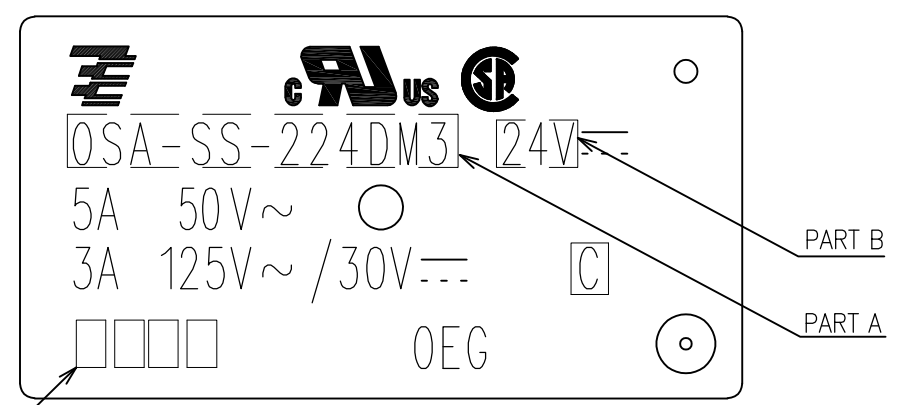
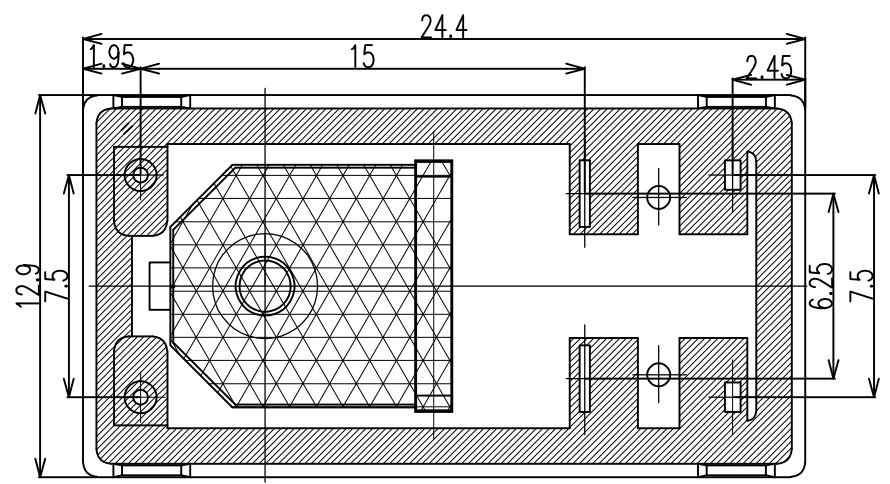
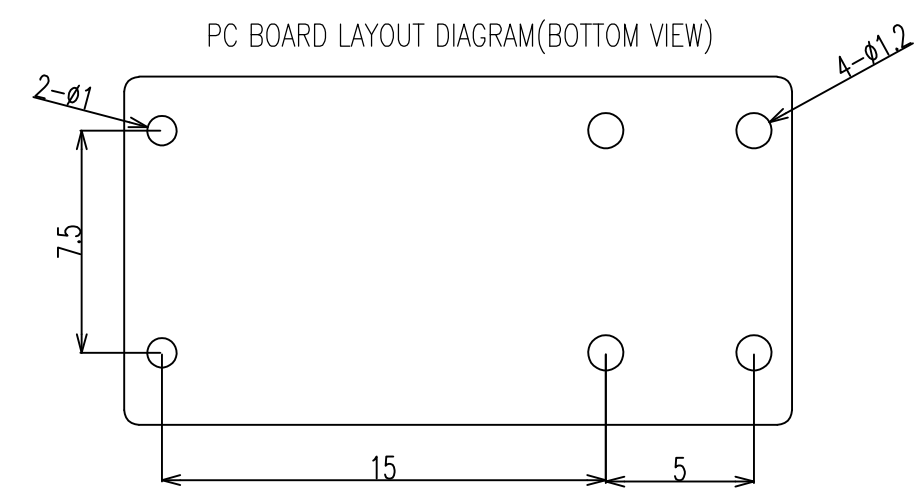
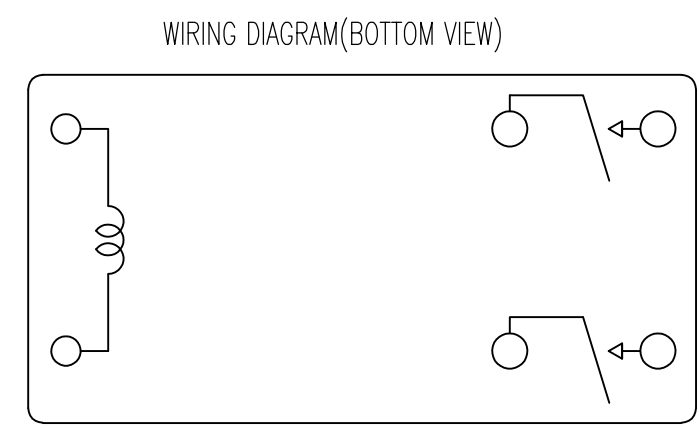
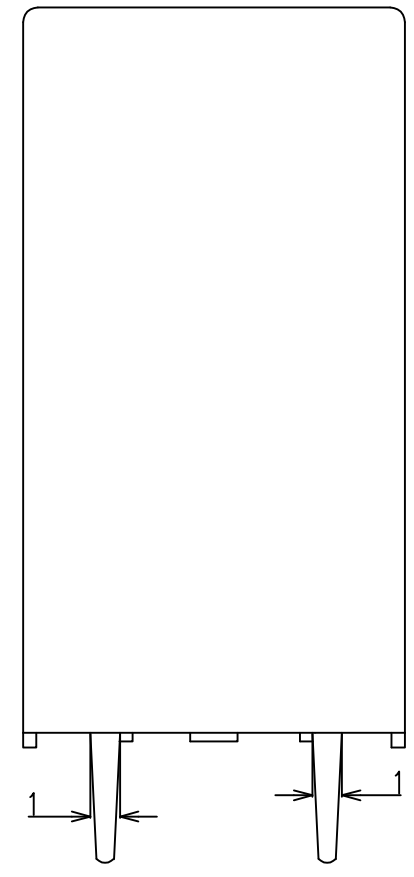
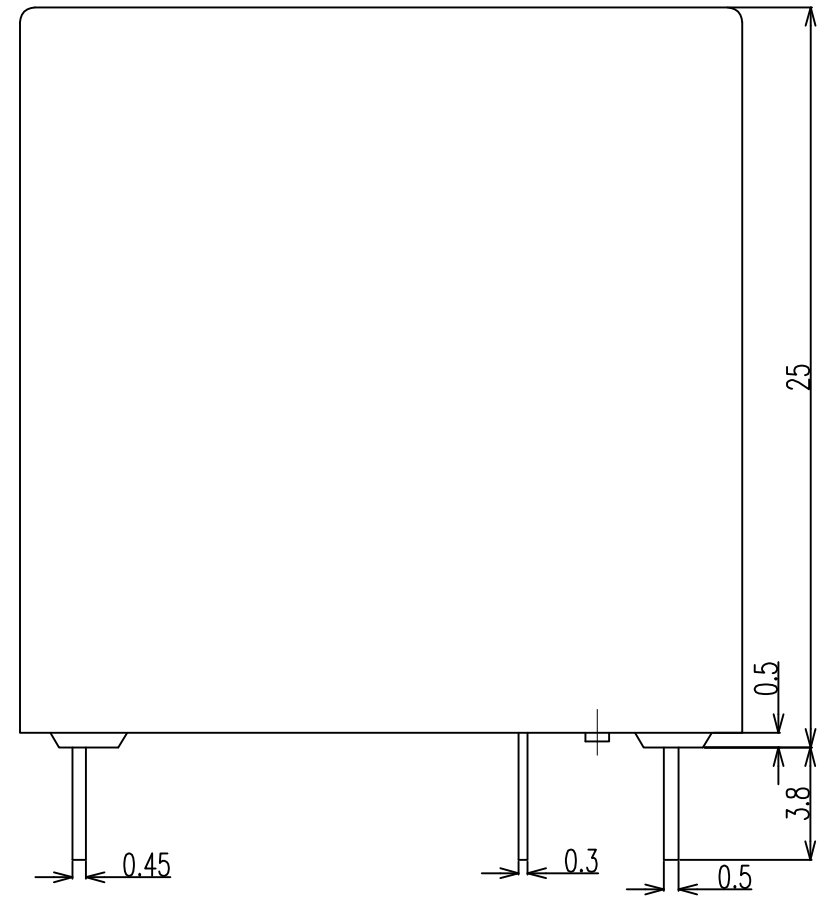


THIS DRAWING IS UNPUBLISHED. RELEASED FOR PUBLICATION
 © COPYRIGHT - BY ALL RIGHTS RESERVED.

LOC	DIST	REVISIONS			
P	LTR	DESCRIPTION	DATE	DWN	APVD
HB	-	D1	REVISED PER ECO-11-005140	14APR11	RK HMR



LOT NO.



THIS DRAWING IS A CONTROLLED DOCUMENT.		DWN	Huang.Yunshou		TE Connectivity NAME OSA-SS-212DM3,000=RELAY CUSTOMER DRAWING
DIMENSIONS: mm		CHK	Yu.Banghua		
TOLERANCES UNLESS OTHERWISE SPECIFIED:		APVD	Zhang.Sunny		
0 PLC ± - 1 PLC ± - 2 PLC ± - 3 PLC ± - 4 PLC ± - ANGLES ± -		PRODUCT SPEC	-		
MATERIAL		FINISH	APPLICATION SPEC	-	
-		-	WEIGHT	-	
CUSTOMER DRAWING			SIZE	A3	RESTRICTED TO
			CAGE CODE	00779	
			DRAWING NO	C-5-1419124-6	SCALE
			5:1	SHEET	1 OF 2
			REV	D1	

THIS DRAWING IS UNPUBLISHED. RELEASED FOR PUBLICATION
 © COPYRIGHT - BY ALL RIGHTS RESERVED.

LOC	DIST	REVISIONS			
P	LTR	DESCRIPTION	DATE	DWN	APVD
HB	-	SEE SHEET 1	-	-	-

NO.	TYPE NAME	PART NAME	PART A	PART B	PACKING SPEC
f	OSA-SS-248DM3	1461388-8	OSA-SS-248DM3	48V	107-79015
e	OSA-SS-206DM3	1461388-7	OSA-SS-206DM3	6V	107-79015
d	OSA-SS-224DM3	5-1419124-9	OSA-SS-224DM3	24V	107-79015
c	OSA-SS-212DM3	5-1419124-6	OSA-SS-212DM3	12V	107-79015
b	OSA-SS-209DM3	3-1419145-3	OSA-SS-209DM3	9V	107-79015
a	OSA-SS-205DM3	3-1419145-2	OSA-SS-205DM3	5V	107-79015

RELAY TYPE

			EPOXY RESIN	SEAL	14
			POLYURETHANE Cu WIRE	MAGNETIC WIRE	13
UL 94V-0			PA66	CARD	12
UL 94V-0			PBT	CASE	11
UL 94V-0			PBT	BOBBIN	10
		SOLDER DIP	CP.WIRE	COIL TERMINAL	9
			Cu Alloy	HINGE SPRING	8
			Ag Alloy	S-CONTACT	7
			Ag Alloy	C-CONTACT	6
		SOLDER DIP	Cu Alloy	M-TERMINAL	5
		SOLDER DIP	Cu Alloy	MOVABLE SPRING	4
		Ni PLATING	STEEL	CORE	3
		Ni PLATING	STEEL	ARMATURE	2
		Ni PLATING	STEEL	YOKE	1
INCOMBUSTIBILITY	NOTES	FINISH	MATERIAL	DESCRIPTION	ITEM

NOTE:
 1.LOT NO. SYSTEM AS FOLLOWING:

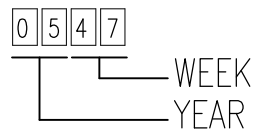


Diagram dimension	Tolerance
0.99mm max.	±0.1mm
1 - 2.99mm	±0.2mm
3mm min.	±0.3mm

THIS DRAWING IS A CONTROLLED DOCUMENT.		DWN	Huang.Yunshou	TE Connectivity NAME OSA-SS-212DM3,000=RELAY CUSTOMER DRAWING			
DIMENSIONS: mm		CHK	Yu.Banghua				
TOLERANCES UNLESS OTHERWISE SPECIFIED:		APVD	Zhang.Sunny				
0 PLC ± - 1 PLC ± - 2 PLC ± - 3 PLC ± - 4 PLC ± - ANGLES ± -		PRODUCT SPEC	-				
MATERIAL	FINISH	APPLICATION SPEC	-	SIZE	CAGE CODE	DRAWING NO	RESTRICTED TO
-	-	WEIGHT	-	A3	00779	C-5-1419124-6	-
CUSTOMER DRAWING				SCALE	5:1	SHEET	2 OF 2
						REV	D1