

THIS DRAWING IS UNPUBLISHED.

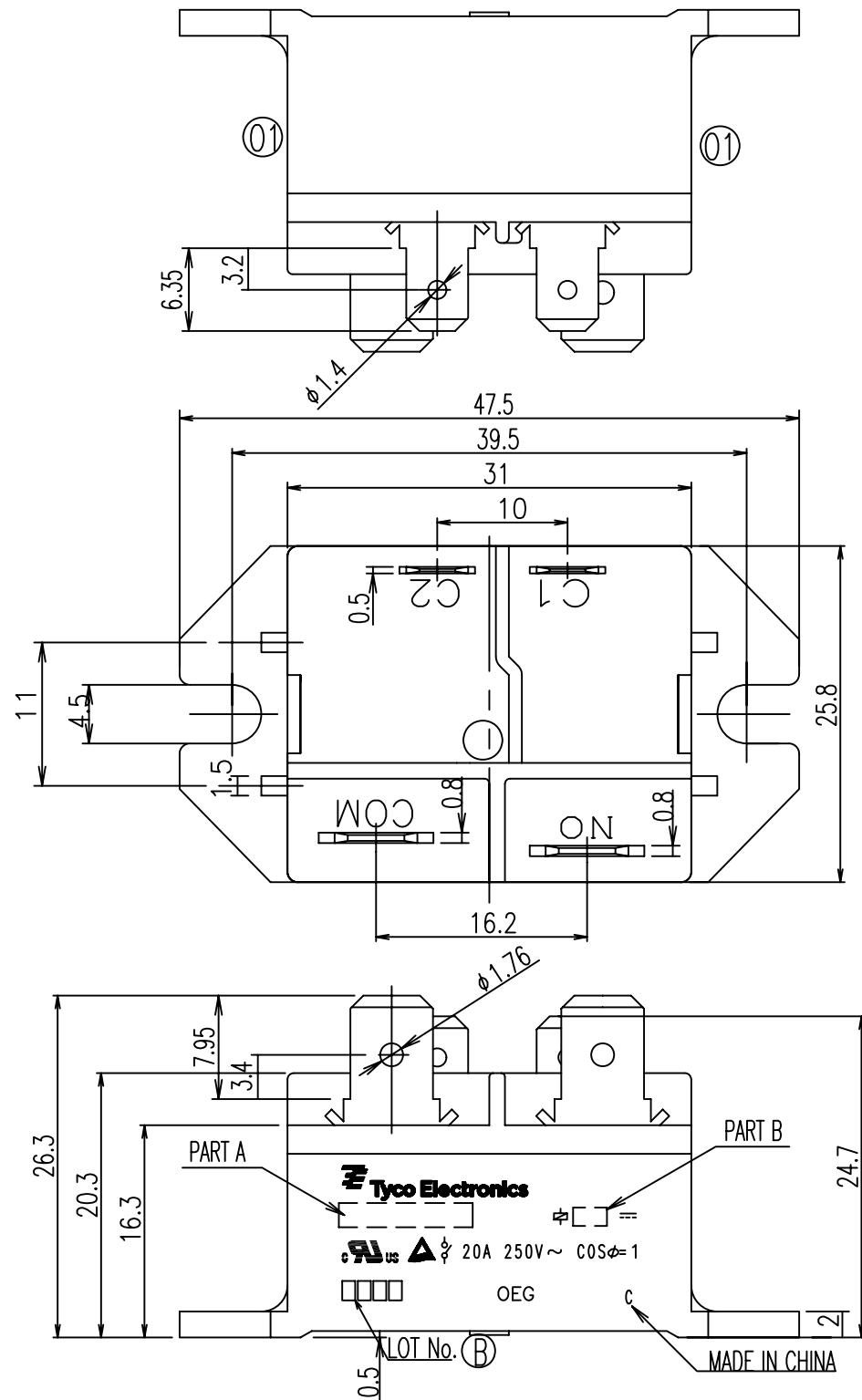
RELEASED FOR PUBLICATION

© COPYRIGHT

BY TYCO ELECTRONICS CORPORATION. ALL RIGHTS RESERVED.

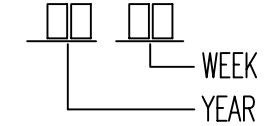
LOC
HB

REVISIONS					
P	LTR	DESCRIPTION	ECN	DATE	DWN APVD
	01	MODIFICATION	FK00-0230-04	20-DEC-04	N.F MJ.H
	A	REMOVE CONTACT FIGURE	ECO-07-014825	22-JUN-07	Y.ZX Y.BH
	B	CHANGE DATE CODE&TE LOGO	ECO-08-007869	18-APR-08	CY.Z BH.Y



NOTES:

(B) 1.LOT NO. SYSTEM AS FOLLOWING:



CONNECTION DIAGRAM

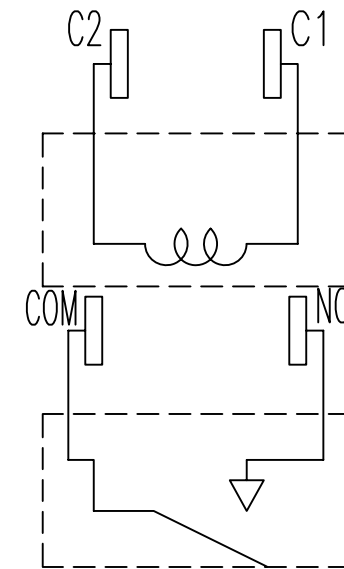


Diagram dimension	Tolerance
0.99mm max.	±0.1mm
1 - 2.99mm	±0.2mm
3mm min.	±0.3mm

THIS DRAWING IS A CONTROLLED DOCUMENT FOR TYCO ELECTRONICS CORPORATION
IT IS SUBJECT TO CHANGE AND THE CONTROLLING ENGINEERING ORGANIZATION
SHOULD BE CONTACTED FOR THE LATEST REVISION.

DIMENSIONS: mm	TOLERANCES UNLESS OTHERWISE SPECIFIED:
	0 PLC ++
	1 PLC ++
	2 PLC ++
	3 PLC ++
	4 PLC ++
	ANGLES ++
MATERIAL SEE MATERIAL TABLE	FINISH SEE TREATMENT TABLE

DWN N.Funayama	Tyco Electronics Corporation ShenZhen, China	
CHK M.J.Ho	NAME	
APVD Y.Adachi	PCFL CUSTOMER DRAWING	
PRODUCT SPEC	SIZE A3	CAGE CODE 00779
APPLICATION SPEC	DRAWING NO C= 1649000	RESTRICTED TO -
WEIGHT -	SCALE 2:1	SHEET 1 OF 2
CUSTOMER DRAWING	REV B	


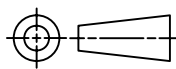
THIS DRAWING IS UNPUBLISHED. RELEASED FOR PUBLICATION
 © COPYRIGHT BY TYCO ELECTRONICS CORPORATION. ALL RIGHTS RESERVED.

LOC	DIST	REVISIONS						
		P	LTR	DESCRIPTION	ECN	DATE	DWN	APVD
HB								

1-1649000-4	PCFL-110D1M ,000	10.5V	PCFL-110D1M	n
1-1649000-3	PCFL-110D2M ,000	10.5V	PCFL-110D2M	m
1-1649000-2	PCFL-105D1M ,000	5V	PCFL-105D1M	l
1-1649000-1	PCFL-105D2M ,000	5V	PCFL-105D2M	k
1-1649000-0	PCFL-148D1M ,000	48V	PCFL-148D1M	j
1649000-9	PCFL-124D1M ,000	24V	PCFL-124D1M	i
1649000-8	PCFL-112D1M ,000	12V	PCFL-112D1M	h
1649000-7	PCFL-109D1M ,000	9V	PCFL-109D1M	g
1649000-6	PCFL-106D1M ,000	6V	PCFL-106D1M	f
1649000-5	PCFL-148D2M ,000	48V	PCFL-148D2M	e
1649000-4	PCFL-124D2M ,000	24V	PCFL-124D2M	d
1649000-3	PCFL-112D2M ,000	12V	PCFL-112D2M	c
1649000-2	PCFL-109D2M ,000	9V	PCFL-109D2M	b
1649000-1	PCFL-106D2M ,000	6V	PCFL-106D2M	a
TE PART NUMBER	EC TYPE NAME	PART B	PART A	No

RELAY TYPE

		UEW	MAGNETIC WIRE	17
		Ag ALLOY	STATIONARY CONTACT	16
		Ag ALLOY		
		Ag ALLOY	MOVABLE CONTACT	15
		Ag ALLOY		
		Cu ALLOY	COIL TERMINAL	14
		Cu ALLOY	COIL TERMINAL R	13
		Cu ALLOY	COIL TERMINAL L	12
		Cu ALLOY	MOVABLE SPRING	11
		Cu ALLOY	STATIONARY TERMINAL	10
		Cu ALLOY	MOVABLE TERMINAL	9
UL94 V-0		PPS	CARD	8
		Cu ALLOY	HINGE SPRING	7
	Ni PLATED	STEEL	CORE	6
	Ni PLATED	STEEL	ARMATURE	5
	Ni PLATED	STEEL	YOKE	4
UL94 V-0		PBT	BOBBIN	3
UL94 V-0/CTI600		PBT	BASE	2
UL94 V-0		PBT	CASE	1
INCOMBUSTIBILITY	TREATMENT	MATERIAL	DESCRIPTION	ITEM

THIS DRAWING IS A CONTROLLED DOCUMENT FOR TYCO ELECTRONICS CORPORATION IT IS SUBJECT TO CHANGE AND THE CONTROLLING ENGINEERING ORGANIZATION SHOULD BE CONTACTED FOR THE LATEST REVISION.		DWN		 Tyco Electronics Corporation ShenZhen, China	
DIMENSIONS: mm		CHK			
		APVD		NAME	
TOLERANCES UNLESS OTHERWISE SPECIFIED: 0 PLC ± 1 PLC ± 2 PLC ± 3 PLC ± 4 PLC ± ANGLES ±		PRODUCT SPEC		PCFL CUSTOMER DRAWING	
MATERIAL		APPLIC. SPEC		SIZE	RESTRICTED TO
FINISH		WEIGHT		A3	-
		CUSTOMER DRAWING		CAGE CODE	DRAWING NO
				00779	1649000
				SCALE	SHEET
				2:1	2 OF 2
				REV	B