



Ordering number	C10891		
Description	C10891_GT3-XP-S		
Family	Gt3	FWHM	14 degrees
Type	Lens	Efficiency	-
LED	XP-E	cd/lm	-
Color	Transparent	Gerber File	Available
Diameter	35 mm		
Height	9 mm		
Style	Round		
Optic Material	PMMA		
Holder Material	-		
Fastening	Glue, pin		
Status	Ready		



Ordering number	C10892		
Description	C10892_GT3-XP-M		
Family	Gt3	FWHM	28 degrees
Type	Lens	Efficiency	-
LED	XP-E	cd/lm	-
Color	Transparent	Gerber File	Available
Diameter	35 mm		
Height	9 mm		
Style	Round		
Optic Material	PMMA		
Holder Material	-		
Fastening	Glue, pin		
Status	Ready		



Ordering number	C10892		
Description	C10892_GT3-XP-M		
Family	Gt3	FWHM	28 degrees
Type	Lens	Efficiency	-
LED	XP-E	cd/lm	-
Color	Transparent	Gerber File	Available
Diameter	35 mm		
Height	9 mm		
Style	Round		
Optic Material	PMMA		
Holder Material	-		
Fastening	Glue, pin		
Status	Ready		



Ordering number	C10893		
Description	C10893_GT3-XP-W		
Family	Gt3	FWHM	40 degrees
Type	Lens	Efficiency	-
LED	XP-E	cd/lm	-
Color	Transparent	Gerber File	Available
Diameter	35 mm		
Height	9 mm		
Style	Round		
Optic Material	PMMA		
Holder Material	-		
Fastening	Glue, pin		
Status	Ready		

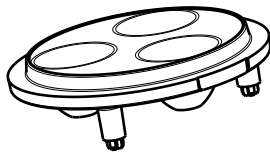


Gt3 series



Ordering number C11624
Description C11624_GT3-XP-WW

Family	Gt3	FWHM	60 degrees
Type	Lens	Efficiency	-
LED	XP-E	cd/lm	-
Color	Transparent	Gerber File	Available
Diameter	35 mm		
Height	9 mm		
Style	Round		
Optic Material	PMMA		
Holder Material	-		
Fastening	Glue, pin		
Status	Ready		

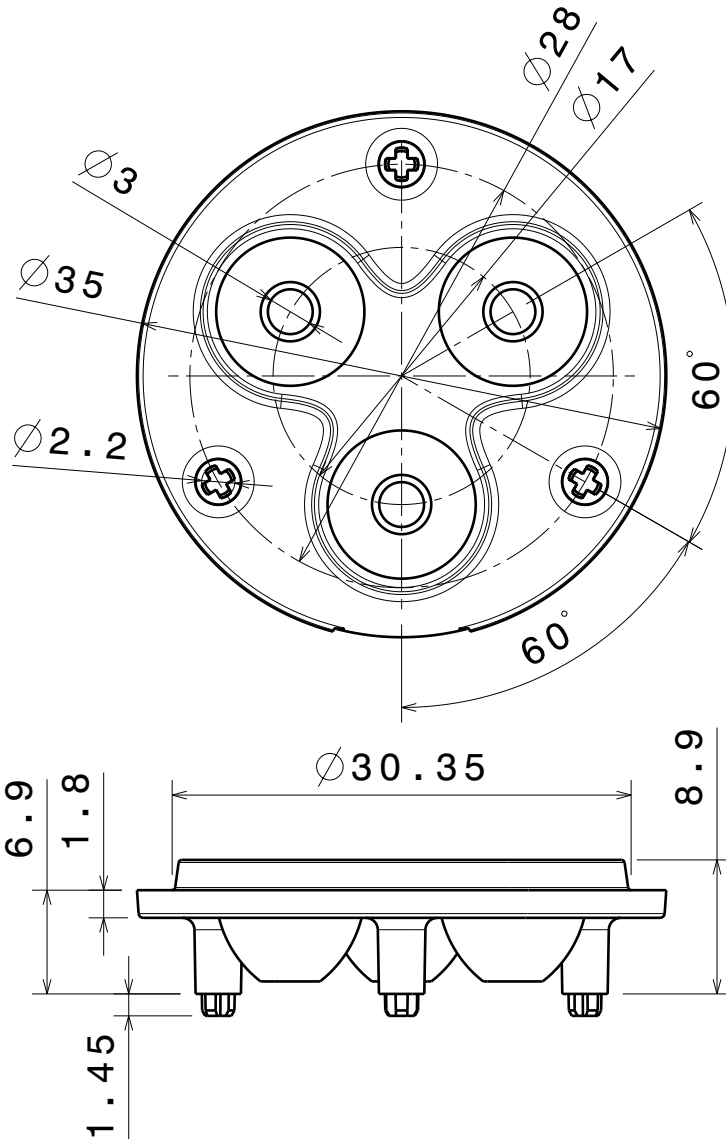


Isometric view
Scale: 1:1

Material: PMMA

Part no.s:

- C10891_GT3-XP-S
- C10891_GT3-XP-G-S
- C10891_GT3-OSL-S
- C10891_GT3-DD-S
- C10891_GT3-RE-ES-M
- C10891_GT3-Z5-S
- C10892_GT3-XP-M
- C10892_GT3-XP-G-M
- C10892_GT3-OSL-M
- C10892_GT3-DD-M
- C10892_GT3-XP-M
- C10892_GT3-Z5-M
- C10893_GT3-XP-W
- C10893_GT3-XP-G-W
- C10893_GT3-OSL-W
- C10893_GT3-DD-W
- C10893_GT3-RE-ES-W
- C11623_GT3-RE-VW
- C11623_GT3-N19-VW
- C11624_GT3-XP-VW
- C11624_GT3-XP-G-VW
- C11624_GT3-OSL-VW
- C11624_GT3-DD-VW
- C11624_GT3-Z5-VW



Bottom view

Front view

This drawing is our property.
It can't be reproduced
or communicated without
our written agreement.



L
T
F
F

e
e
i
i
N
n

DRAWING TITLE

Datasheet GT3-Series Lens

DRAWN BY p		DATE 08.01.2010		DRAWING TITLE Datasheet GT3-Series Lens			
CHECKED BY t k		DATE 07.01.2010		SIZE A4	DRAWING NUMBER -		REV 1
DESIGNED BY hh		DATE 07.01.2010		SCALE 2:1	WEIGHT (g)	SHEET 1/1	