

Iris series



Ordering number CA10861
Description CA10861C_Iris-SRS

Family	Iris	FWHM	0 degrees
Type	Lens	Efficiency	-
LED	Ostar Lighting	cd/lm	-
Color	Black	Gerber File	Available
Diameter	38 mm		
Height	28.5 mm		
Style	Round		Shipped as unassembled - lens and holder
Optic Material	PMMA		
Holder Material	PC		
Fastening	-		
Status	Ready		



Ordering number CA11470
Description CA11470-Iris-O

Family	Iris	FWHM	40+30 degrees
Type	Lens	Efficiency	-
LED	Ostar Lighting	cd/lm	-
Color	Black	Gerber File	Available
Diameter	38 mm		
Height	28.5 mm		
Style	Round		
Optic Material	PMMA		
Holder Material	PC		
Fastening	-		
Status	Ready		

D

C

B

A

4

4

Optional Sublens

Iris Lens

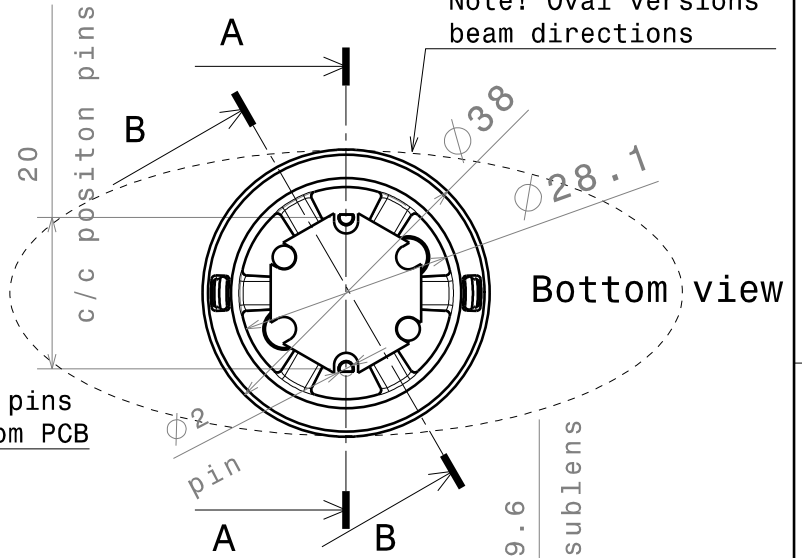
Iris SST-Holder

Led

Section view A-A

Position pins for custom PCB

Note! Oval versions beam directions

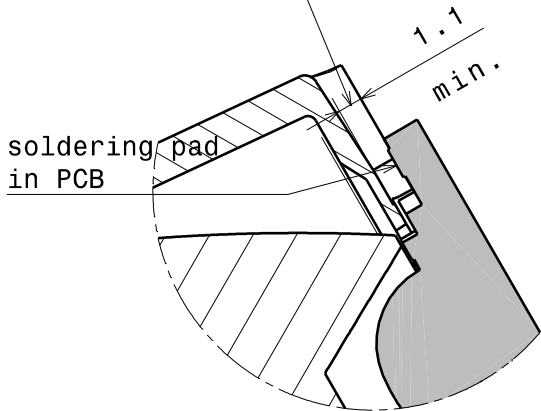


Bottom view

3

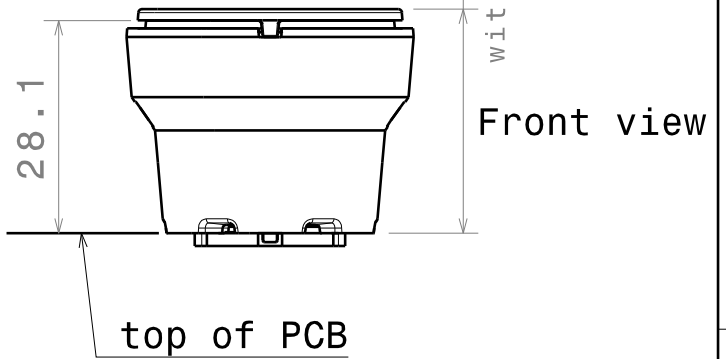
3

6x space for soldering&wires



soldering pad in PCB

Section view B-B
Scale: 3:1



Front view

top of PCB

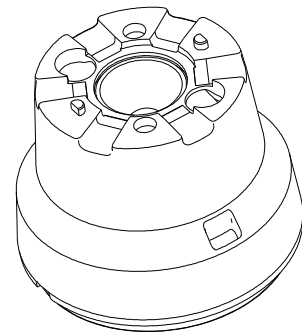
2

2

Materials:
Lens PMMA
Holder PC

Part no.s:
Spot CA11770_Iris-SST-50
Medium CA11771_Iris-M-SST-50
Oval CA11772_Iris-O-SST-50
Spot CA11770_Iris-SST-90
Medium CA11771_Iris-M-SST-90
Oval CA11772_Iris-O-SST-90

Isometric view, lenses & holder



This drawing is our property. It can't be reproduced or communicated without our written agreement.



Ledil Oy
Tehdaskatu 13
FIN-24100 SALO
Finland

DRAWING TITLE

Datasheet Iris-SST assy

1

1

DRAWN BY

pv

DATE

29.10.2010

CHECKED BY

tk

DATE

29.10.2010

DESIGNED BY

pv

DATE

28.04.2010

SIZE

A4

DRAWING NUMBER

-

REV

1

SCALE

1:1

WEIGHT (g)

SHEET

1/1

D

A

D

C

B

A

4

4

Optional Sublens

Iris Lens

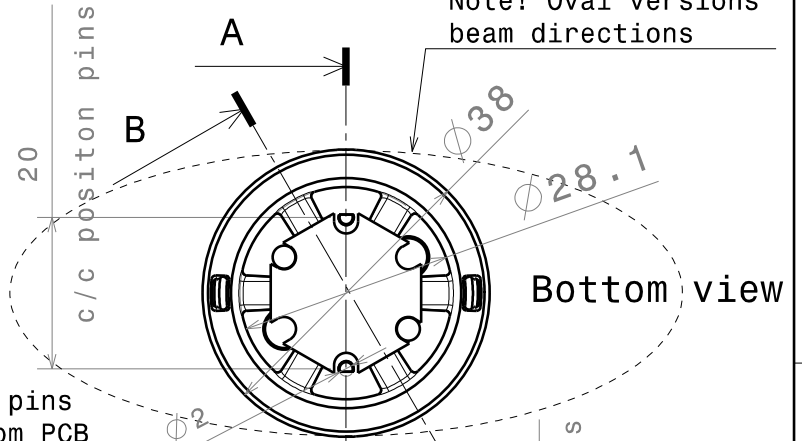
Iris SST-Holder

Led

Section view A-A

Position pins for custom PCB

Note! Oval versions beam directions

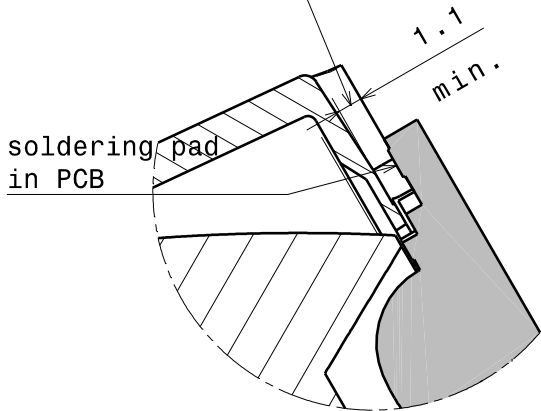


Bottom view

3

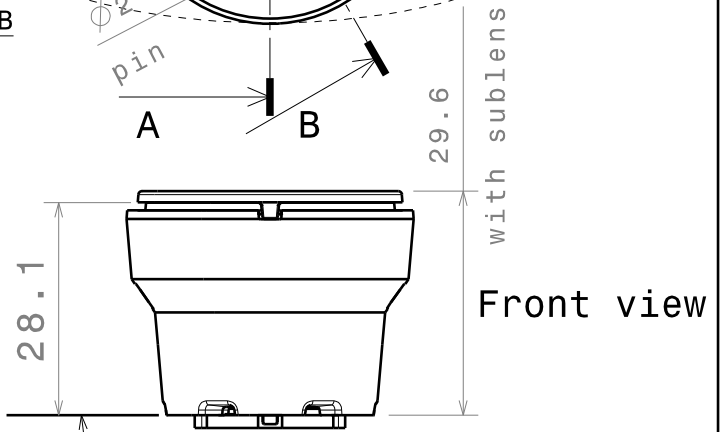
3

6x space for soldering&wires



soldering pad in PCB

Section view B-B
Scale: 3:1



Front view

top of PCB

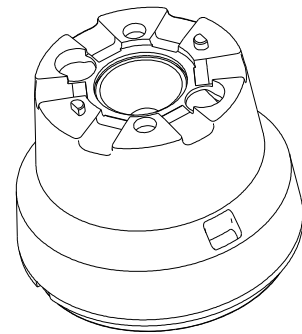
2

2

Materials:
Lens PMMA
Holder PC

Part no.s:
Spot CA11770_Iris-SST-50
Medium CA11771_Iris-M-SST-50
Oval CA11772_Iris-0-SST-50
Spot CA11770_Iris-SST-90
Medium CA11771_Iris-M-SST-90
Oval CA11772_Iris-0-SST-90

Isometric view, lenses & holder



This drawing is our property. It can't be reproduced or communicated without our written agreement.



Ledil Oy
Tehdaskatu 13
FIN-24100 SALO
Finland

DRAWING TITLE

Datasheet Iris-SST assy

1

1

DRAWN BY

pv

DATE

29.10.2010

CHECKED BY

tk

DATE

29.10.2010

DESIGNED BY

pv

DATE

28.04.2010

SIZE

A4

DRAWING NUMBER

-

REV

1

SCALE

1:1

WEIGHT (g)

SHEET

1/1

D

A

D

C

B

A

4

4

Optional Sublens

Iris Lens

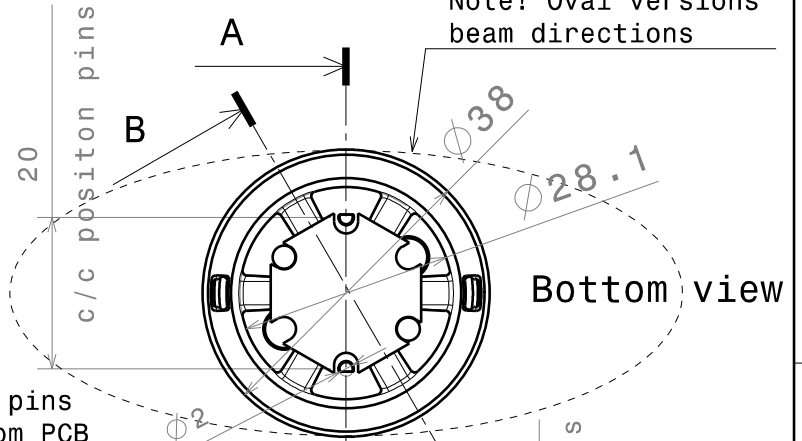
Iris SST-Holder

Led

Section view A-A

Position pins for custom PCB

Note! Oval versions beam directions

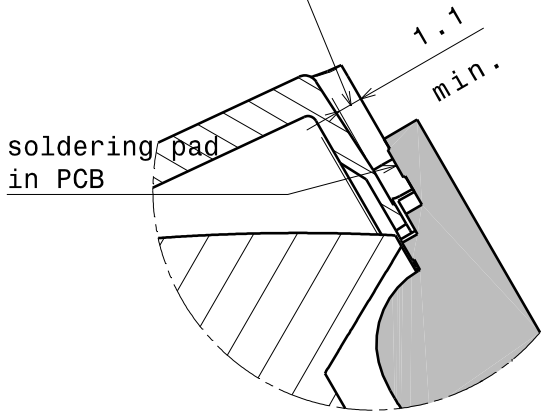


Bottom view

3

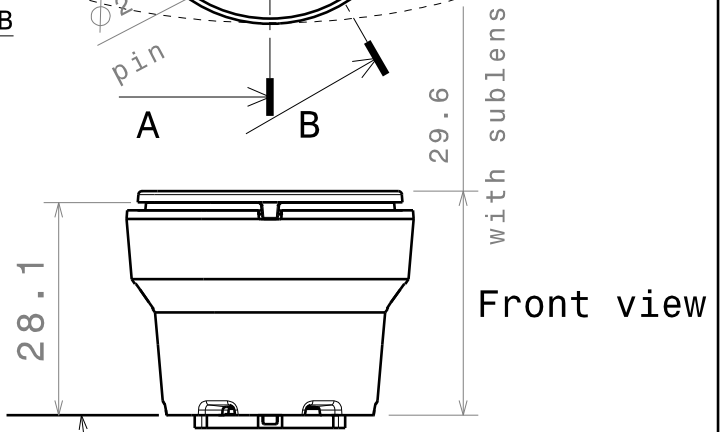
3

6x space for soldering&wires



soldering pad in PCB

Section view B-B
Scale: 3:1



Front view

top of PCB

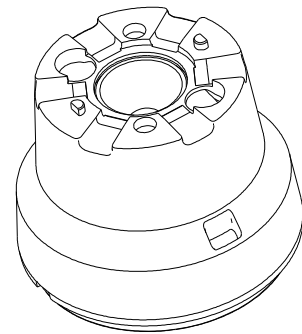
2

2

Materials:
Lens PMMA
Holder PC

Part no.s:
Spot CA11770_Iris-SST-50
Medium CA11771_Iris-M-SST-50
Oval CA11772_Iris-0-SST-50
Spot CA11770_Iris-SST-90
Medium CA11771_Iris-M-SST-90
Oval CA11772_Iris-0-SST-90

Isometric view, lenses & holder



This drawing is our property. It can't be reproduced or communicated without our written agreement.



Ledil Oy
Tehdaskatu 13
FIN-24100 SALO
Finland

DRAWING TITLE

Datasheet Iris-SST assy

1

1

DRAWN BY

pv

DATE

29.10.2010

CHECKED BY

tk

DATE

29.10.2010

DESIGNED BY

pv

DATE

28.04.2010

SIZE

A4

DRAWING NUMBER

-

REV

1

SCALE

1:1

WEIGHT (g)

SHEET

1/1

D

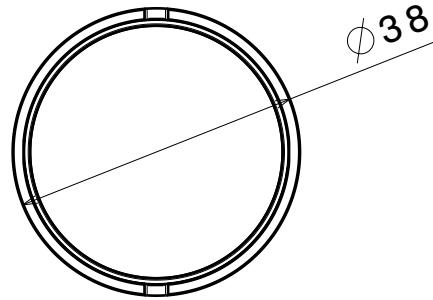
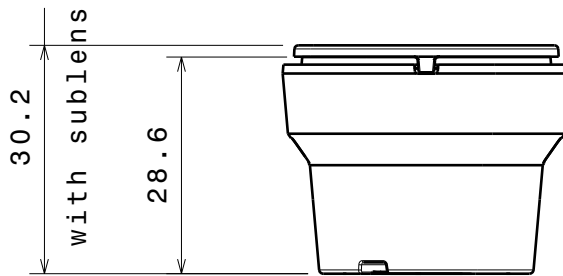
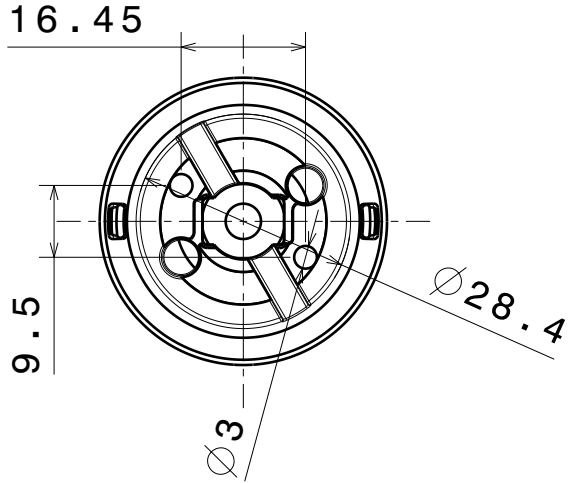
A

D

C

B

A



Materials:
 Lens PMMA
 Holder PC

Part no.s:
 CA10861B_Iris-IR
 CA10953B_Iris-M
 CA11533_Iris-IR-0

This drawing is our property.
 It can't be reproduced
 or communicated without
 our written agreement.



L
T
F
F

e
e
i
i
N
n

DRAWING TITLE

Datasheet Iris Ostar IR assy

DRAWN BY p	DATE 03.02.2009
---------------	--------------------

CHECKED BY t k	DATE 02.02.2009
-------------------	--------------------

DESIGNED BY pv	DATE 26.01.2009
-------------------	--------------------

SIZE A4	DRAWING NUMBER -	REV 1
SCALE 1:1	WEIGHT (g)	SHEET 1/1

D

A

4

4

3

3

2

2

1

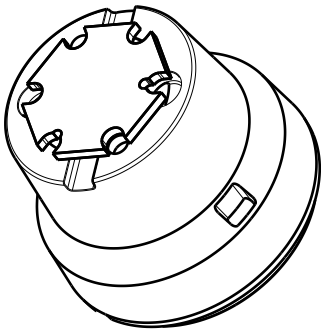
1

D

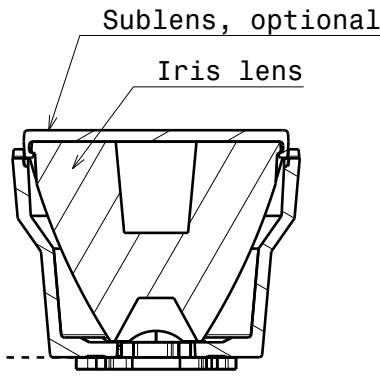
C

B

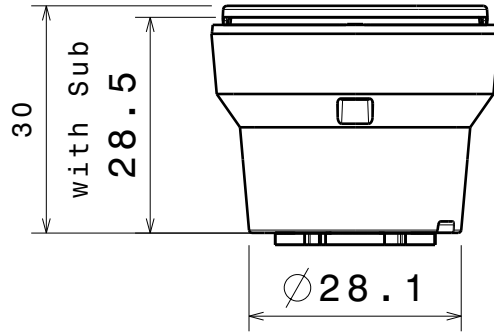
A



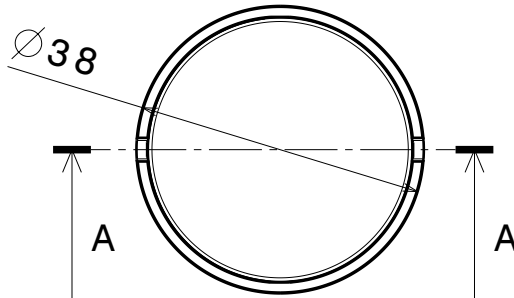
Isometric view



Section view A-A



Front view



Top view

Materials:
 Lens PMMA
 Holder PC

Part no.s:
 Spot CA10861
 Medium CA10953
 Oval CA11470

This drawing is our property.
 It can't be reproduced
 or communicated without
 our written agreement.



L
T
F
F

e
e
i
i
N
n

d
h

DRAWING TITLE

Datasheet Iris MC/ Ostar assy

DRAWN BY p	DATE 03.02.2009
---------------	--------------------

CHECKED BY t k	DATE 02.02.2009
-------------------	--------------------

DESIGNED BY pv	DATE 26.01.2009
-------------------	--------------------

SIZE A4	DRAWING NUMBER -	REV 1
SCALE 1:1	WEIGHT (g)	SHEET 1/1

D

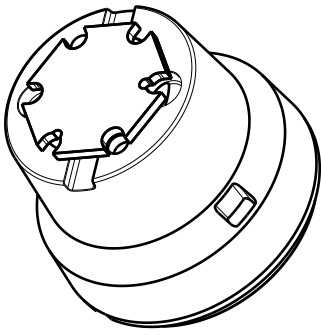
A

D

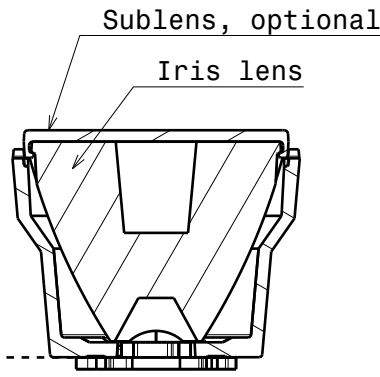
C

B

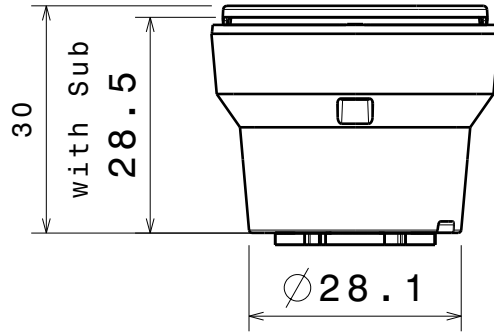
A



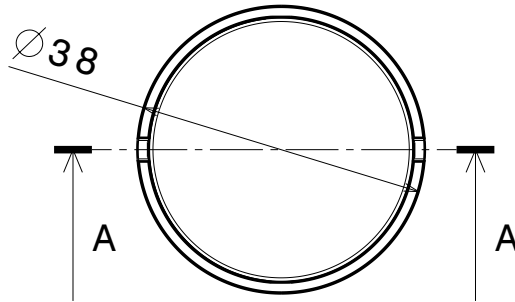
Isometric view



Section view A-A



Front view



Top view

Materials:
 Lens PMMA
 Holder PC

Part no.s:
 Spot CA10861
 Medium CA10953
 Oval CA11470

This drawing is our property.
 It can't be reproduced
 or communicated without
 our written agreement.



L
T
F
F

e
e
i
i
N
n

d

h

DRAWING TITLE

Datasheet Iris MC/ Ostar assy

DRAWN BY p	DATE 03.02.2009
---------------	--------------------

CHECKED BY t k	DATE 02.02.2009
-------------------	--------------------

DESIGNED BY pv	DATE 26.01.2009
-------------------	--------------------

SIZE A4	DRAWING NUMBER -	REV 1
SCALE 1:1	WEIGHT (g)	SHEET 1/1

D

A

4

4

3

3

2

2

1

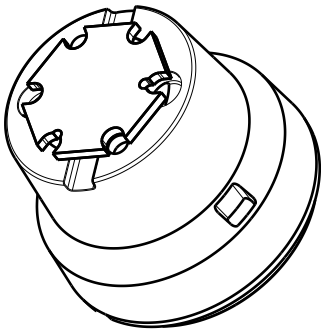
1

D

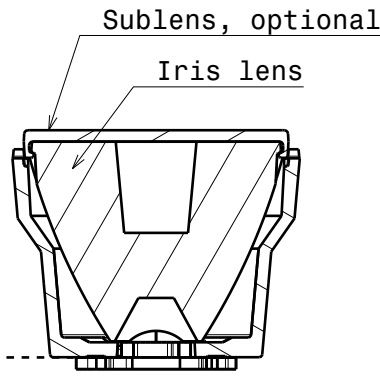
C

B

A

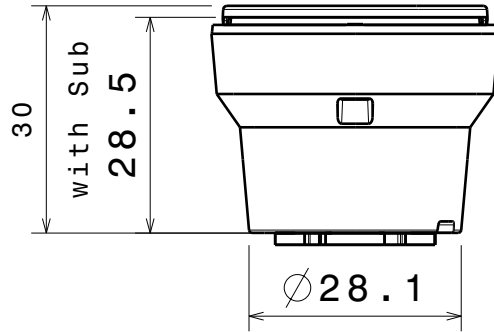


Isometric view

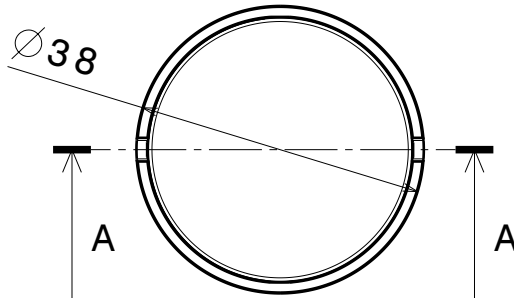


Section view A-A

Pcb top level



Front view



Top view

Materials:
 Lens PMMA
 Holder PC

Part no.s:
 Spot CA10861
 Medium CA10953
 Oval CA11470

This drawing is our property.
 It can't be reproduced
 or communicated without
 our written agreement.



L
T
F
F

e
e
i
i
N
n

d
h

DRAWING TITLE

Datasheet Iris MC/ Ostar assy

DRAWN BY

DATE

03.02.2009

CHECKED BY

DATE

02.02.2009

DESIGNED BY

DATE

26.01.2009

SIZE

A4

DRAWING NUMBER

-

REV

1

SCALE

1:1

WEIGHT (g)

SHEET

1/1

D

A

4

4

3

3

2

2

1

1

D

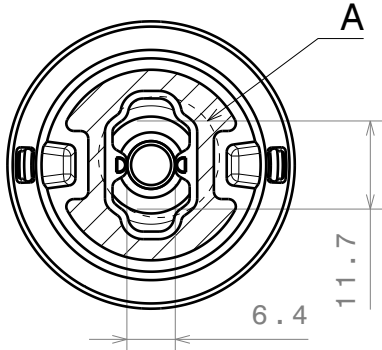
C

B

A

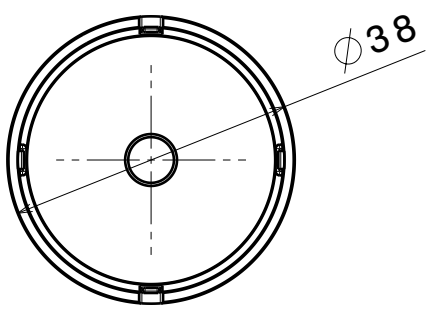
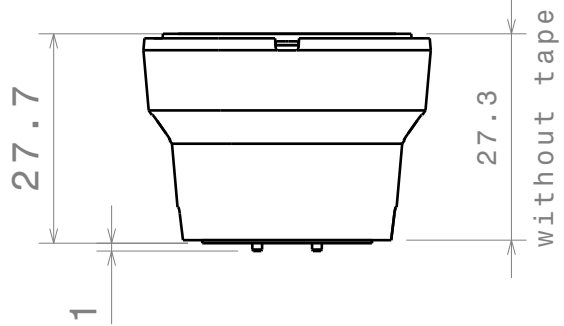
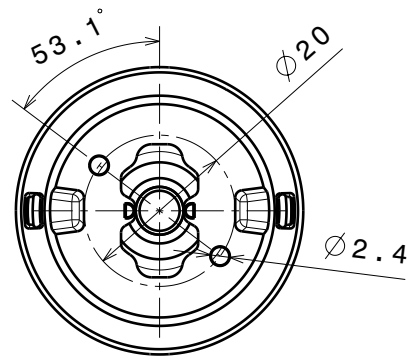
4

4



3

3

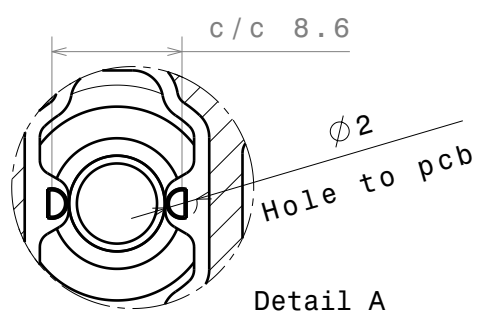


without tape

2

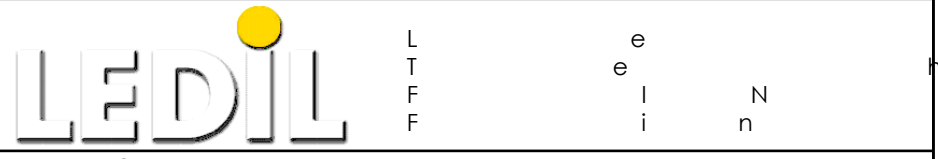
2

Materials:
 Lens PMMA
 Holder PC
 Tape PU Foam



Detail A
 Scale: 2:1

This drawing is our property.
 It can't be reproduced
 or communicated without
 our written agreement.



DRAWING TITLE

Datasheet Iris-XM-tape assy

DRAWN BY p	DATE 03.02.2011
---------------	--------------------

CHECKED BY h	DATE 02.02.2011
-----------------	--------------------

DESIGNED BY ol	DATE 19.03.2010
-------------------	--------------------

SIZE A4	DRAWING NUMBER -	REV 1
------------	---------------------	----------

SCALE 1:1	WEIGHT (g)	SHEET 1/1
--------------	------------	--------------

D

A

1

1

D

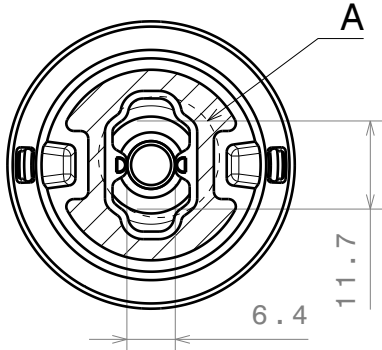
C

B

A

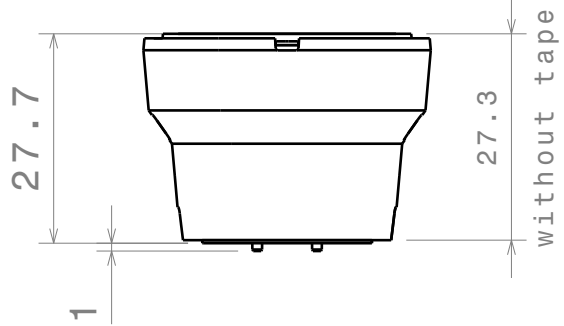
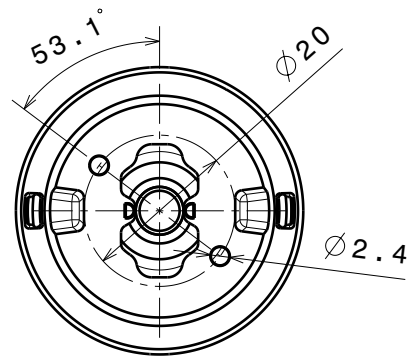
4

4

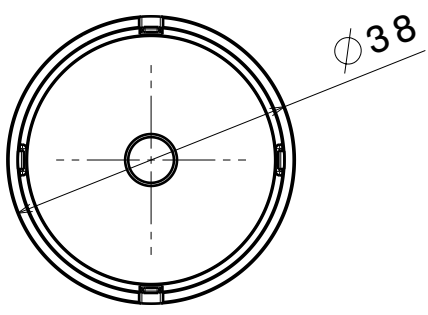


3

3



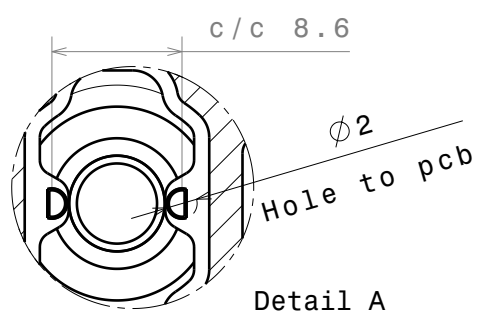
without tape



2

2

Materials:
 Lens PMMA
 Holder PC
 Tape PU Foam



Detail A
 Scale: 2:1

This drawing is our property.
 It can't be reproduced
 or communicated without
 our written agreement.



DRAWING TITLE

Datasheet Iris-XM-tape assy

DRAWN BY
p
DATE
03.02.2011

CHECKED BY
h
DATE
02.02.2011

DESIGNED BY
ol
DATE
19.03.2010

SIZE A4 DRAWING NUMBER - REV 1

SCALE 1:1 WEIGHT (g) SHEET 1/1

1

1

D

A

D

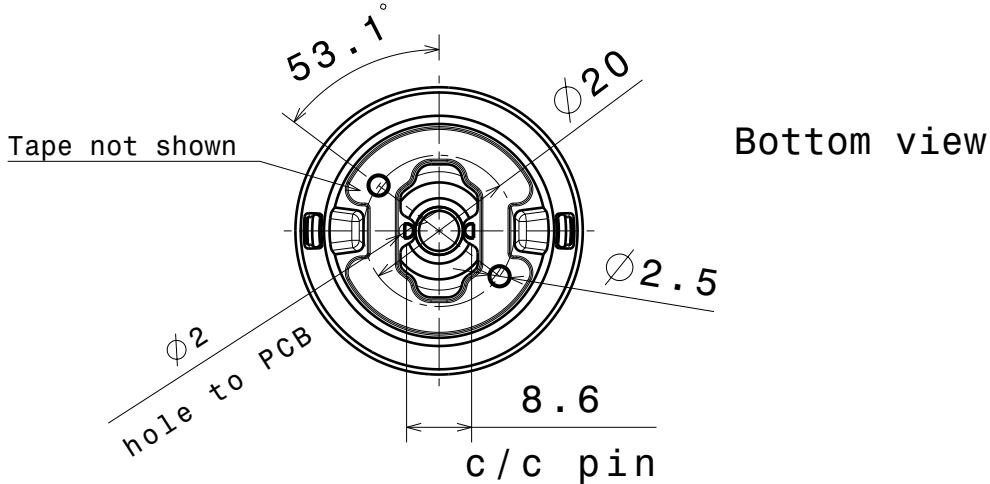
C

B

A

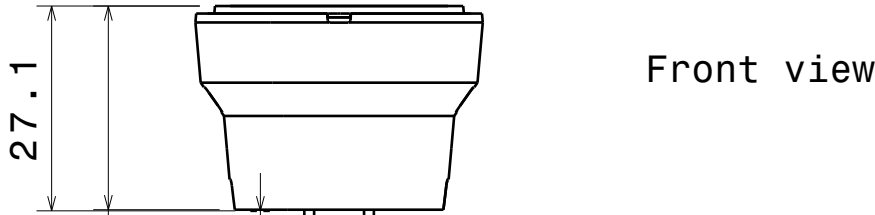
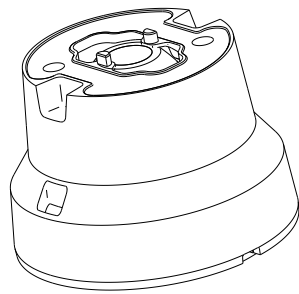
4

4



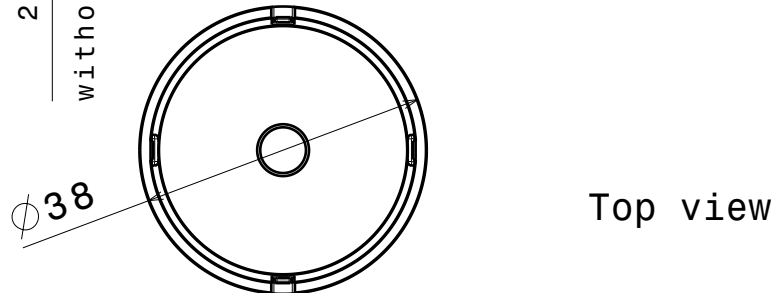
3

3



2

2



Materials:
 Lens PMMA
 Holder PC
 Tape PU Foam

This drawing is our property.
 It can't be reproduced
 or communicated without
 our written agreement.



L
T
F
F

e
e
i
i

N
n

DRAWING TITLE

Datasheet Iris-XP-E-tape assy

DRAWN BY p	DATE 13.04.2010
---------------	--------------------

CHECKED BY t k	DATE 19.03.2010
-------------------	--------------------

DESIGNED BY ol	DATE 19.03.2010
-------------------	--------------------

SIZE A4	DRAWING NUMBER -	REV 1
SCALE 1:1	WEIGHT (g)	SHEET 1/1

D

A

1

1

D

C

B

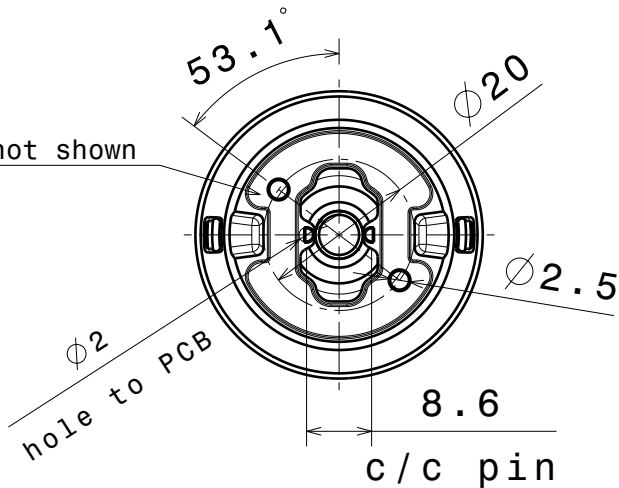
A

4

4

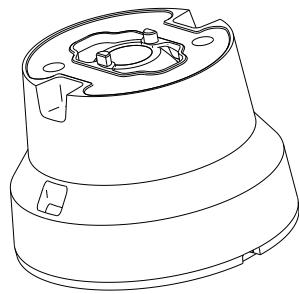
Tape not shown

Bottom view

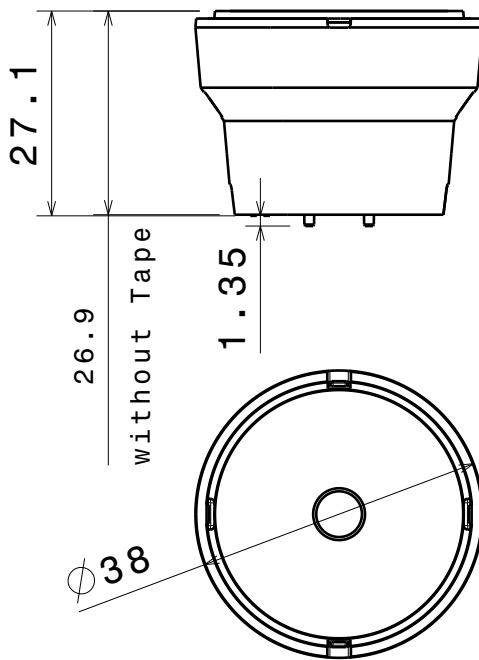


3

3



Front view



Top view

2

2

Materials:
 Lens PMMA
 Holder PC
 Tape PU Foam

This drawing is our property.
 It can't be reproduced
 or communicated without
 our written agreement.



L
T
F
F

e
e
i
i
N
n

d
h

DRAWING TITLE

Datasheet Iris-XP-E-tape assy

1

1

DRAWN BY

DATE

p

13.04.2010

CHECKED BY

DATE

t

k

19.03.2010

DESIGNED BY

DATE

ol

19.03.2010

SIZE

A4

DRAWING NUMBER

-

REV

1

SCALE

1:1

WEIGHT (g)

SHEET

1/1

D

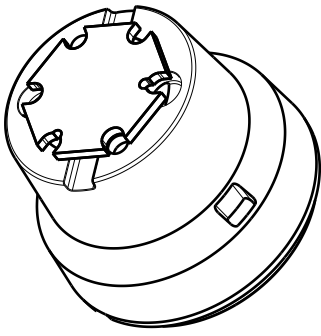
A

D

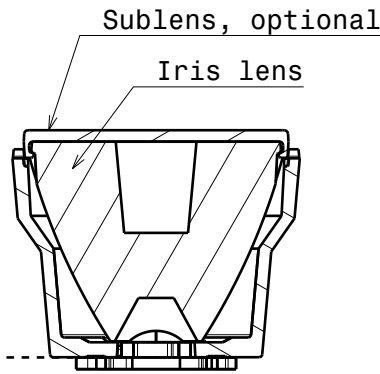
C

B

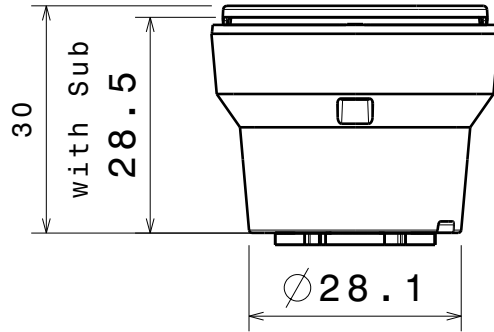
A



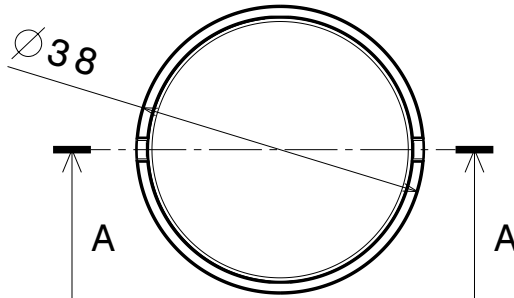
Isometric view



Section view A-A



Front view



Top view

Materials:
 Lens PMMA
 Holder PC

Part no.s:
 Spot CA10861
 Medium CA10953
 Oval CA11470

This drawing is our property.
 It can't be reproduced
 or communicated without
 our written agreement.



L
T
F
F

e
e
i
i
N
n

d

DRAWING TITLE

Datasheet Iris MC/ Ostar assy

DRAWN BY

DATE

p

03.02.2009

CHECKED BY

DATE

t

k

02.02.2009

DESIGNED BY

DATE

pv

26.01.2009

SIZE

A4

DRAWING NUMBER

-

REV

1

SCALE

1:1

WEIGHT (g)

SHEET

1/1

D

A

4

4

3

3

2

2

1

1