



## Emily Emily series



<b>Ordering number</b>	<b>C11933</b>		
<b>Description</b>	<b>C11933-Emily-W-RE-ES</b>		
Family	Emily	FWHM	40 degrees
Type	Lens	Efficiency	86
LED	Luxeon-Rebel-ES	cd/lm	-
Color	Transparent	Gerber File	Available
Diameter	26 mm		
Height	15.00 mm		
Style	Round		
Optic Material	PMMA		
Holder Material	-		
Fastening	Tape, pin		
Status	Ready		



<b>Ordering number</b>	<b>CA11934</b>		
<b>Description</b>	<b>CA11934_Emily-W-RE-ES</b>		
Family	Emily	FWHM	40 degrees
Type	Lens	Efficiency	86
LED	Luxeon-Rebel-ES	cd/lm	-
Color	Transparent	Gerber File	Available
Diameter	26 mm		
Height	15.00 mm		
Style	Round		
Optic Material	PMMA		
Holder Material	-		
Fastening	Tape, pin		
Status	Ready		

D

C

B

A

Material: PMMA

Part no.s:

- C11377\_Emily-SS-XP-G
- C11378\_Emily-M-XP-G
- C11379\_Emily-O-XP-G
- C11380\_Emily-O-90-XP-G

- C11377\_Emily-SS-XP
- C11378\_Emily-M-XP
- C11379\_Emily-O-XP
- C11380\_Emily-O-90-XP

- C11377\_Emily-SS-OSL
- C11378\_Emily-M-OSL
- C11379\_Emily-O-OSL
- C11380\_Emily-O-90-OSL

- C11377\_Emily-SS-N119
- C11378\_Emily-M-N119
- C11379\_Emily-O-N119
- C11380\_Emily-O-90-N119

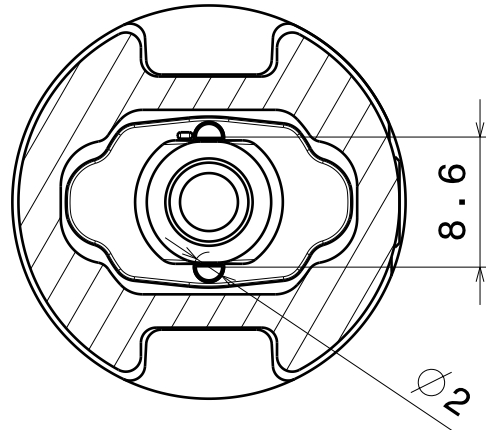
With tape:

- CA11387\_Emily-SS-XP-G
- CA11388\_Emily-M-XP-G
- CA11389\_Emily-O-XP-G
- CA11390\_Emily-O-90-XP-G

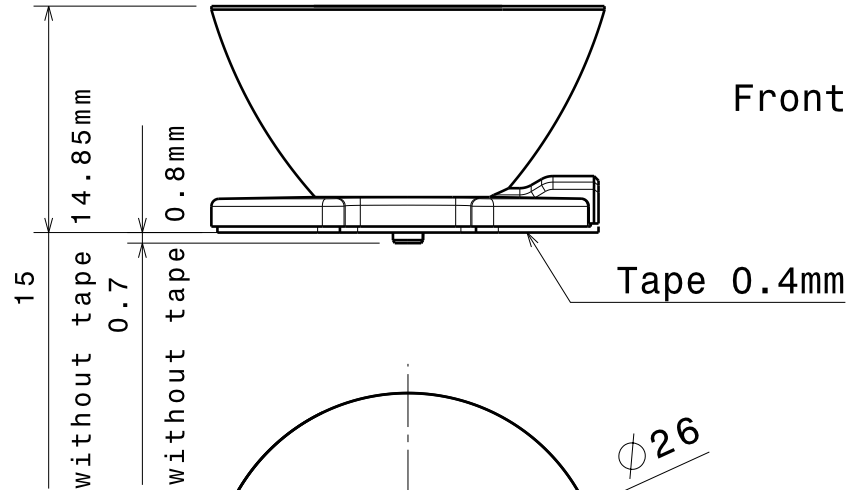
- CA11387\_Emily-SS-XP
- CA11388\_Emily-M-XP
- CA11389\_Emily-O-XP
- CA11390\_Emily-O-90-XP

- CA11387\_Emily-SS-OSL
- CA11388\_Emily-M-OSL
- CA11389\_Emily-O-OSL
- CA11390\_Emily-O-90-OSL

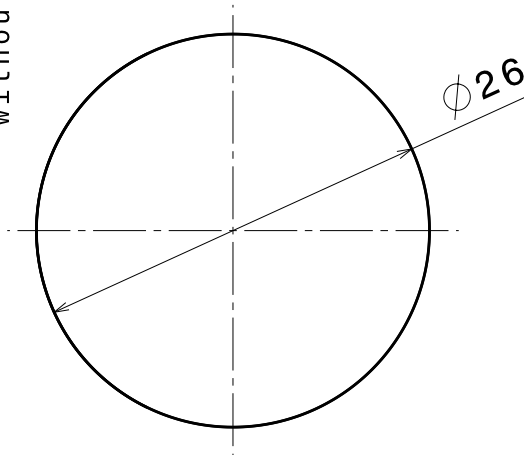
- CA11387\_Emily-SS-N119
- CA11388\_Emily-M-N119
- CA11389\_Emily-O-N119
- CA11390\_Emily-O-90-N119



Bottom view



Front view



Top view

This drawing is our property. It can't be reproduced or communicated without our written agreement.



Ledil Oy  
Tehdaskatu 13  
FIN-24100 SALO  
Finland

DRAWING TITLE

Datasheet Emily-Series Lens

DRAWN BY

pv

DATE

09.03.2010

CHECKED BY

tk

DATE

18.02.2010

DESIGNED BY

hh

DATE

18.02.2010

SIZE

A4

DRAWING NUMBER

REV

1

SCALE

2:1

WEIGHT (g)

SHEET

1/1

D

A