

## Leila LMX6 series



**Ordering number** FA10695  
**Description** FA10695\_LMX6-D

Family	Leila	FWHM	18 degrees
Type	Assembly	Efficiency	92
LED	MX-6	cd/lm	-
Color	Black	Gerber File	Available
Diameter	21.6 mm		
Height	13.3 mm		
Style	Round		
Optic Material	PMMA		
Holder Material	PC		
Fastening	Tape		
Status	Ready		



**Ordering number** FA10696  
**Description** FA10696-LMX6-RS

Family	Leila	FWHM	14 degrees
Type	Assembly	Efficiency	94
LED	MX-6	cd/lm	-
Color	Black	Gerber File	Available
Diameter	21.6 mm		
Height	13.3 mm		
Style	Round		
Optic Material	PMMA		
Holder Material	PC		
Fastening	Tape		
Status	Ready		



**Ordering number** FA10697  
**Description** FA10697-LMX6-M

Family	Leila	FWHM	26 degrees
Type	Assembly	Efficiency	90
LED	MX-6	cd/lm	-
Color	Black	Gerber File	Available
Diameter	21.6 mm		
Height	13.3 mm		
Style	Round		
Optic Material	PMMA		
Holder Material	PC		
Fastening	Tape		
Status	Ready		



**Ordering number** FA10698  
**Description** FA10698-LMX6-Rec

Family	Leila	FWHM	37+26 degrees
Type	Assembly	Efficiency	84
LED	MX-6	cd/lm	-
Color	Black	Gerber File	Available
Diameter	21.6 mm		
Height	13.3 mm		
Style	Round		
Optic Material	PMMA		
Holder Material	PC		
Fastening	Tape		
Status	Ready		



## Leila LMX6 series



**Ordering number** FA11108  
**Description** FA11108\_LMX6-O-90

Family	Leila	FWHM	40+19 degrees
Type	Assembly	Efficiency	91
LED	MX-6	cd/lm	-
Color	Black	Gerber File	Available
Diameter	21.6 mm		
Height	13.3 mm		
Style	Round		
Optic Material	PMMA		
Holder Material	PC		
Fastening	Tape		
Status	Ready		



**Ordering number** FA11465  
**Description** FA11465\_LMX6-M2

Family	Leila	FWHM	degrees
Type	Assembly	Efficiency	-
LED	MX-6	cd/lm	-
Color	Black	Gerber File	Available
Diameter	21.6 mm		
Height	13.3 mm		
Style	Round		
Optic Material	PMMA		
Holder Material	PC		
Fastening	Tape		
Status	Ready		



## Leila LMX6 series

Specially designed for MX-6 series of LEDs.

Fastening to heat sink with a PU foam adhesive tape of automotive grade.

Please find fastening details by clicking link below:

[http://ledil.fi/sites/default/files/Documents/Technical/Installation/20110406\\_DataSheet\\_TAPE.pdf](http://ledil.fi/sites/default/files/Documents/Technical/Installation/20110406_DataSheet_TAPE.pdf)

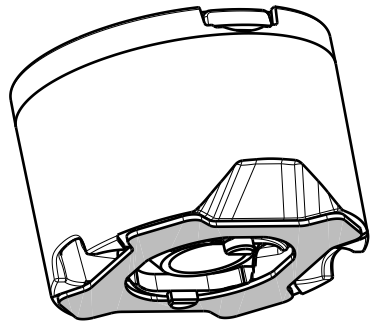
We advise customer to ensure the suitability and sufficiency of the bond in the end product. For example, mechanical stress, vibration and holes on the surface of the circuit board weaken the strength of the tape.

D

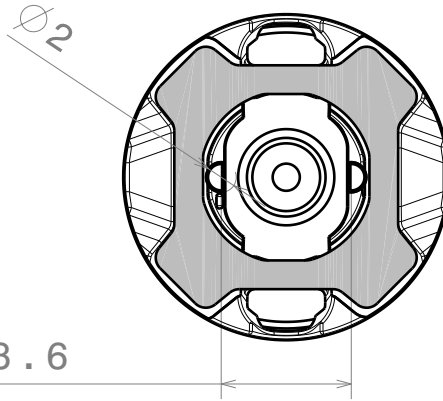
C

B

A



Isometric view

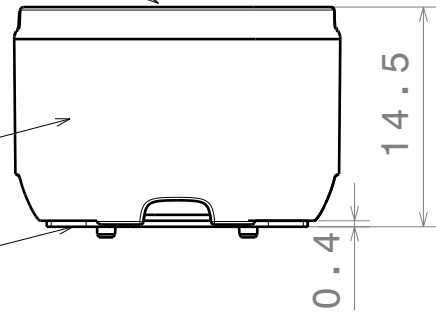


8.6  
c / c

Lens

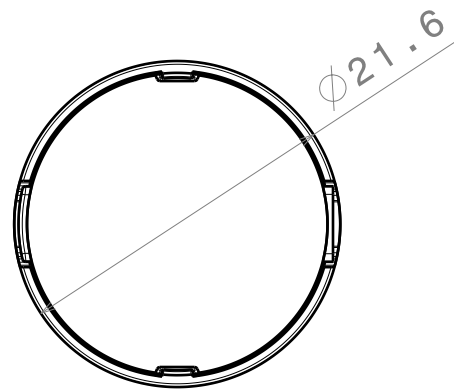
Holder

tape



14.5

0.4



Top view

Materials:  
 Lens: PMMA  
 Holder: PC white  
 Tape: PU FOAM

This drawing is our property.  
 It can't be reproduced  
 or communicated without  
 our written agreement.



L  
T  
F  
F

e  
e  
i  
i  
N  
n

d  
h

DRAWING TITLE

Datasheet LR2-ES series assy

DRAWN BY

DATE

m

28.12.2010

CHECKED BY

DATE

h

h

28.12.2010

SIZE

A4

DRAWING NUMBER

-

REV

1

DESIGNED BY

DATE

pl

27.08.2010

SCALE

1:1

WEIGHT (g)

SHEET

1/1

D

A

4

4

3

3

2

2

1

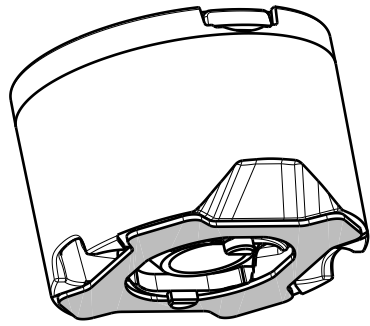
1

D

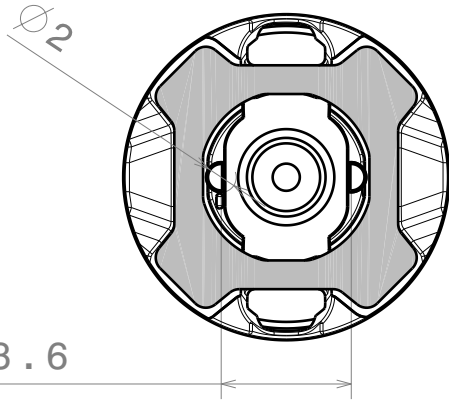
C

B

A



Isometric view

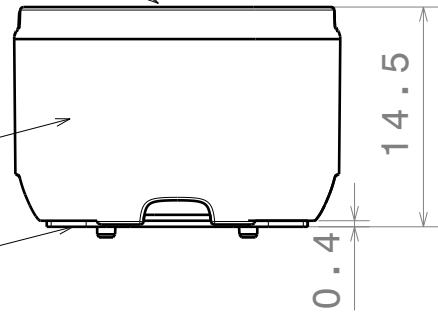


8.6  
c / c

Lens

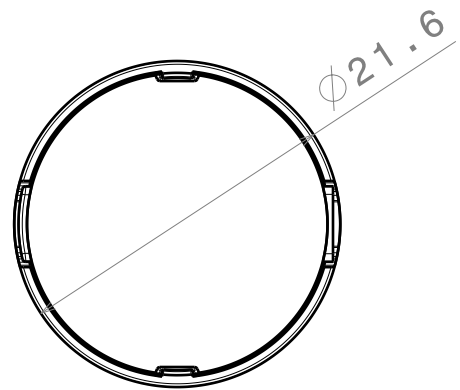
Holder

tape



14.5

0.4



21.6

Top view

Materials:  
 Lens: PMMA  
 Holder: PC white  
 Tape: PU FOAM

This drawing is our property.  
 It can't be reproduced  
 or communicated without  
 our written agreement.



L  
T  
F  
F

e  
e  
i  
i  
N  
n

d

h

DRAWING TITLE

Datasheet LR2-ES series assy

DRAWN BY

DATE

m

28.12.2010

CHECKED BY

DATE

h

h

28.12.2010

SIZE

A4

DRAWING NUMBER

-

REV

1

DESIGNED BY

DATE

pl

27.08.2010

SCALE

1:1

WEIGHT (g)

SHEET

1/1

D

A

4

4

3

3

2

2

1

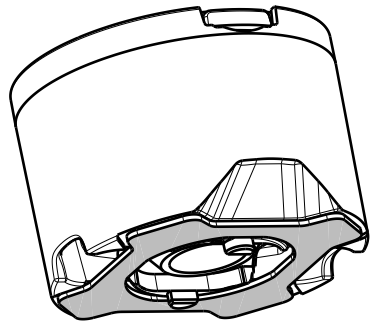
1

D

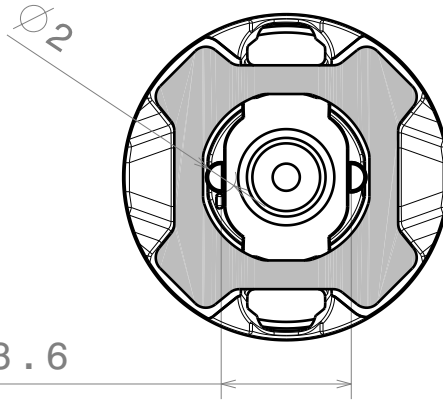
C

B

A



Isometric view

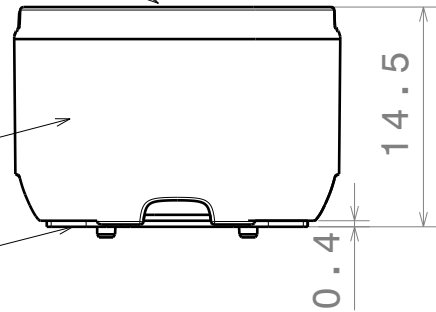


8.6  
c / c

Lens

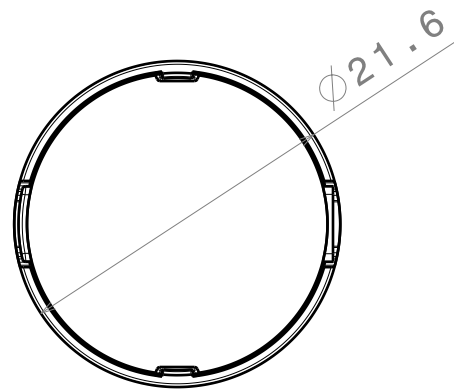
Holder

tape



14.5

0.4



Top view

Materials:  
 Lens: PMMA  
 Holder: PC white  
 Tape: PU FOAM

This drawing is our property.  
 It can't be reproduced  
 or communicated without  
 our written agreement.



L  
T  
F  
F

e  
e  
i  
i  
N  
n

d  
h

DRAWING TITLE

Datasheet LR2-ES series assy

DRAWN BY

DATE

m

28.12.2010

CHECKED BY

DATE

h

h

28.12.2010

SIZE

A4

DRAWING NUMBER

-

REV

1

DESIGNED BY

DATE

pl

27.08.2010

SCALE

1:1

WEIGHT (g)

SHEET

1/1

D

A

4

4

3

3

2

2

1

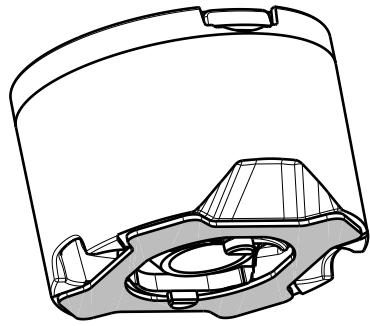
1

D

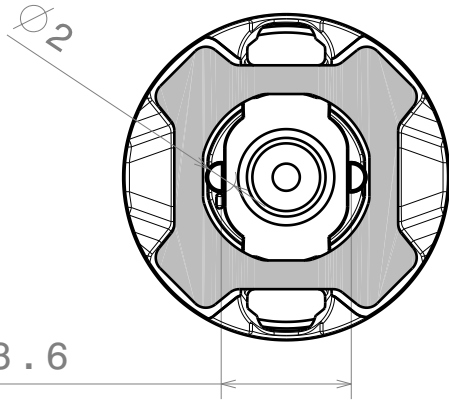
C

B

A



Isometric view

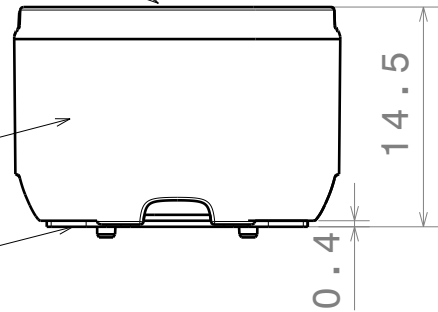


8.6  
c / c

Lens

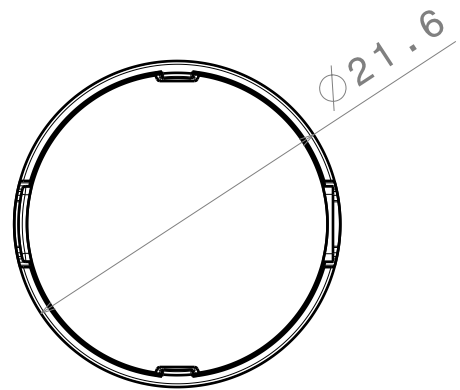
Holder

tape



14.5

0.4



Top view

Materials:  
 Lens: PMMA  
 Holder: PC white  
 Tape: PU FOAM

This drawing is our property.  
 It can't be reproduced  
 or communicated without  
 our written agreement.



L  
T  
F  
F

e  
e  
i  
i  
N  
n

d  
h

DRAWING TITLE

Datasheet LR2-ES series assy

DRAWN BY

DATE

m

28.12.2010

CHECKED BY

DATE

h

h

28.12.2010

DESIGNED BY

DATE

pl

27.08.2010

SIZE

A4

DRAWING NUMBER

-

REV

1

SCALE

1:1

WEIGHT (g)

SHEET

1/1

D

A

4

4

3

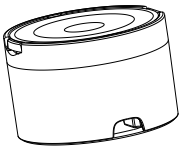
3

2

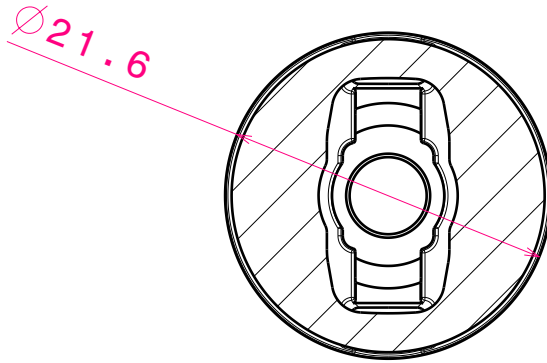
2

1

1



Isometric view  
Scale: 1:1



Bottom view



Front view

Holder: L03-LH1-tape

Tape 0.2mm

Materials;  
Lens: PMMA  
Holder: PC  
Tape: PU Foam

This drawing is our property.  
It can't be reproduced  
or communicated without  
our written agreement.



L  
T  
F  
F

e  
e  
i  
i  
N  
n

d

DRAWING TITLE

Datasheet L02-W tape assy

DRAWN BY p	DATE 12.01.2010
---------------	--------------------

CHECKED BY t k	DATE 19.12.2009
-------------------	--------------------

DESIGNED BY pv	DATE 06.12.2009
-------------------	--------------------

SIZE A4	DRAWING NUMBER -	REV 1
------------	---------------------	----------

SCALE 2:1	WEIGHT (g)	SHEET 1/1
--------------	------------	--------------

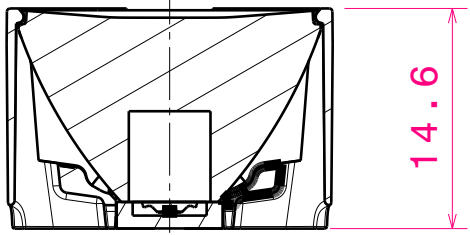


D

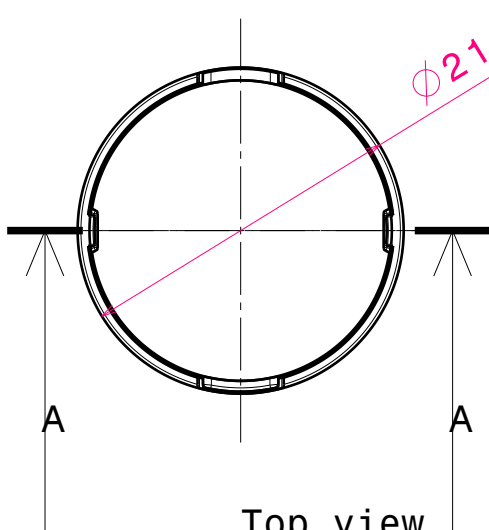
C

B

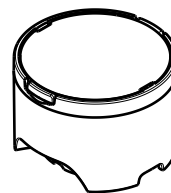
A



Section view A-A  
Scale: 2:1



Top view  
Scale: 2:1



Isometric view  
Scale: 1:1

Materials:  
lens PMMA  
holder PC

This drawing is our property.  
It can't be reproduced  
or communicated without  
our written agreement.



L  
T  
F  
F

e  
e  
i  
i  
N  
n

d

DRAWING TITLE

DATASHEET L02 Series

DRAWN BY P	DATE 19.05.2008
---------------	--------------------

CHECKED BY T K	DATE 19.05.2008
-------------------	--------------------

DESIGNED BY HH	DATE 30.04.2008
-------------------	--------------------

SIZE A4	DRAWING NUMBER	REV 0.1
------------	----------------	------------

SCALE 2:1	WEIGHT (g)	SHEET 1/1
--------------	------------	--------------

D

A

4

4

3

3

2

2

1

1

D C B A

4

3

2

1

Lens

Holder

Tape 0,2mm

16.5

Side view

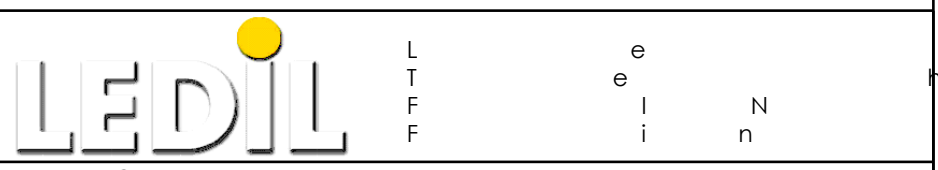
Top view

Ø21.6

MATERIALS  
 Lens: PMMA  
 Holder: PC  
 Tape: PU Foam

Part no.s:  
 FA10652\_LC1-M  
 FA10653\_LC1-RS  
 FA10654\_LC1-REC  
 FA10655\_LC1-D  
 FA11045\_LC1-W-Tape  
 FA11105\_LC1-O-90  
 FA11373\_LC1-MD-Tape  
 FA11449\_LC1-M2

This drawing is our property.  
 It can't be reproduced  
 or communicated without  
 our written agreement.



DRAWING TITLE  
**Datasheet Assembly LC1-series**

DRAWN BY  
 p

DATE  
 17.01.2011

CHECKED BY  
 t k

DATE  
 25.09.2008

DESIGNED BY  
**HH**

DATE  
 24.07.2008

SIZE **A4** DRAWING NUMBER - REV **1**

SCALE **2:1** WEIGHT (g) - SHEET **1/1**

D A

D C B A

4

3

2

1

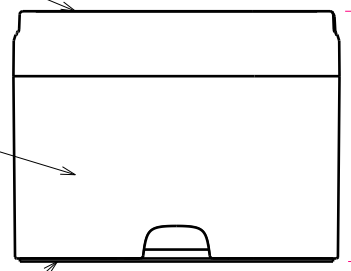
Lens

Holder

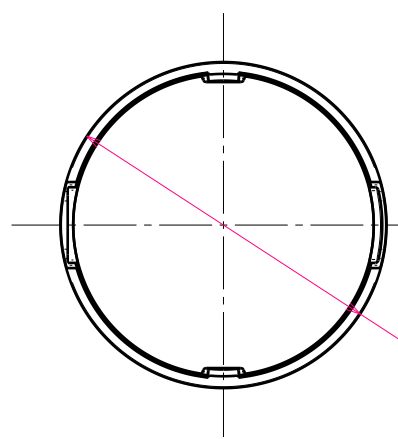
Tape 0,2mm

16.5

Side view



Top view



Ø21.6

MATERIALS  
 Lens: PMMA  
 Holder: PC  
 Tape: PU Foam

Part no.s:  
 FA10652\_LC1-M  
 FA10653\_LC1-RS  
 FA10654\_LC1-REC  
 FA10655\_LC1-D  
 FA11045\_LC1-W-Tape  
 FA11105\_LC1-O-90  
 FA11373\_LC1-MD-Tape  
 FA11449\_LC1-M2

This drawing is our property.  
 It can't be reproduced  
 or communicated without  
 our written agreement.



L T F F e i n e i n

DRAWING TITLE  
**Datasheet Assembly LC1-series**

DRAWN BY  
 p DATE  
 17.01.2011

CHECKED BY  
 t k DATE  
 25.09.2008

DESIGNED BY  
**HH** DATE  
 24.07.2008

SIZE A4 DRAWING NUMBER - REV 1

SCALE 2:1 WEIGHT (g) - SHEET 1/1

D A

D C B A

4

3

2

1

Lens

Holder

Tape 0,2mm

16.5

Side view

Top view

Ø21.6

MATERIALS  
 Lens: PMMA  
 Holder: PC  
 Tape: PU Foam

Part no.s:  
 FA10652\_LC1-M  
 FA10653\_LC1-RS  
 FA10654\_LC1-REC  
 FA10655\_LC1-D  
 FA11045\_LC1-W-Tape  
 FA11105\_LC1-O-90  
 FA11373\_LC1-MD-Tape  
 FA11449\_LC1-M2

This drawing is our property.  
 It can't be reproduced  
 or communicated without  
 our written agreement.



L T F F e i n e i n

DRAWING TITLE  
**Datasheet Assembly LC1-series**

DRAWN BY  
 p DATE  
 17.01.2011

CHECKED BY  
 t k DATE  
 25.09.2008

DESIGNED BY  
**HH** DATE  
 24.07.2008

SIZE A4 DRAWING NUMBER - REV 1

SCALE 2:1 WEIGHT (g) - SHEET 1/1

D A

D C B A

4

3

2

1

Lens

Holder

Tape 0,2mm

16.5

Side view

Top view

Ø21.6

MATERIALS  
 Lens: PMMA  
 Holder: PC  
 Tape: PU Foam

Part no.s:  
 FA10652\_LC1-M  
 FA10653\_LC1-RS  
 FA10654\_LC1-REC  
 FA10655\_LC1-D  
 FA11045\_LC1-W-Tape  
 FA11105\_LC1-O-90  
 FA11373\_LC1-MD-Tape  
 FA11449\_LC1-M2

This drawing is our property.  
 It can't be reproduced  
 or communicated without  
 our written agreement.



L T F F e i n e i n

DRAWING TITLE  
**Datasheet Assembly LC1-series**

DRAWN BY  
 p DATE  
 17.01.2011

CHECKED BY  
 t k DATE  
 25.09.2008

DESIGNED BY  
**HH** DATE  
 24.07.2008

SIZE A4 DRAWING NUMBER - REV 1

SCALE 2:1 WEIGHT (g) - SHEET 1/1

D A

D C B A

4

3

2

1

Lens

Holder

Tape 0,2mm

16.5

Side view

Top view

Ø21.6

MATERIALS  
 Lens: PMMA  
 Holder: PC  
 Tape: PU Foam

Part no.s:  
 FA10652\_LC1-M  
 FA10653\_LC1-RS  
 FA10654\_LC1-REC  
 FA10655\_LC1-D  
 FA11045\_LC1-W-Tape  
 FA11105\_LC1-O-90  
 FA11373\_LC1-MD-Tape  
 FA11449\_LC1-M2

This drawing is our property.  
 It can't be reproduced  
 or communicated without  
 our written agreement.



L T F F e i n e i n

DRAWING TITLE  
**Datasheet Assembly LC1-series**

DRAWN BY  
 p DATE  
 17.01.2011

CHECKED BY  
 t k DATE  
 25.09.2008

DESIGNED BY  
**HH** DATE  
 24.07.2008

SIZE A4 DRAWING NUMBER - REV 1

SCALE 2:1 WEIGHT (g) - SHEET 1/1

D A

D C B A

4

3

2

1

Lens

Holder

Tape 0,2mm

16.5

Side view

Top view

Ø21.6

MATERIALS  
 Lens: PMMA  
 Holder: PC  
 Tape: PU Foam

Part no.s:  
 FA10652\_LC1-M  
 FA10653\_LC1-RS  
 FA10654\_LC1-REC  
 FA10655\_LC1-D  
 FA11045\_LC1-W-Tape  
 FA11105\_LC1-O-90  
 FA11373\_LC1-MD-Tape  
 FA11449\_LC1-M2

This drawing is our property.  
 It can't be reproduced  
 or communicated without  
 our written agreement.



L T F F e i n e i n

DRAWING TITLE  
**Datasheet Assembly LC1-series**

DRAWN BY  
 p DATE  
 17.01.2011

CHECKED BY  
 t k DATE  
 25.09.2008

DESIGNED BY  
**HH** DATE  
 24.07.2008

SIZE A4 DRAWING NUMBER - REV 1

SCALE 2:1 WEIGHT (g) - SHEET 1/1

D A

D C B A

4

3

2

1

Lens

Holder

Tape 0,2mm

16.5

Side view

Top view

Ø21.6

MATERIALS  
 Lens: PMMA  
 Holder: PC  
 Tape: PU Foam

Part no.s:  
 FA10652\_LC1-M  
 FA10653\_LC1-RS  
 FA10654\_LC1-REC  
 FA10655\_LC1-D  
 FA11045\_LC1-W-Tape  
 FA11105\_LC1-O-90  
 FA11373\_LC1-MD-Tape  
 FA11449\_LC1-M2

This drawing is our property.  
 It can't be reproduced  
 or communicated without  
 our written agreement.



L T F F e i n e i n

DRAWING TITLE  
**Datasheet Assembly LC1-series**

DRAWN BY  
 p DATE  
 17.01.2011

CHECKED BY  
 t k DATE  
 25.09.2008

DESIGNED BY  
**HH** DATE  
 24.07.2008

SIZE A4 DRAWING NUMBER - REV 1

SCALE 2:1 WEIGHT (g) - SHEET 1/1

D A



D C B A

4

3

2

1

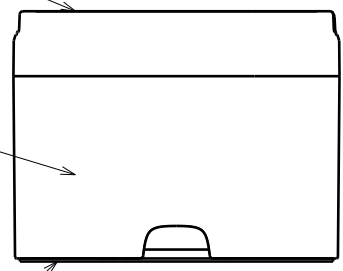
Lens

Holder

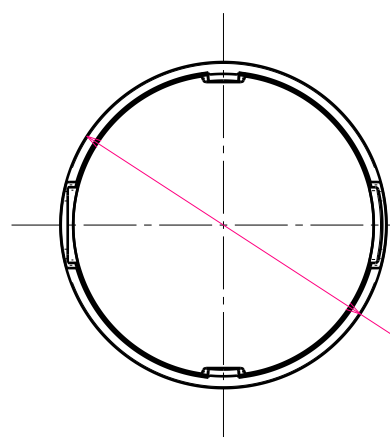
Tape 0,2mm

16.5

Side view



Top view



Ø21.6

MATERIALS  
 Lens: PMMA  
 Holder: PC  
 Tape: PU Foam

Part no.s:  
 FA10652\_LC1-M  
 FA10653\_LC1-RS  
 FA10654\_LC1-REC  
 FA10655\_LC1-D  
 FA11045\_LC1-W-Tape  
 FA11105\_LC1-O-90  
 FA11373\_LC1-MD-Tape  
 FA11449\_LC1-M2

This drawing is our property.  
 It can't be reproduced  
 or communicated without  
 our written agreement.



L T F F e i n e i n

DRAWING TITLE  
**Datasheet Assembly LC1-series**

DRAWN BY  
 p DATE  
 17.01.2011

CHECKED BY  
 t k DATE  
 25.09.2008

DESIGNED BY  
**HH** DATE  
 24.07.2008

SIZE A4 DRAWING NUMBER - REV 1

SCALE 2:1 WEIGHT (g) - SHEET 1/1

D A

D

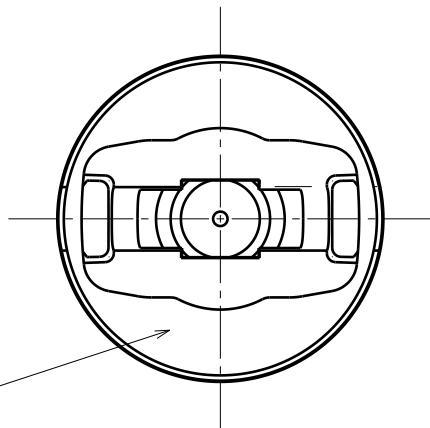
C

B

A

4

4

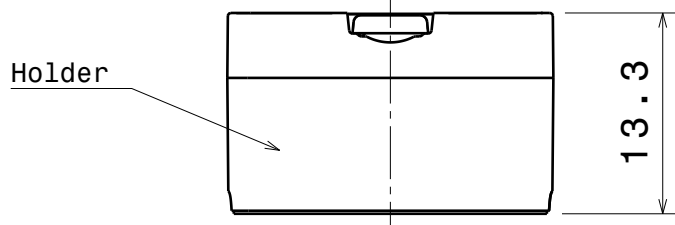


Bottom view

Tape

3

3



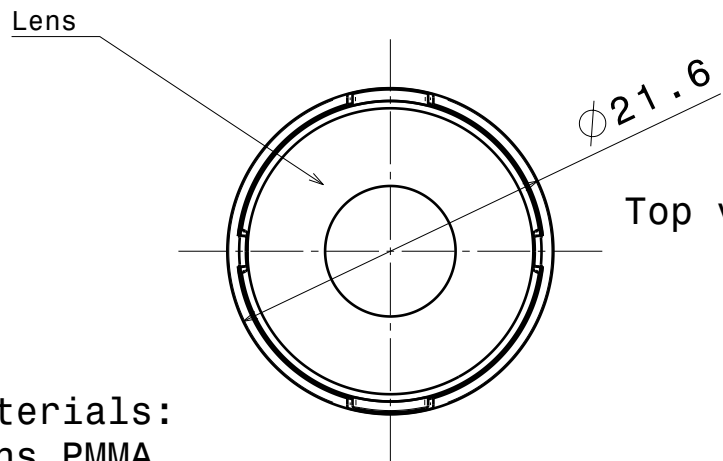
Holder

13.3

Side view

2

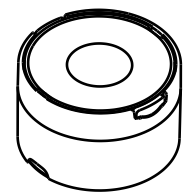
2



Lens

21.6

Top view



Materials:  
 lens PMMA  
 holder PC

This drawing is our property.  
 It can't be reproduced  
 or communicated without  
 our written agreement.



L  
T  
F  
F

e  
e  
i  
i  
N  
n

d

DRAWING TITLE

Datasheet LMX6-series Assy

DRAWN BY  
 P V

DATE  
 03.09.2008

CHECKED BY  
 h h

DATE  
 02.09.2008

SIZE  
 A4

DRAWING NUMBER

REV  
 0.1

DESIGNED BY  
 pv

DATE  
 28.08.2008

SCALE

2:1

WEIGHT (g)

SHEET

1/1

1

1

D

A