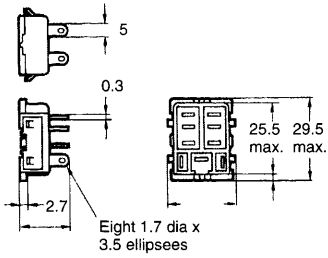
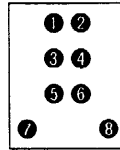


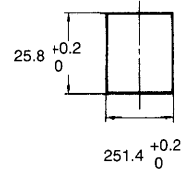
PT08



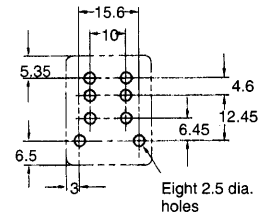
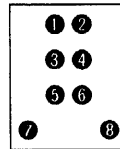
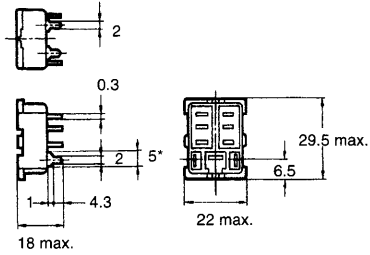
Terminal arrangement (top view)



Mounting holes

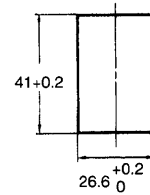
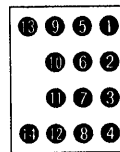
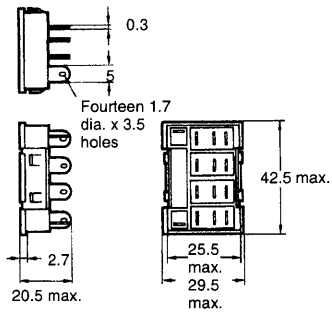


PT08-0

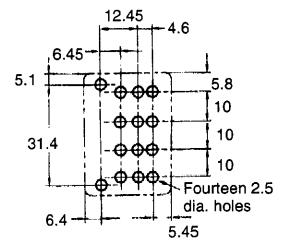
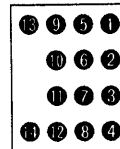
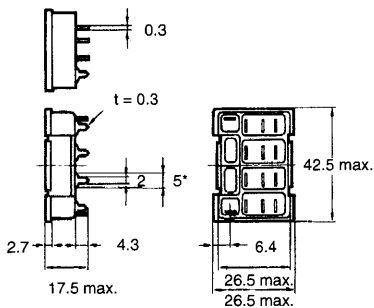


The tolerance is +0.1.

PT14



PT14-0



The tolerance is +0.1.

*A proper distance between the socket and PC board patterns should be kept.