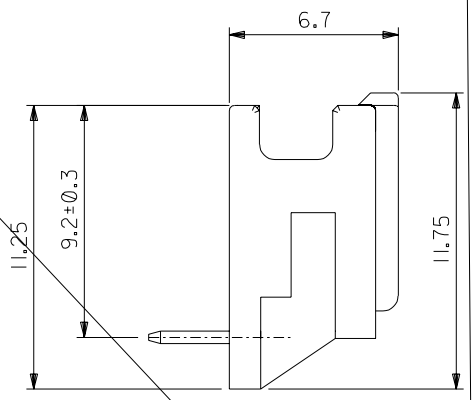
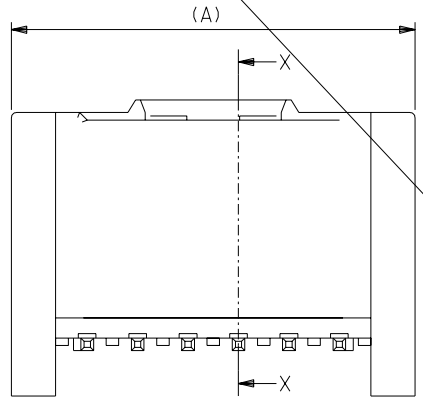
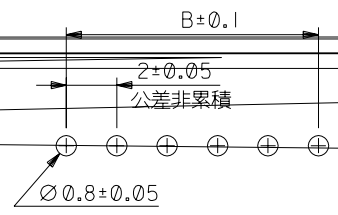


SECT. X-X



SECT. X-X

NOTE
 嵌合相手: 51382-****
 偶数極 (2)



推奨基板寸法
 (t = 1.6)

31	28		55935-15**	15
29	26		55935-14**	14
27	24		55935-13**	13
25	22		55935-12**	12
23	20		55935-11**	11
21	18		55935-10**	10
19	16		55935-09**	9
17	14		55935-08**	8
15	12		55935-07**	7
13	10		55935-06**	6
11	8		55935-05**	5
9	6		55935-04**	4
7	4		55935-03**	3
5	2		55935-02**	2
C	B	A	MATERIAL NO.	CKT.

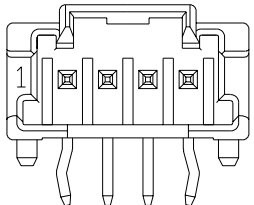
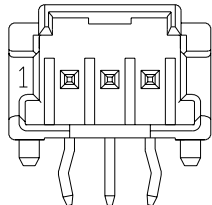
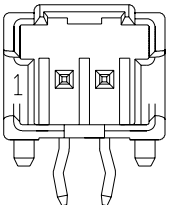
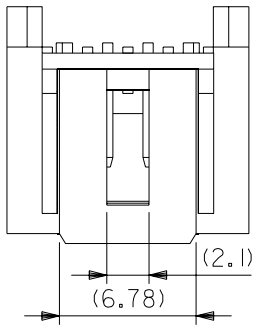
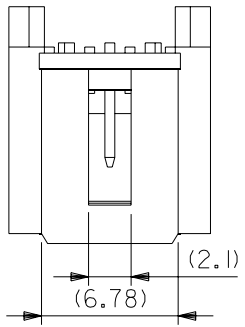
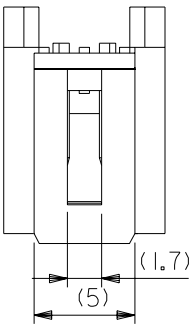
MODEL NO.: 55935-****

RELEASED '02/5/15
 T.NIITSU
 K.ASAKAWA
 T.YAMAGUCHI

ハウジング: PBT

T.NIITSU '02/5/15

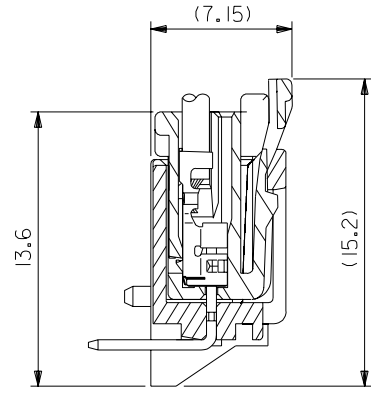
8 7 6 5 4 3 2 1



2 CIRCUIT

3 CIRCUIT

4 CIRCUIT



嵌合断面図

無鉛
LEAD FREE

DO NOT SCALE DRAWING

REV	INS. RANGE 被覆外径	MATERIAL 材料	FINISH 仕上げ	WIRE RANGE 適用線径範囲	DESCRIPTION	REVISED '03/6/12 J2003-3127 DRWN: N.ITO CHK: K.ASAKAWA APPR: T.YAMAGUCHI	REVISED '03/4/04 J2003-2421 DRWN: N.ITO CHK: K.ASAKAWA APPR: T.YAMAGUCHI	RELEASED '02/5/15 J2002-2827 DRWN: T.NIITSU CHK: K.ASAKAWA APPR: T.YAMAGUCHI
	B					A	Ø	

GENERAL TOLERANCES: (UNLESS SPECIFIED) 一般公差	SCALE	DESIGN UNITS <input checked="" type="checkbox"/> mm <input type="checkbox"/> INCH	PROJECTION <input checked="" type="checkbox"/> FIRST ANGLE
10 UNDER 未満	±0.2	DRAWN BY & DATE T.NIITSU '02/5/15	TITLE: 2.0 W/B SINGLE CONN. PLUG HOUSING ASS'Y R/A WITH BOSS
10 OVER 以上	±0.25	CHECKED BY & DATE K.ASAKAWA '03/6/12	MOLEX INCORPORATED
30 UNDER 未満	±0.3	APPROVED BY & DATE T.YAMAGUCHI '03/6/12	MATERIAL NO. 55935-****
30 OVER 以上	±3°	CAD FILENAME SD-55935-005.S02	DRAWING NO. SD-55935-005
ANGLE 角度		THIS DRAWING CONTAINS INFORMATION THAT IS PROPRIETARY TO MOLEX INCORPORATED AND SHOULD NOT BE USED WITHOUT WRITTEN PERMISSION.	

MODEL NO. : 55935-****	DIMENSIONS: <input type="checkbox"/> mm <input type="checkbox"/> INCH	SHT	REV
	<input type="checkbox"/> mm ONLY		BASE ON CAD ONLY

MATERIAL NO. 55935-****	DRAWING NO. SD-55935-005	SHEET NO. 2 of 2
SIZE B		