



EM Electronic Keeper

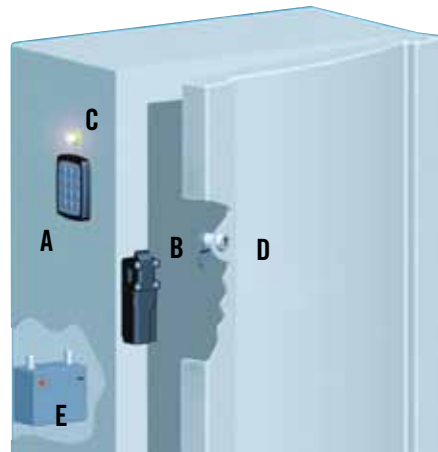
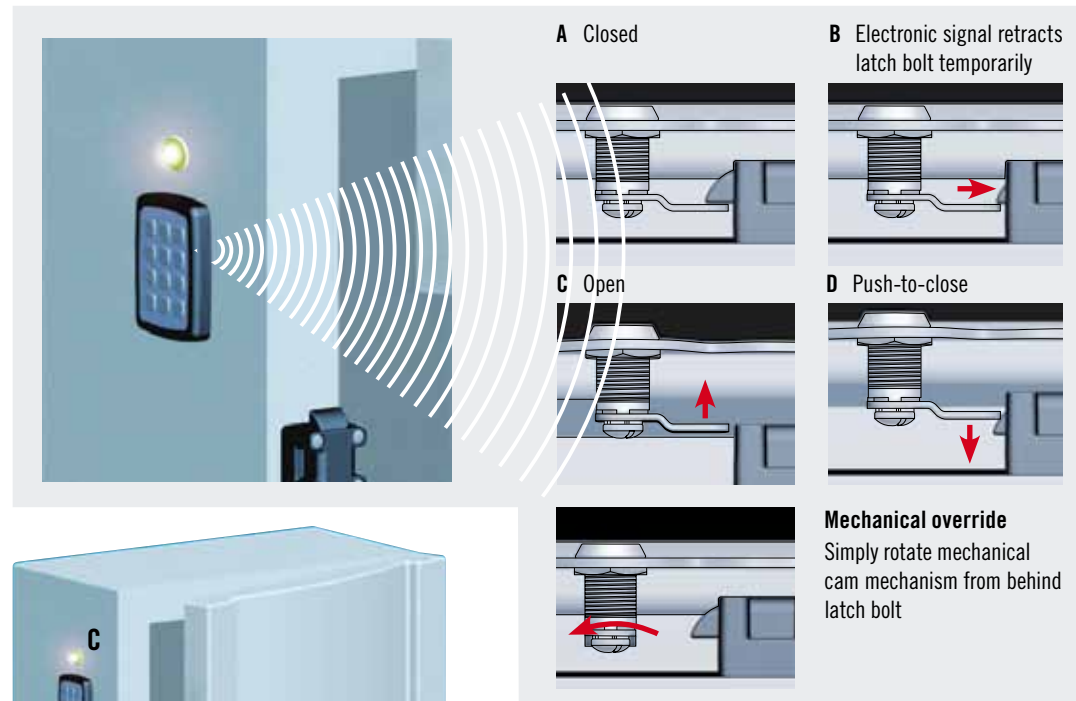
Electronic strike

Upgrade any manual latching system to electronic access by replacing the fixed keeper component with the electronically controlled Electronic Keeper. The versatile Electronic Keeper fits a variety of applications with multiple mounting configurations and simple installation and operation.

- 12 and 24 Volt available
- Simple transition from mechanical to electronic access
- "Push-to-close" convenience for any application – retrofit or new installation
- Accepts signals from any electronic actuation source
- Frame-side mounting simplifies wiring
- Single or multi-point latching
- Permits remote monitoring, audit trails and alarming
- Works with a variety of door mounted mechanical latches

Every Electronic Keeper installation works on these same basic principles:

Electronic Actuation



- Electronic access control device**
 - Electronic access controller generates standard 12-24 V output signal upon receipt of valid credentials
- Electronic Keeper electromechanical latch**
- Optional position feedback signal**
- Mechanical latch**
 - Key-locking latch can be unlocked to provide controlled access as a manual override
- Power supply**

Installation Options



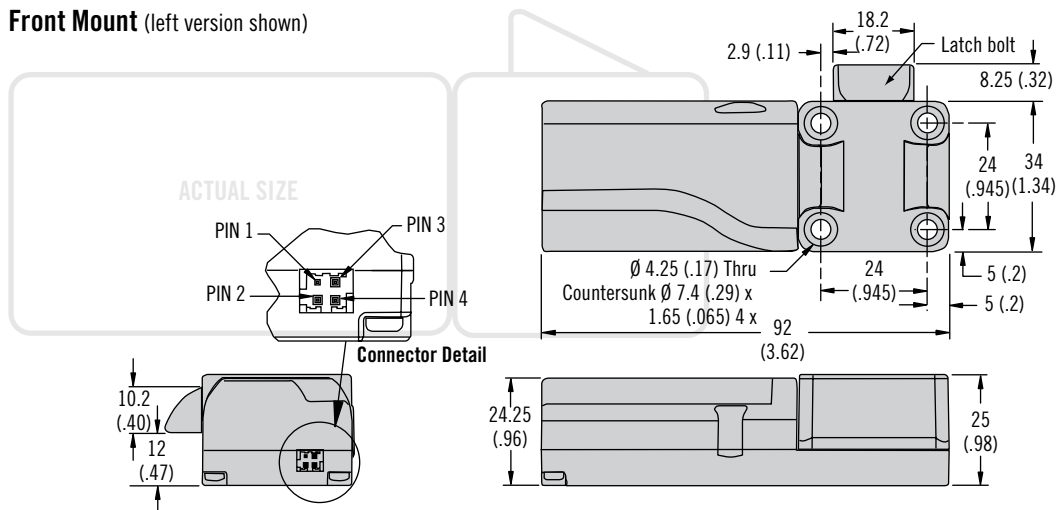
1 Center orientation

2 Left or right orientation

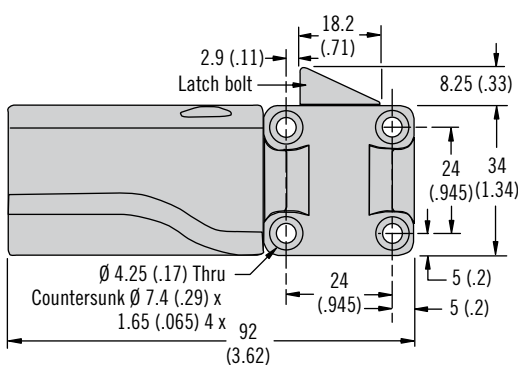
3 Side mount (left version shown)



Front Mount (left version shown)



Side Mount (left version shown)



Wire harness and connector



Part Number	
Wire Harness with Mate Connector (order separately)	Length
EM-10-40	300 (11.81)
EM-10-41	1000 (39.37)
EM-10-42	2000 (78.74)

Rotation Kit

Part Number	
Rotation Kit * (order separately)	EM-10-32-85



VDC	PART NUMBERS	Front Mount Version
12VDC 24VDC	EM-10-13-310 EM-10-13-410	Left
12VDC 24VDC	EM-10-11-310 EM-10-11-410	Center
12VDC 24VDC	EM-10-12-310 EM-10-12-410	Right

VDC	PART NUMBERS	Side Mount Version
12VDC 24VDC	EM-10-23-310 EM-10-23-410	Left
12VDC 24VDC	EM-10-21-310 EM-10-21-410	Center
12VDC 24VDC	EM-10-22-310 EM-10-22-410	Right

Material & Finish

Enclosure & latch bolt:
Thermoplastic
Housing assembly screws:
Steel, zinc plated

Electrical Specifications

Recommended operating voltage:
12-24 Volt DC
Other voltages available,
contact Southco for details.
No load operating current:
200 mA @ 12-24 V
Peak stall / current: 1 A

Control Input

Retracted Position: 12-24 Volt DC
The latch bolt will remain retracted
for as long as the signal is present
or a minimum of 1 second.
Input Signal Current: 25 mA
Extended Position: 0 VDC

Output Signal

Output Signal Rating:
450 mA Max. load
Output will turn on when latch bolt
is in retracted position. Output slow
flashes On/Off when latch error
occurs.
No signal at latch bolt extended
position.

Connector

PIN 1: Control input signal
PIN 2: Power (+)
PIN 3: Output signal
PIN 4: Ground (-)
Mate connector not included, order
separately.

The Electronic Keeper is provided
with a specific latch bolt orientation
(Left, Right or Center). Latch bolt
direction can be re-oriented using
the appropriate replacement gear
from the *optional rotation kit.

Part Number

See table