

Flowmeters & Monitors

Dataflow - 4 to 20mA and Pulse Output Flow Transmitters

Features & Benefits



- 4 to 20mA output.
- Pulse output available for totalising/batching.
- Works in any plane.
- Accepts reverse flow.
- Maximum flow 150 l/min.
- Negligible pressure drop.
- Pressures up to 10 bar.
- Low cost. Simple to install.
- For use with most liquids.
- Factory calibrated. Accuracy $\pm 2\%$.
- DIN plug connector (included).

Specification

Construction:

Borosilicate glasstube.
Nitrile seals.
Body – Glass filled nylon.
Rotor and locater – Acetal.
Washers and shaft – Stainless steel.
Rotor tips – Stainless steel.

Max. working pressure:
10 bar oil/water.

Flow indication:

Min: 2 l/min.
Max: 150 l/min.
Accepts reverse flow.

Accuracy:

$\pm 2\%$ FSD.

Temp range:

+5°C to +80°C oil.
+5°C to +60°C water.

Connections:

1" BSP parallel threads.

Weight:

0.7Kg.

Calibration 4 to 20mA:

4mA = 0 l/min,
20mA = 100 l/min.

Calibration pulse output per litre:

'K' factors.
Oil = 51.14
Water = 44.25

Electrical details 4 to 20mA:

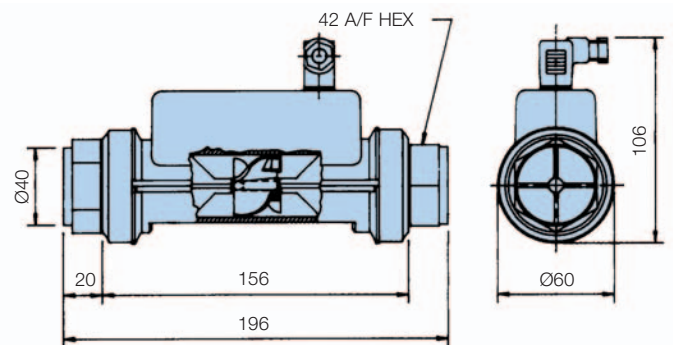
Supply = 24Vdc.

Pulse output:

Supply = 24Vdc.
(open collector transistor).



Installation Details



Ordering Information

Standard products table

Product number	Supersedes	Description
DFT980	DFT.980	Dataflow "Pulse" output transmitter
DFT990	DFT.990	Dataflow 4-20mA transmitter

Note 1: Part numbers featured with bold highlighted codes will ensure a 'standard' product selection.

Note 2: Alternate displayed part number selection will require you to contact Parker Filtration for availability.



Dataflow 4-20mA transmitter can be connected to a Digital Display Unit (DDU1001 or DDU1002)

Digital Display Specification (DFT 990 only)

For indicator options please refer to MS150 section of the catalogue, reference DDU1001 and DDU1002 indicators

4 to 20mA On-Site Calibration

Set your system to zero flow. Connect a multimeter across terminals 1 (+20mA) and \oplus (0mA) (Dia. 2). Set the zero to read 4mA on your multimeter (Dia. 1). Set your system to full flow and set the span to read 20mA on your multimeter. (Dia. 1)

Note: Minimum span setting = 30 l/min

Diagram 1

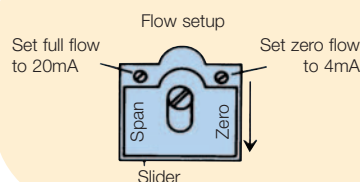


Diagram 2

