

Actual information about approvals can be found on  
<http://www.schurter.com/approvals>



C14



70° C

### Description

- Panel mount:  
Screw-on version from front side
- 4 Functions:  
Connector Protection class I, Line switch 2-pole, Fuseholder for fuse-links 5 x 20 mm 1-pole, Line-filter in standard version
- Quick connect terminals 6.3 x 0.8 mm
- Alternative: Fuseholder 2-pole [FKI](#)

### Characteristics

- Compact design with optimal shielding
- All single elements are already wired
- The fuseholder is accessible from the equipment front  
Plug removal necessary for fuse-link replacement
- Qualified for use in equipment according IEC/EN 60950

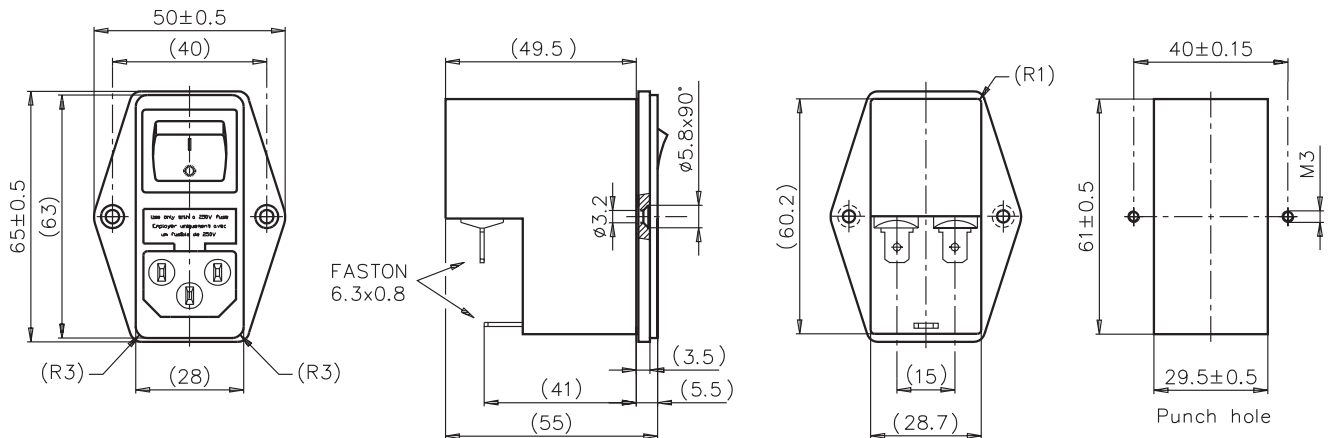
### Technical data

Ratings IEC	1 - 10 A @ Ta 40 °C / 250 VAC; 50 Hz
Ratings UL/CSA	1 - 10 A @ Ta 40 °C / 125 VAC; 60 Hz
Leakage current	standard < 0.25 mA (250 V / 60 Hz)
Dielectric strength	> 1.7 kVDC between L-N > 2.7 kVDC between L/N-PE Test voltage (2 sec)
Allowable operation temp.	-25 °C to 85 °C
Climatic category	25/085/21, IEC 60068-1
Degree of protection	from front side IP40 acc. to IEC 60529
Protection class	Suitable for appliances with protection class I acc. to IEC 61140
Terminals	Quick connect terminals 6.3 x 0.8 mm
Panel thickness s	Screw-on: max 8 mm Mounting screw torque max 0.5 Nm
Materials: Housing	Thermoplastic, black, UL 94V-0

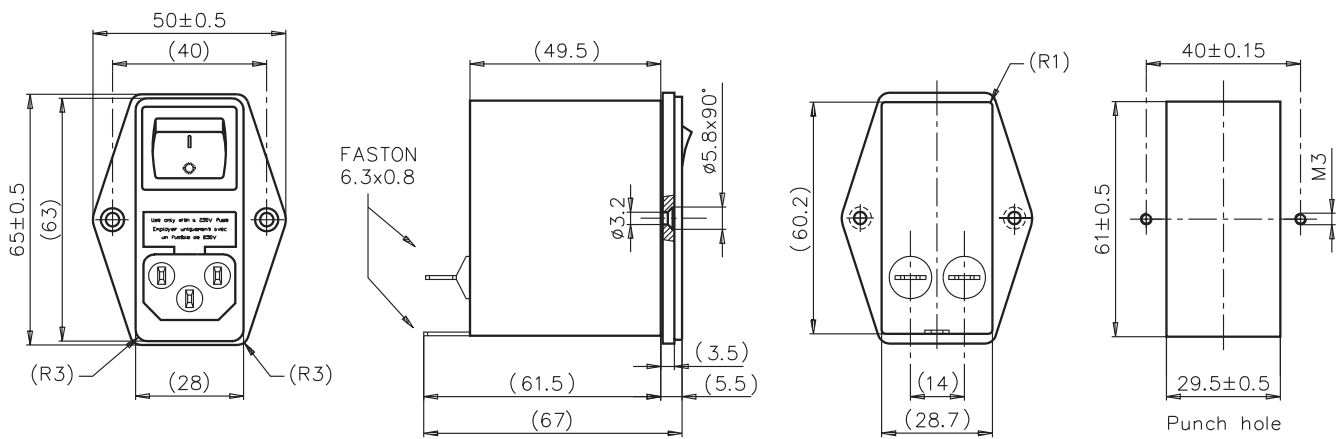
Appliance-inlet /-outlet	C14 acc. to IEC/EN 60320-1, UL 498, CSA C22.2 no. 42 (for cold condition) pin-temperature 70 °C, 10 A, Protection class I
Fuseholder	1-pole, Shocksave category PC2 acc. to IEC/EN 60127-6, for fuse-links 5 x 20 mm
Power acceptance @ Ta > 23°C	Admissible power acceptance at higher ambient temperature see derating curves. Take note of the information <a href="#">GENERAL PRODUCT INFORMATION</a>
Line switch	Rocker switch 2-pole, non-illuminated, acc. to IEC 61058-1 Technical details <a href="#">GENERAL PRODUCT INFORMATION</a>
Line filter	Standard Version, IEC 60939, IEC 60601-1, UL 1283, UL 544, EN 133 200, CSA C22.2 no. 8 Technical details <a href="#">GENERAL PRODUCT INFORMATION</a>

Dimensions

Case 50



Case 45

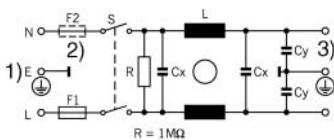


Technical data of filter-components

Rated current [A]	Filter-Type	Inductances L [mH]	Capacitance CX [nF]	Capacitance CY [nF]	R [M $\Omega$ ]
1	Standard Version	2 x 10	68	2.2	1
2	Standard Version	2 x 4	68	2.2	1
4	Standard Version	2 x 1.5	68	2.2	1
6	Standard Version	2 x 0.8	68	2.2	1
10	Standard Version	2 x 0.3	68	2.2	1

Diagrams

Standard Version



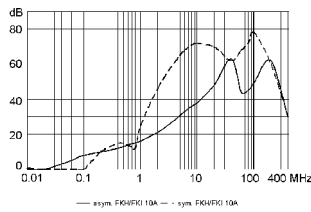
- 1) Line
- 2) only FKI
- 3) Load

## Attenuation loss

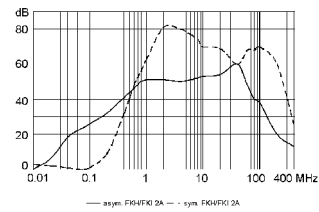
- - - differential mode    — common mode

Standard version

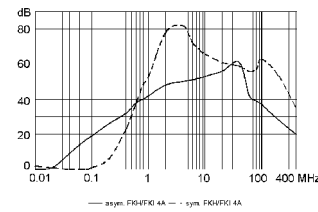
1 A



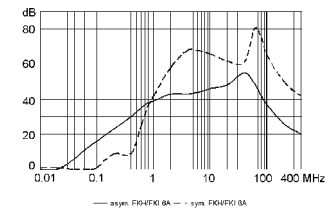
2 A



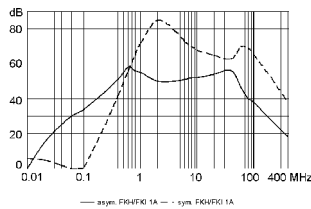
4 A



6 A

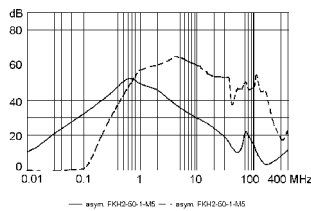


10 A

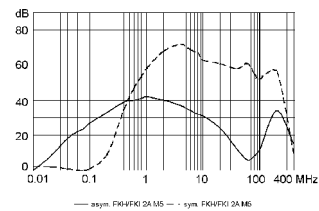


Medical version

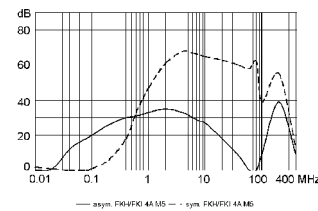
1 A



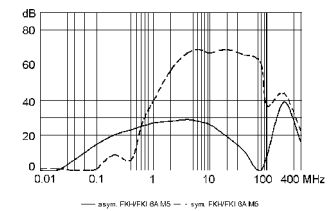
2 A



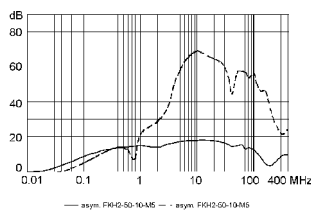
4 A



6 A



10 A



## Variants

Socket and fuse drawer

Order Number	Type	Rated current [A]	Filter-Type	Fuseholder	Line switch	Case	Materials: Housing
4304.4041	FKH	1	Standard Version	1-pole	2-pole	45	Aluminum
4304.4042	FKH	2	Standard Version	1-pole	2-pole	45	Aluminum
4304.4043	FKH	4	Standard Version	1-pole	2-pole	45	Aluminum
4304.4044	FKH	6	Standard Version	1-pole	2-pole	45	Aluminum
4304.4045	FKH	10	Standard Version	1-pole	2-pole	45	Aluminum
4304.4001	FKH	1	Standard Version	1-pole	2-pole	50	Nickel plated steel
4304.4002	FKH	2	Standard Version	1-pole	2-pole	50	Nickel plated steel
4304.4003	FKH	4	Standard Version	1-pole	2-pole	50	Nickel plated steel
4304.4004	FKH	6	Standard Version	1-pole	2-pole	50	Nickel plated steel
4304.4005	FKH	10	Standard Version	1-pole	2-pole	50	Nickel plated steel

Packaging unit

10 Pcs