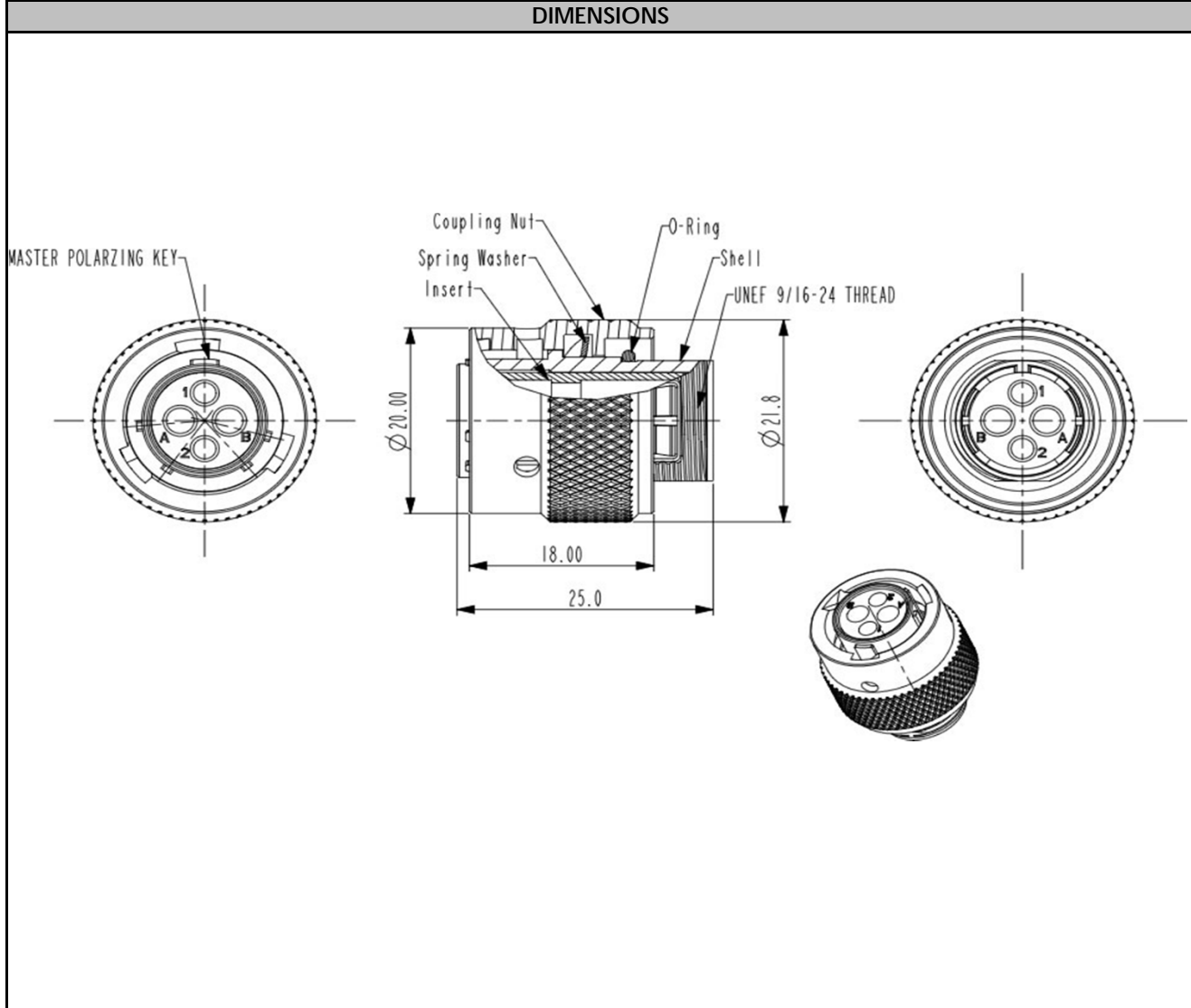


CONFIGURATION	PART NUMBER
Female Plug, 4 Pin, 20 Awg & 16 Awg, Shell 10	RT06102SNH



TECHNICAL DATA	
TEMPERATURE RANGE:	-40°C to + 105°C
PROTECTION:	IP67 in mated condition and in combination with sealed backshell
VOLTAGE RATING:	350V
HOUSING BODY:	Zinc Alloy, Nickel Plated
COUPLING NUT:	Aluminum, Nickel Plated
INSERT:	Glass-filled Thermoplastic UL94-V0
SEAL:	-
CURRENT:	2-16Awg at 13A and 2-20Awg at 5A
CONTACT SIZE:	20 Awg & 16 Awg
APPROVALS:	UL ECBT2