



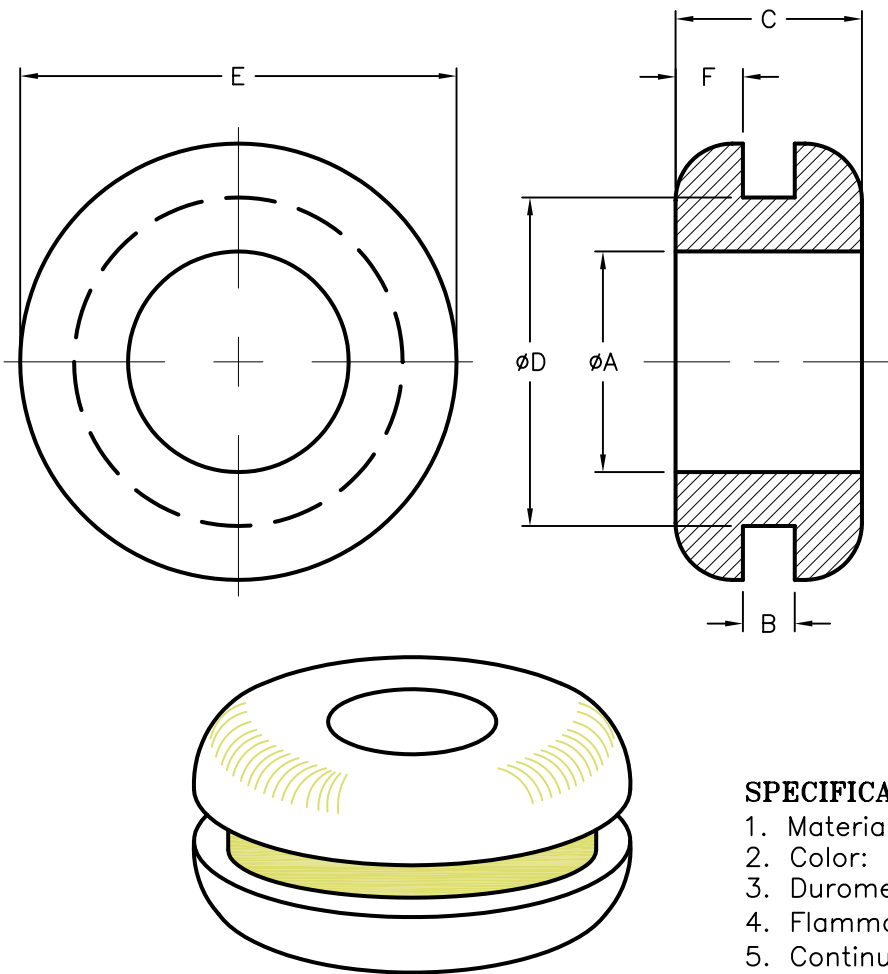
ALL RIGHTS RESERVED. NO PORTION OF THIS PUBLICATION, WHETHER IN WHOLE OR IN PART CAN BE REPRODUCED WITHOUT THE EXPRESS WRITTEN CONSENT OF SPC TECHNOLOGY.

SPC-F005.DWG

REVISIONS

DOC. NO. SPC-F005 * Effective: 7/8/02 * DCP No: 1398

DCP #	REV	DESCRIPTION	DRAWN	DATE	CHECKD	DATE	APPRVD	DATE
1770	E	Update Dimensions	HO	9/22/04	JC	9/22/04	JC	9/22/04
1899	F	Update To RoHS Compliant	EO	3/27/06	HO	3/27/06	HO	3/27/06



SPC Type No.	Dimensions					
	A	B	C	D	E	F
BG-901	0.125	0.062	0.188	0.250	0.344	0.0785
BG-2286	0.188	0.063	0.188	0.313	0.438	0.0625
BG-8051	0.188	0.063	0.250	0.313	0.500	0.0935
BG2902	0.250	0.062	0.250	0.375	0.500	0.094
BG-2903	0.250	0.125	0.250	0.375	0.500	0.0625
BG-921	0.281	0.156	0.344	0.375	0.625	0.094
BG505	0.312	0.062	0.281	0.438	0.625	0.1095
BG230	0.375	0.062	0.250	0.500	0.625	0.094
BG-1787	0.438	0.063	0.250	0.563	0.750	0.09375
BG230-060	0.500	0.063	0.281	0.625	0.812	0.1094
BG-915	0.563	0.063	0.313	0.750	1.000	0.125
BG-2285	0.625	0.0625	0.313	0.875	1.125	0.125
BG-1032	0.687	0.078	0.375	1.000	1.312	0.1485

SPECIFICATIONS:

1. Material: Styrene butadiene rubber (SBR)
2. Color: Black
3. Durometer Range: 60±5
4. Flammability: N/A
5. Continuous Use Temperature: -10 °F ~ 180 °F (-23.33 °C ~ 82.2 °C)

DISCLAIMER: ALL STATEMENTS AND TECHNICAL INFORMATION CONTAINED HEREIN ARE BASED UPON INFORMATION AND/OR TESTS WE BELIEVE TO BE ACCURATE AND RELIABLE. SINCE THE CONDITIONS OF USE ARE BEYOND OUR CONTROL, THE USER SHALL DETERMINE THE SUITABILITY OF THE PRODUCT FOR THE INTENDED USE AND ASSUME ALL RISK AND LIABILITY WHATSOEVER IN CONNECTION THEREWITH.

TOLERANCES:
Unless Otherwise Specified
.XXX ± 0.016

DRAWN BY:	DATE:
J.C.	9/13/91
CHECKED BY:	DATE:
APPROVED BY:	DATE:

DRAWING TITLE: Rubber Grommet			
SIZE A	DWG. NO. TA-360	ELECTRONIC FILE TA-360.DWG	REV F
SCALE: NTS	U.O.M.: INCHES	SHEET: 1 OF 1	