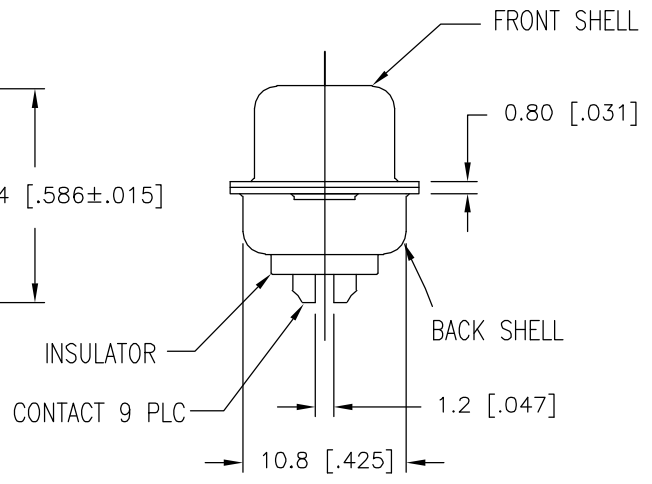
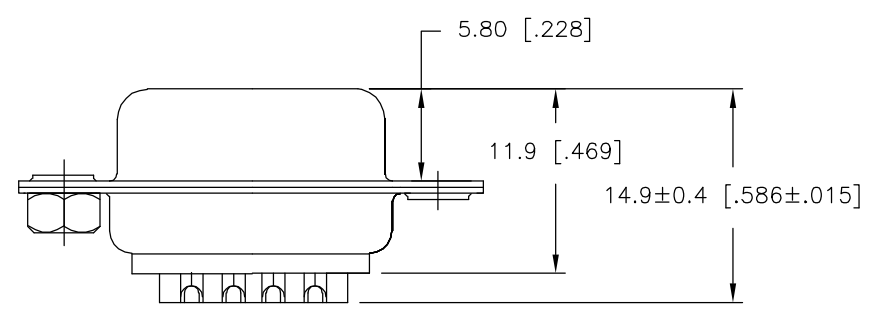
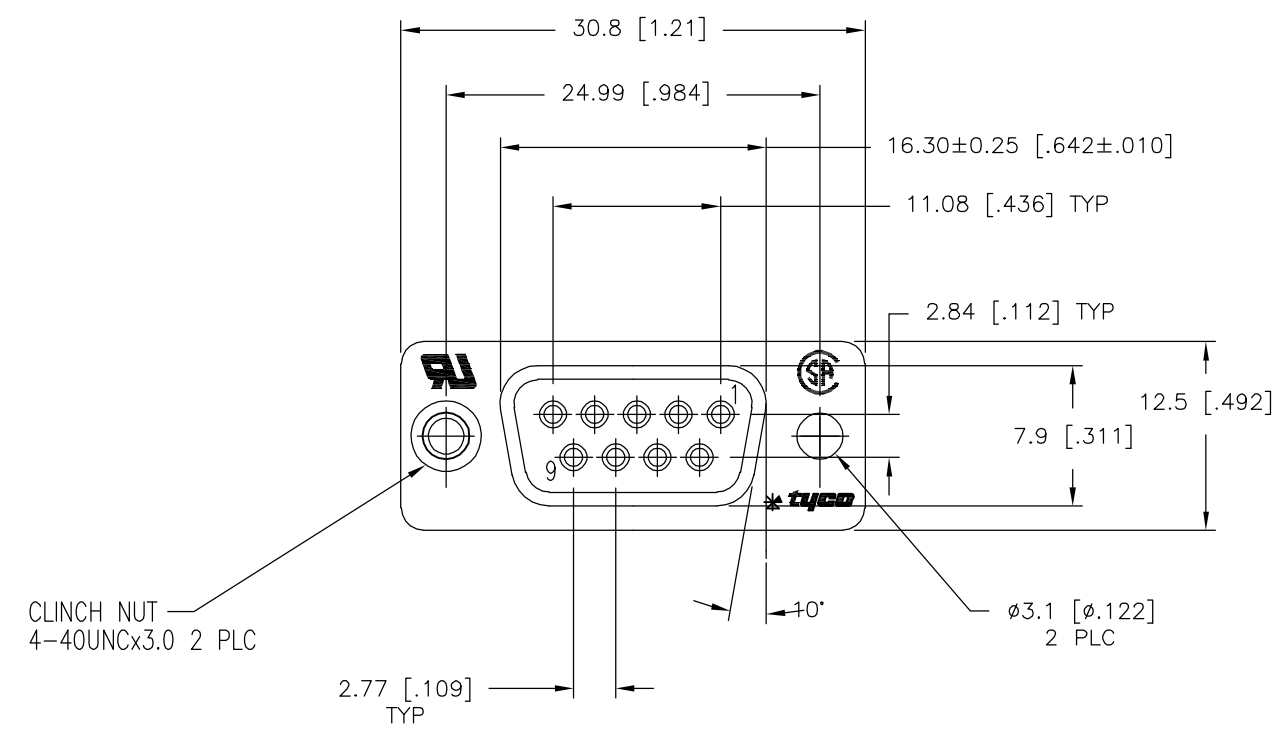


THIS DRAWING IS UNPUBLISHED. RELEASED FOR PUBLICATION
 © COPYRIGHT - BY TYCO ELECTRONICS CORPORATION. ALL RIGHTS RESERVED.

LOC	DIST	REVISIONS					
BD	00	P	LTR	DESCRIPTION	DATE	DWN	APVD
			T1	ECO-05-10192	06OCT05	MB	JO

- △1 MATERIAL:
 FRONT INSULATOR: PBT, 30 %GF, UL94V-0, BLACK COLOR
 BACK INSULATOR: PBT, 30 %GF, UL94V-0, BLACK COLOR
 CONTACT: BRASS
 FRONT SHELL: STEEL
 BACK SHELL: STEEL
 CLINCH NUTS: BRASS
- △2 FINISH:
 △2 CONTACT: GOLD PLATING 0.00002[.0000008] MIN ON CONTACT AREA 0.00229[.000090] MIN TIN-LEAD PLATING ALL OVER 0.00127[.000050] MIN NICKEL
 △3 CONTACT: GOLD PLATING 0.00076[.000030] MIN ON CONTACT AREA 0.00229[.000090] MIN TIN-LEAD PLATING ALL OVER 0.00127[.000050] MIN NICKEL
 △4 SHELL: TIN 0.0241[.000095] MIN FULL SHELL
 △5 SHELL: ZINC 0.00076[.000300] MIN FULL SHELL
 △6 CONTACT: GOLD PLATING 0.00002[.0000008] MIN ON CONTACT AREA 0.00229[.000090] MIN TIN-COPPER PLATING ALL OVER 0.00127[.000050] MIN NICKEL
 △7 CLINCH NUTS: NICKEL PLATING .00305-.00508[.000120-.000200]
8. SPECIFICATION
 ELECTRICAL CHARACTERISTICS: CURRENT RATING: 3 AMPERES
 DIELECTRIC WITHSTANDING VOLTAGE: AC 1000V r.m.s
 INSULATION RESISTANCE: 5000 MEGOHMS MINIMUM AT DC 500V
 CONTACT RESISTANCE: 10 MILLIOHMS MAXIMUM.
9. RECEPTACLE ASSEMBLY MATES WITH ANY 9 POSITION PLUG IN AMPLIMITE SERIES
10. SOLDER CUP WILL ACCOMODATE 20 AWG MAX WIRE
- △11 ROHS 2002/95/EC/COMPLIANT
- △12 CONTACT: GOLD PLATING 0.00076[.000030] MIN ON CONTACT AREA 0.00229[.000090] MIN TIN-COPPER ALL OVER 0.00127[.000050] MIN NICKEL PLATING



SUPERSEDED TO 5-747905-2

△11	STANDARD	YES	△6	△4	5-747905-7
△11	STANDARD	NO	△12	△4	5-747905-5
△11	STANDARD	NO	△6	△4	5-747905-2
△11	STANDARD	NO	△6	△4	747905-8
	STANDARD	YES	△6	△4	747905-7
	STANDARD	NO	△6	△4	747905-5
	STANDARD	NO	△6	△4	747905-4
	STANDARD	NO	△6	△4	747905-2
	PACKAGING TYPE	CLINCH NUTS	CONTACTS	SHELLS	PART NO

THIS DRAWING IS A CONTROLLED DOCUMENT.		DWN	M.BINNER	03MAR03	Tyco Electronics Corporation Harrisburg, PA 17105-3608
DIMENSIONS: mm		CHK	R.BENDORF	05MAR03	
TOLERANCES UNLESS OTHERWISE SPECIFIED:		APVD	R.BENDORF	05MAR03	
0 PLC ± - 1 PLC ± 0.25 2 PLC ± 0.13 3 PLC ± 0.05 4 PLC ± - ANGLES ± -		PRODUCT SPEC		NAME	
MATERIAL		FINISH		APPLICATION SPEC	
△1		SEE TABLE		RECEPTACLE ASSEMBLY, SOLDER CUP, SIZE 1, 9 POSITION, AMPLMITE	
		WEIGHT	-		RESTRICTED TO
		CUSTOMER DRAWING		SIZE	A3
				CAGE CODE	00779
				DRAWING NO	C-747905
				SCALE	1:1
				SHEET	1 OF 1
				REV	T1