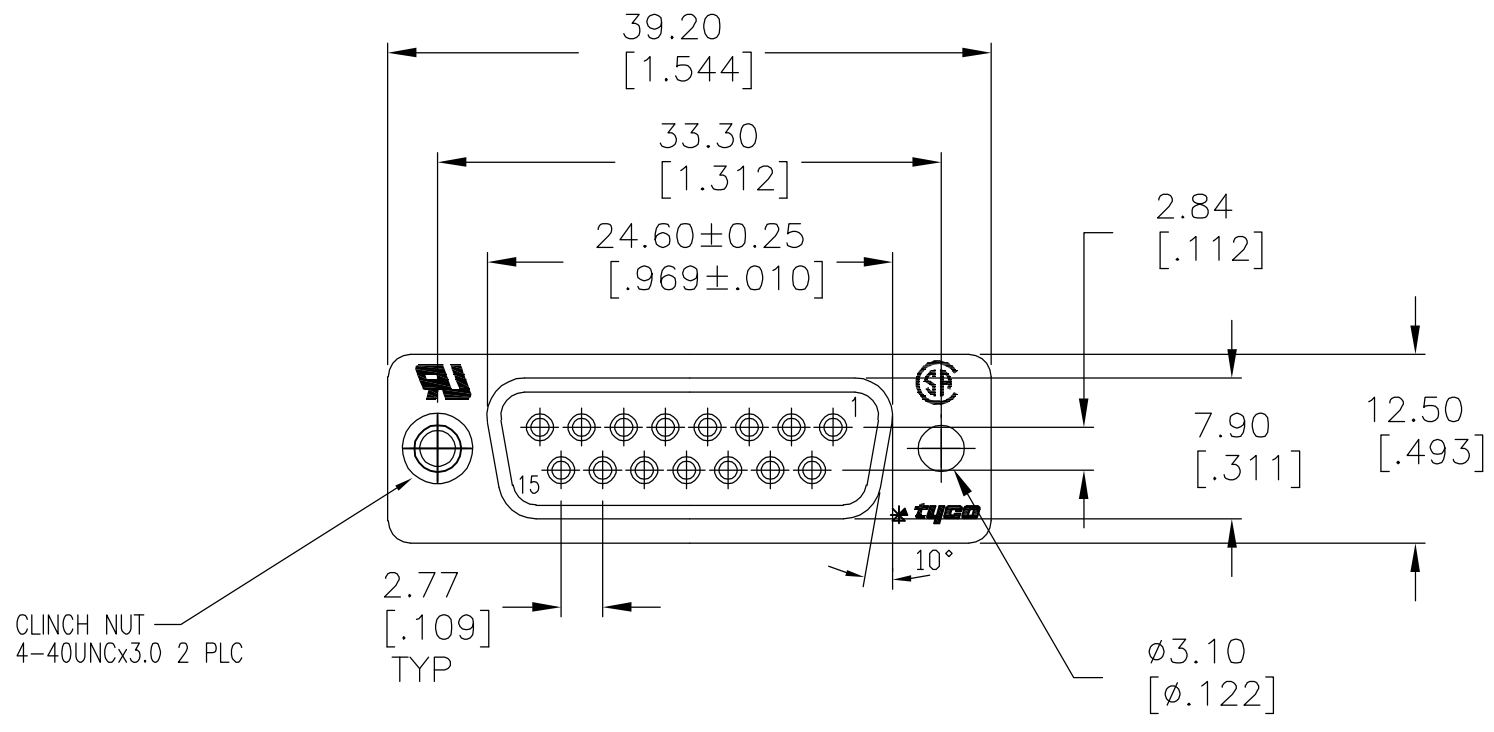


THIS DRAWING IS UNPUBLISHED. RELEASED FOR PUBLICATION
 © COPYRIGHT BY TYCO ELECTRONICS CORPORATION. ALL RIGHTS RESERVED.

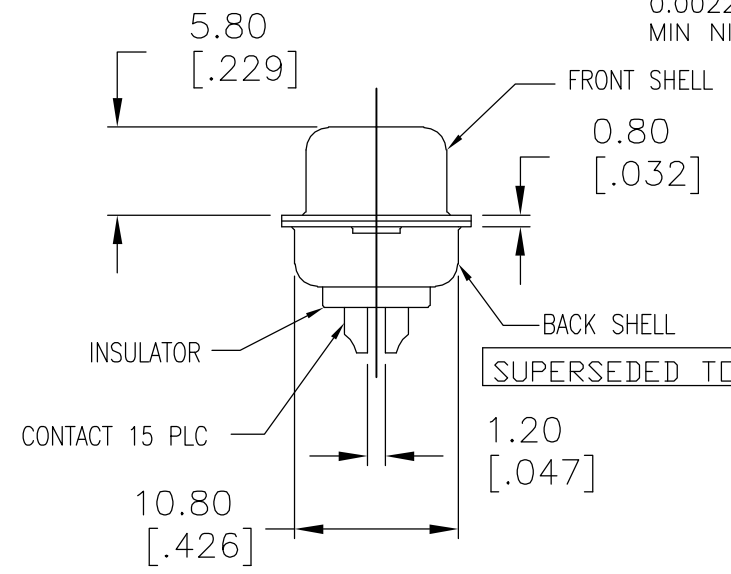
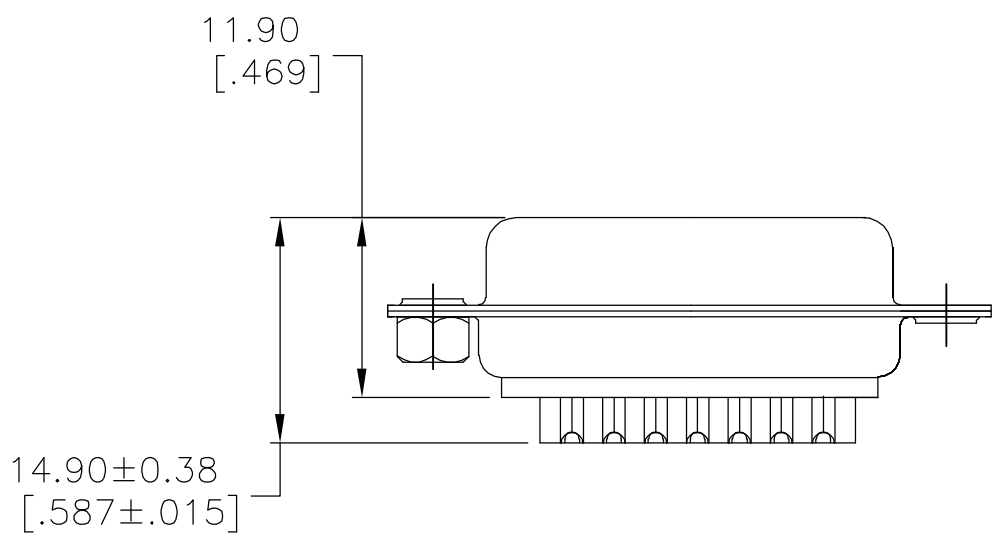
LOC	DIST	REVISIONS					
BD	00	P	LTR	DESCRIPTION	DATE	DWN	APVD
			P1	ECO-05-10192	06OCT05	MB	JO



△ MATERIAL:
 FRONT INSULATOR: PBT, 30 %GF, UL94V-0, BLACK COLOR
 BACK INSULATOR: PBT, 30 %GF, UL94V-0, BLACK COLOR
 CONTACT: BRASS
 FRONT SHELL: STEEL
 BACK SHELL: STEEL
 CLINCH NUTS: BRASS

△ FINISH:
 2 CONTACT: GOLD PLATING 0.00002[.0000008] MIN ON CONTACT AREA 0.00229 [.000090] MIN TIN-LEAD PLATING ALL OVER 0.00127[.000050] MIN NICKEL
 3 CONTACT: GOLD PLATING 0.00076[.000030] MIN ON CONTACT AREA 0.00229 [.000090] MIN TIN-LEAD PLATING ALL OVER 0.00127[.000050] MIN NICKEL
 4 SHELL: TIN 0.0241[.000095] MIN FULL SHELL
 5 SHELL: ZINC 0.00076[.000300] MIN FULL SHELL
 6 CONTACT: GOLD PLATING 0.00002[.0000008] MIN ON CONTACT AREA 0.00229 [.000090] MIN TIN-COPPER PLATING ALL OVER 0.00127[.000050] MIN NICKEL
 7 CLINCH NUTS: NICKEL PLATING .00305-.00508[.000120-.000200]

8. SPECIFICATION
 ELECTRICAL CHARACTERISTICS: CURRENT RATING: 3 AMPERES
 DIELECTRIC WITHSTANDING VOLTAGE: AC 1000V r.m.s
 INSULATION RESISTANCE: 5000 MEGOHMS MINIMUM AT DC 500V
 CONTACT RESISTANCE: 10 MILLIOHMS MAXIMUM.
 9 ROHS 2002/95/EC COMPLIANT
 10. RECEPTACLE ASSEMBLY MATES WITH ANY 15 POSITION PLUG IN AMPLIMITE SERIES
 11. SOLDER CUP WILL ACCOMMODATE 20 MAX AWG WIRE.



9	STANDARD	YES	△	△	5-747909-7
9	STANDARD	NO	△	△	5-747909-5
9	STANDARD	NO	△	△	5-747909-2
9	STANDARD	NO	△	△	747909-8
	STANDARD	YES	△	△	747909-7
	STANDARD	NO	△	△	747909-5
	STANDARD	NO	△	△	747909-4
	STANDARD	NO	△	△	747909-2
	PACKAGING TYPE	CLINCH NUTS	CONTACTS	SHELLS	PARTNO

SUPERSEDED TO 5-747909-2

THIS DRAWING IS A CONTROLLED DOCUMENT.		DWN	M.BINNER	03MAR03	Tyco Electronics Corporation Harrisburg, PA 17105-3608		
DIMENSIONS: mm [INCHES]		CHK	R.BENDORF	05MAR03			
TOLERANCES UNLESS OTHERWISE SPECIFIED:		APVD	R.BENDORF	05MAR03	NAME		
0 PLC ± - 1 PLC ± 0.25 2 PLC ± 0.13 3 PLC ± 0.05 4 PLC ± - ANGLES ± 4°		PRODUCT SPEC		RECEPTACLE ASSEMBLY, SOLDER CUP, SIZE 2, 15 POSN, HD-20, AMPLIMITE			
MATERIAL		APPLICATION SPEC		SIZE			RESTRICTED TO
△		FINISH		CAGE CODE			
SEE TABLE		WEIGHT		DRAWING NO			
		-		A3 00779			
		CUSTOMER DRAWING		G-747909			
		SCALE		SHEET			REV
		2:1		1 OF 1			P1