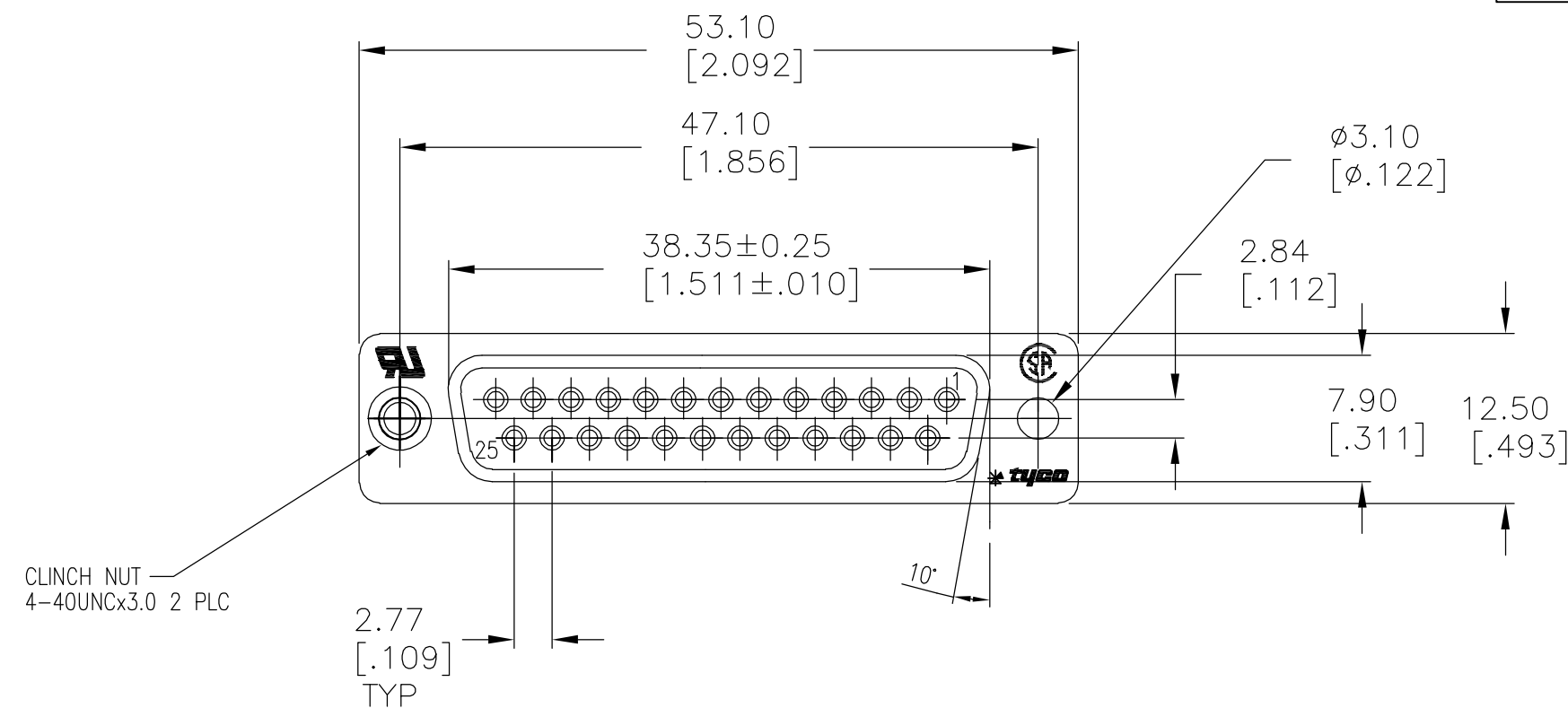
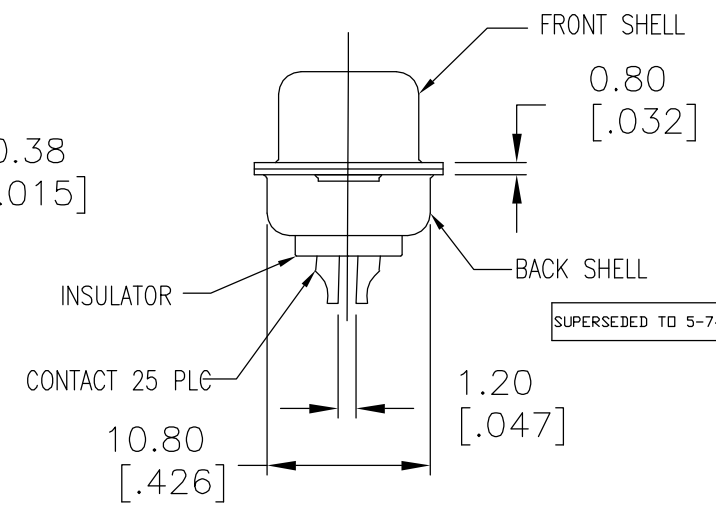
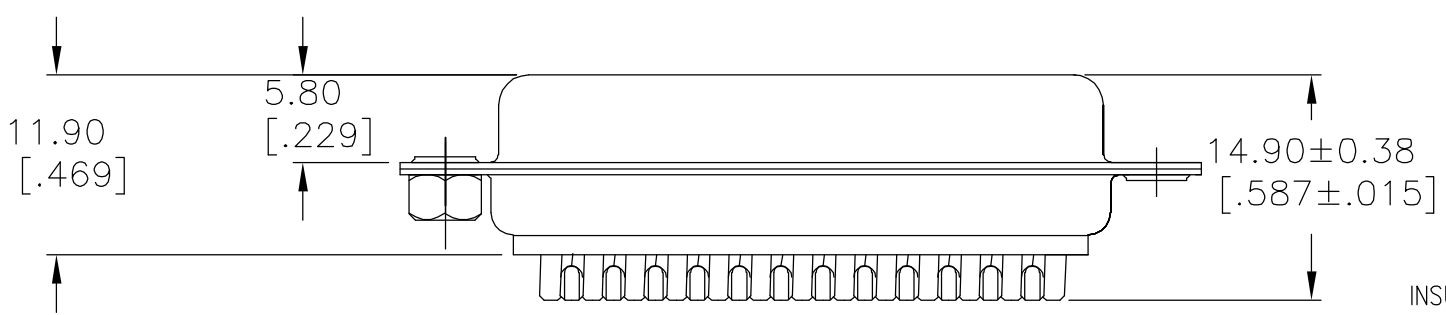


THIS DRAWING IS UNPUBLISHED. RELEASED FOR PUBLICATION
 © COPYRIGHT BY TYCO ELECTRONICS CORPORATION. ALL RIGHTS RESERVED.

LOC	DIST	REVISIONS					
AD	00	P	LTR	DESCRIPTION	DATE	DWN	APVD
			S1	ECO-05-10192	06OCT05	MB	JO



- △1 MATERIAL:
 FRONT INSULATOR: PBT, 30 %GF, UL94V-0, BLACK COLOR
 BACK INSULATOR: PBT, 30 %GF, UL94V-0, BLACK COLOR
 CONTACT: BRASS
 FRONT SHELL: STEEL
 BACK SHELL: STEEL
 CLINCH NUTS: BRASS
- △2 FINISH:
 CONTACT: GOLD PLATING 0.00002[.0000008] MIN ON CONTACT AREA 0.00229 [.000090] MIN TIN-LEAD PLATING ALL OVER 0.00127[.000050] MIN NICKEL
 CONTACT: GOLD PLATING 0.00076[.000030] MIN ON CONTACT AREA 0.00229 [.000090] MIN TIN-LEAD PLATING ALL OVER 0.00127[.000050] MIN NICKEL
 SHELL: TIN 0.0241[.000095] MIN FULL SHELL
 SHELL: ZINC 0.00076[.000300] MIN FULL SHELL
 CONTACT: GOLD PLATING 0.00002[.0000008] MIN ON CONTACT AREA 0.00229 [.000090] MIN TIN-COPPER PLATING ALL OVER 0.00127[.000050] MIN NICKEL
 CLINCH NUTS: NICKEL PLATING .00305-.00508[.000120-.000200]
8. SPECIFICATION
 ELECTRICAL CHARACTERISTICS: CURRENT RATING: 3 AMPERES
 DIELECTRIC WITHSTANDING VOLTAGE: AC 1000V r.m.s
 INSULATION RESISTANCE: 5000 MEGOHMS MINIMUM AT DC 500V
 CONTACT RESISTANCE: 10 MILLIOHMS MAXIMUM.
- △9 ROHS 2002/95/EC COMPLIANT
10. RECEPTACLE ASSEMBLY MATES WITH ANY 25 POSITION PLUG IN AMPLIMITE SERIES
 11. SOLDER CUP WILL ACCOMMODATE 20 MAX AWG WIRE.
- △12 CONTACT: GOLD PLATING 0.00076[.000030] MIN ON CONTACT AREA 0.00229[.000090] MIN TIN-COPPER ALL OVER 0.00127[.000050] MIN NICKEL PLATING



△9	STANDARD	YES	△6	△4	5-747913-9
△9	STANDARD	NO	△12	△4	5-747913-5
△9	STANDARD	NO	△6	△4	5-747913-2
	STANDARD	YES	△2	△4	747913-9
	STANDARD	NO	△6	△4	747913-8
	STANDARD	NO	△2	△5	747913-6
	STANDARD	NO	△3	△4	747913-5
	STANDARD	NO	△1	△5	747913-4
	STANDARD	NO	△1	△4	747913-2
	PACKAGING TYPE	CLINCH NUTS	CONTACTS	SHELLS	PART NO

THIS DRAWING IS A CONTROLLED DOCUMENT.

DWN	M.BINNER	04MAR03		Tyco Electronics Corporation	
CHK	R.BENDORF	05MAR03		Harrisburg, PA 17105-3608	
APVD	R.BENDORF	05MAR03		NAME	
DIMENSIONS: mm [INCHES]			PRODUCT SPEC		
TOLERANCES UNLESS OTHERWISE SPECIFIED:			APPLICATION SPEC		
0 PLC ± - 1 PLC ± 0.25 2 PLC ± 0.13 3 PLC ± 0.05 4 PLC ± - ANGLES ± 4°			SIZE CAGE CODE DRAWING NO RESTRICTED TO A3 00779 C-747913 -		
MATERIAL △1			WEIGHT -		
FINISH SEE TABLE			CUSTOMER DRAWING		
			SCALE 1:1		SHEET 1 OF 1
					REV S1