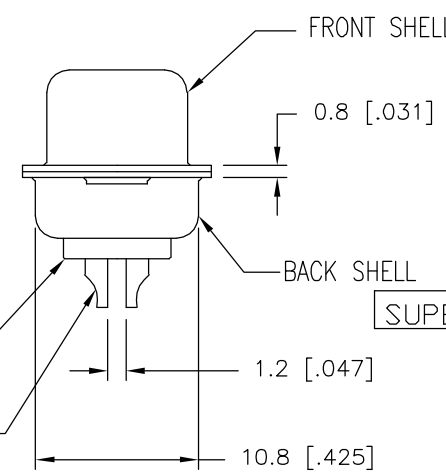
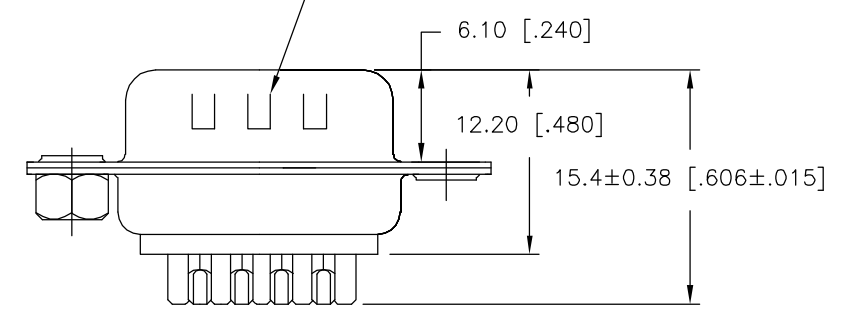
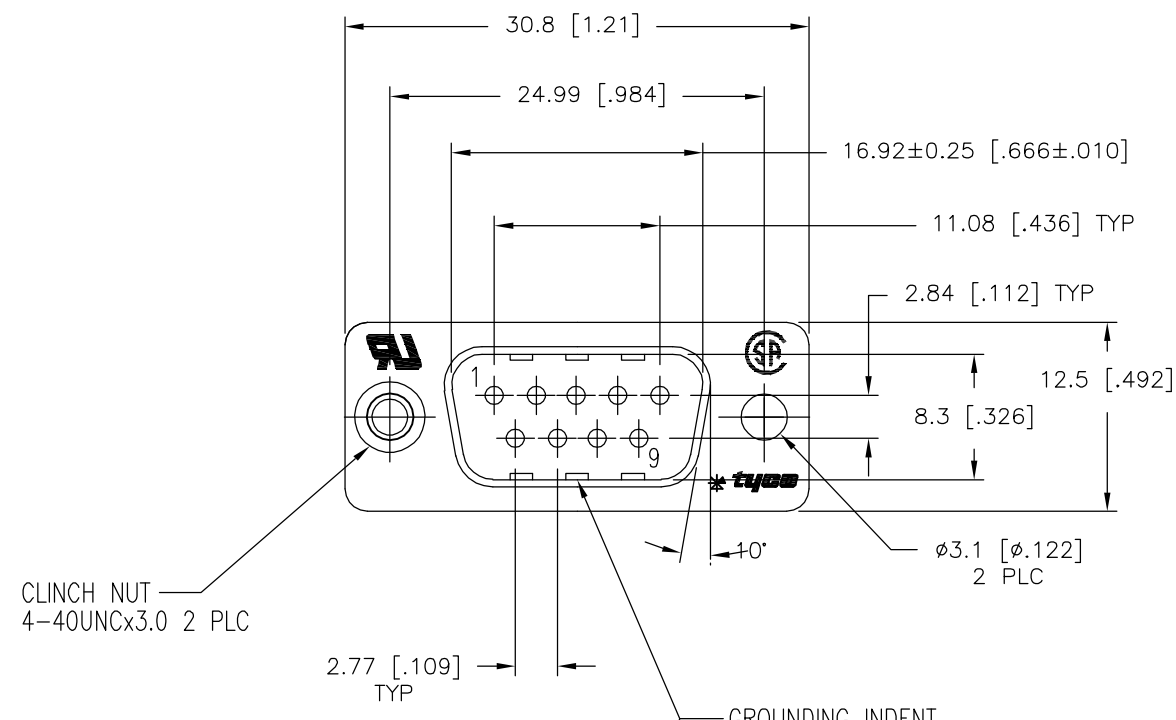


THIS DRAWING IS UNPUBLISHED. RELEASED FOR PUBLICATION
 © COPYRIGHT - BY TYCO ELECTRONICS CORPORATION. ALL RIGHTS RESERVED.

| | | | | | | | |
|-----|------|-----------|-----|--------------|---------|-----|------|
| LOC | DIST | REVISIONS | | | | | |
| BD | 00 | P | LTR | DESCRIPTION | DATE | DWN | APVD |
| | | | R1 | ECO-05-10192 | 06OCT05 | MB | JO |

- MATERIAL:**
- 1 FRONT INSULATOR: PBT, 30 %GF, UL94V-0, BLACK COLOR
 - 2 BACK INSULATOR: PBT, 30 %GF, UL94V-0, BLACK COLOR
 - 3 CONTACT: BRASS
 - 4 FRONT SHELL: STEEL
 - 5 BACK SHELL: STEEL
 - 6 CLINCH NUTS: BRASS
- FINISH:**
- 2 CONTACT: GOLD PLATING 0.00002[.0000008] MIN ON CONTACT AREA 0.00229 [0.00090] MIN TIN-LEAD PLATING ALL OVER 0.00127[.000050] MIN NICKEL
 - 3 CONTACT: GOLD PLATING 0.00076[.000030] MIN ON CONTACT AREA 0.00229 [0.00090] MIN TIN-LEAD PLATING ALL OVER 0.00127[.000050] MIN NICKEL
 - 4 SHELL: TIN 0.0241[.000095] MIN FULL SHELL
 - 5 SHELL: ZINC 0.00076[.000300] MIN FULL SHELL
 - 6 CONTACT: GOLD PLATING 0.00002[.0000008] MIN ON CONTACT AREA 0.00229 [0.00090] MIN TIN-COPPER PLATING ALL OVER 0.00127[.000050] MIN NICKEL
 - 7 CLINCH NUTS: NICKEL PLATING .00305-.00508[.000120-.000200]
- 8. SPECIFICATION**
- ELECTRICAL CHARACTERISTICS: CURRENT RATING: 3 AMPERES
 DIELECTRIC WITHSTANDING VOLTAGE: AC 1000V r.m.s
 INSULATION RESISTANCE: 5000 MEGOHMS MINIMUM AT DC 500V
 CONTACT RESISTANCE: 10 MILLIOHMS MAXIMUM.

- 9 ROHS 2002/95/EC/COMPLIANT
- 10. PLUG ASSEMBLY MATES WITH ANY 9 POSITION RECEPTACLE IN AMPLIMITE SERIES
- 11. SOLDER CUP WILL ACCOMODATE 20 AWG MAX WIRE
- 12 CONTACT: GOLD PLATING 0.00076[.000030] MIN ON CONTACT AREA 0.00229[.000090] MIN TIN-COPPER ALL OVER 0.00127[.000050] MIN NICKEL PLATING



| | | | | | | |
|---|----------------|-------------|-------------------|----------|--------|------------|
| 9 | STANDARD | YES | YES | 6 | 4 | 5-747904-8 |
| 9 | STANDARD | NO | YES | 12 | 4 | 5-747904-5 |
| 9 | STANDARD | NO | YES | 6 | 4 | 5-747904-2 |
| 9 | STANDARD | NO | YES | 6 | 4 | 747904-9 |
| | STANDARD | YES | YES | 4 | 4 | 747904-8 |
| | STANDARD | NO | YES | 3 | 4 | 747904-5 |
| | STANDARD | NO | NO | 4 | 5 | 747904-4 |
| | STANDARD | NO | YES | 4 | 4 | 747904-2 |
| | PACKAGING TYPE | CLINCH NUTS | GROUNDING INDENTS | CONTACTS | SHELLS | PART NO |

SUPERSEDED TO 5-747904-2

| | | | | | | | | |
|--|---|------------------|-----------|-----------|---|------------|----------|------|
| THIS DRAWING IS A CONTROLLED DOCUMENT. | | DWN | M.BINNER | 03MAR03 | Tyco Electronics Corporation Harrisburg, PA 17105-3608 | | | |
| DIMENSIONS: mm | | CHK | R.BENDORF | 05MAR03 | | | | NAME |
| TOLERANCES UNLESS OTHERWISE SPECIFIED: | | APVD | R.BENDORF | 05MAR03 | PLUG ASSY, SOLDER CUP, SIZE 1, 9 POSN, HD-20, AMPLIMITE | | | |
| 0 PLC ± - | | PRODUCT SPEC | - | | | | | |
| 1 PLC ± 0.25 | | APPLICATION SPEC | - | | | | | |
| 2 PLC ± 0.13 | | WEIGHT | - | | | | | |
| 3 PLC ± 0.05 | | SIZE | A3 | CAGE CODE | 00779 | DRAWING NO | C-747904 | |
| 4 PLC ± - | | RESTRICTED TO | - | | | | | |
| ANGLES ± 4° | | SCALE | 1:1 | | SHEET | 1 OF 1 | | |
| MATERIAL | 1 | FINISH | SEE TABLE | | | | REV | R1 |
| CUSTOMER DRAWING | | | | | | | | |