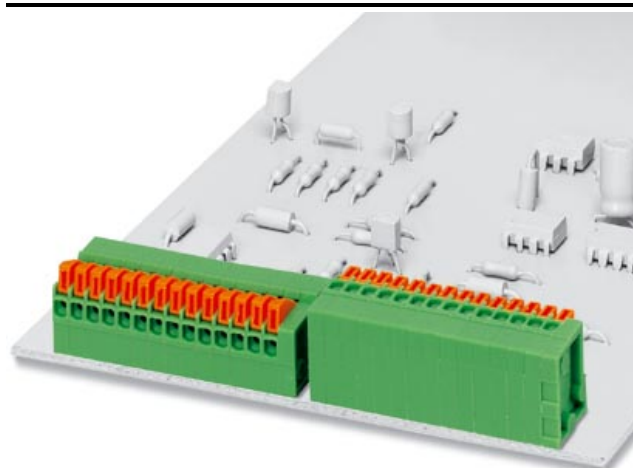


Please note that the data given here has been taken from the online catalog. For comprehensive information and data, please refer to the user documentation at <http://www.download.phoenixcontact.com>. The General Terms and Conditions of Use apply to Internet downloads.

► Extract from the online catalog



Printed circuit terminal block, nominal current: 6 A, rated voltage: 63 V, pitch: 2.54 mm, no. of positions: 1, mounting: Soldering, type of connection: Spring-cage connection, connection direction from the conductor to the PCB: 90°

The illustration shows a combination of versions FFKDS/H-2,54 and FFKDS/V-2,54

| | |
|--------------------------|-------------------|
| Order No. | 1791813 |
| Ord designation | FFKDS/V-2,54 |
| EAN | 4017918044442 |
| Pack | 100 Pcs. |
| Customs tariff | 85369010 |
| Catalog page information | Page 48 (CC-2005) |

► Product notes

WEEE/RoHS-compliant since: 01/01/2003



► Technical data

Dimensions / positions

| | |
|---------------------|--------------|
| Pitch | 2.54 mm |
| Number of positions | 1 |
| Pin dimensions | 0,5 x 0,8 mm |
| Hole diameter | 1.1 mm |

Technical data

| | |
|------------------------------------|--|
| Insulating material group | I |
| Rated surge voltage (III/3) | 2.5 kV |
| Rated surge voltage (III/2) | 2.5 kV |
| Rated surge voltage (II/2) | 2.5 kV |
| Rated voltage (III/2) | 160 V |
| Rated voltage (II/2) | 320 V |
| Connection in acc. with standard | EN-VDE |
| Nominal current I_N | 6 A |
| Nominal voltage U_N | 63 V |
| Nominal cross section | 0.5 mm ² |
| Maximum load current | 6 A (with 0.5 mm ² conductor cross section) |
| Insulating material | PA |
| Inflammability class acc. to UL 94 | V0 |
| Stripping length | 11 mm |

Connection data

| | |
|--|----------------------|
| Conductor cross section, rigid min. | 0.14 mm ² |
| Conductor cross section, rigid max. | 0.5 mm ² |
| Conductor cross section flexible min. | 0.14 mm ² |
| Conductor cross section, flexible max. | 0.5 mm ² |
| Conductor cross section AWG/kcmil min. | 26 |
| Conductor cross section AWG/kcmil max | 20 |

► Certificates

CSA

| | |
|-----------------------|-------|
| Nominal voltage U_N | 150 V |
| Nominal current I_N | 6 A |
| AWG/kcmil | 20 |

CUL

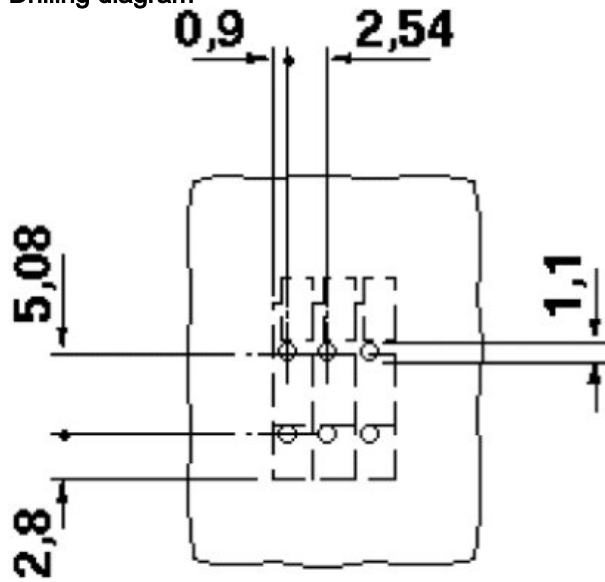
| | |
|-----------------------|-------|
| Nominal voltage U_N | 150 V |
| Nominal current I_N | 6 A |
| AWG/kcmil | 26-20 |

UL

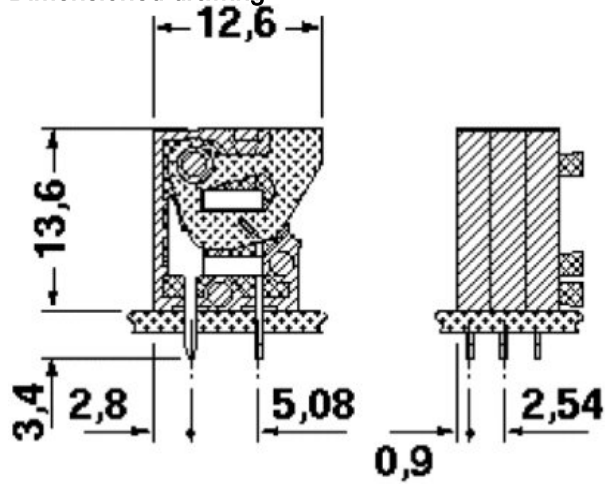
| | |
|-----------------------|-------|
| Nominal voltage U_N | 150 V |
| Nominal current I_N | 6 A |
| AWG/kcmil | 26-20 |

► Drawings

Drilling diagram



Dimensioned drawing



► Accessories

| Item | Designation | Description |
|----------------|--------------------------|--|
| Marking | | |
| 1051993 | B-STIFT | Marker pen, for manual labeling of unprinted Zack strips, smear-proof and waterproof, line thickness 0.5 mm |
| 0804853 | SK 2,54/2,8:FORTL.ZAHLEN | |
| 0804879 | SK 2,54/2,8:SO | |
| 0805205 | SK 2,8 WH:REEL | Self-adhesive Marker strips, unprinted, material off the roll, for individual labeling with thermal transfer printer CMS-THERMO X1, can be separated using optional cutter CMS-CUTTER X1, free choice of pitch, 1 roll= 90 m |
| 0803883 | SK U/2,8 WH:UNBEDRUCKT | Unprinted marker cards, DIN A4 format, pitch as desired, self-adhesive, with 50 stamped marker strips, 185 mm strip length, can be labeled with the CMS system or manually with the M-PEN |



► Address

PHOENIX CONTACT Inc., USA
586 Fulling Mill Road
Middletown, PA 17057
USA
Phone (800) 888-7388
Fax (717) 944-1625
<http://www.phoenixcon.com>
Phoenix Contact
Technical modifications reserved;