

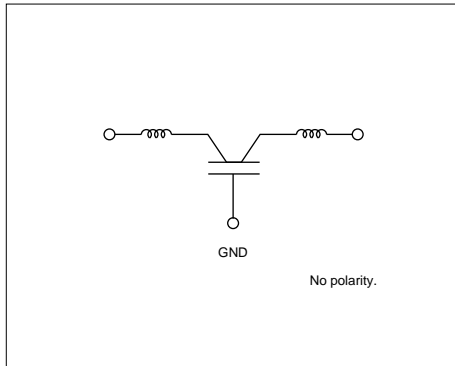
Built-in Ferrite Beads DSS6 Series Incrimp Type

| Part Number | Capacitance (pF) | Rated Voltage (Vdc) | Rated Current (A) | Operating Temperature Range (°C) |
|--------------|------------------|---------------------|-------------------|----------------------------------|
| DSS6NC52A220 | 22 +20%,-20% | 100 | 6 | -25 to +85 |
| DSS6NC52A330 | 33 +20%,-20% | 100 | 6 | -25 to +85 |
| DSS6NC52A470 | 47 +20%,-20% | 100 | 6 | -25 to +85 |
| DSS6NC52A101 | 100 +20%,-20% | 100 | 6 | -25 to +85 |
| DSS6NC52A151 | 150 +20%,-20% | 100 | 6 | -25 to +85 |
| DSS6NC52A221 | 220 +20%,-20% | 100 | 6 | -25 to +85 |
| DSS6NC52A271 | 270 +20%,-20% | 100 | 6 | -25 to +85 |
| DSS6NC52A471 | 470 +20%,-20% | 100 | 6 | -25 to +85 |
| DSS6NC52A102 | 1000 +20%,-20% | 100 | 6 | -25 to +85 |
| DSS6NE52A222 | 2200 +80%,-20% | 100 | 6 | -25 to +85 |
| DSS6NZ82A103 | 10000 +30%,-30% | 100 | 6 | -25 to +85 |
| DSS6NF31C223 | 22000 +80%,-20% | 16 | 6 | -25 to +85 |

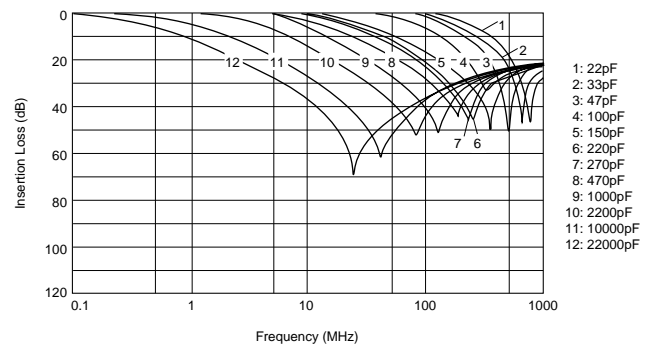
Please refer to Part Numbering for Type and Length of Lead.

2

■ Equivalent Circuit



■ Insertion Loss Characteristics



EMI Suppression Filters (Lead Type EMIFIL®)

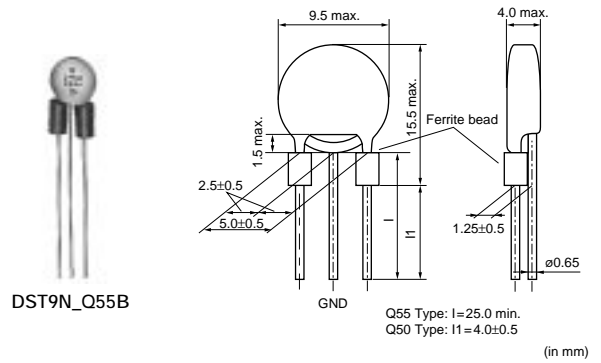
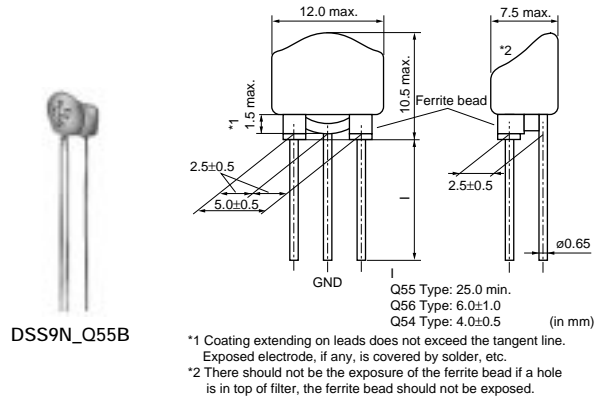
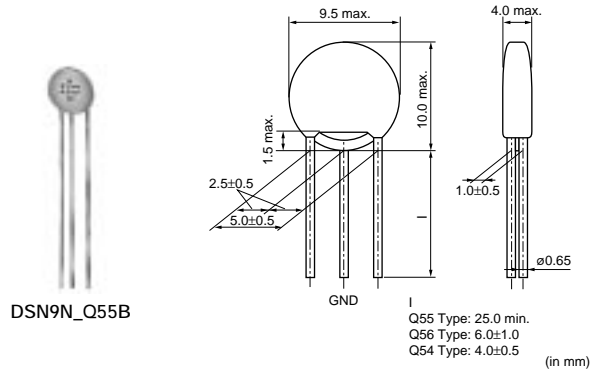
Disc Type EMIFIL® Broad Band Type DSN9/DSS9/DST9 Series

■ Features

DS_9 is a basic type EMI suppression filter which can obtain high insertion loss in a wide frequency range. Its three terminal structure enables precise high frequency performance. DSS9NP32A222/DSS9NT31H223 are low distortion types for audio circuits.

■ Supplement

Diameter of lead is 0.6mm for taping type.
Taping type is three terminal in-line arrangement.



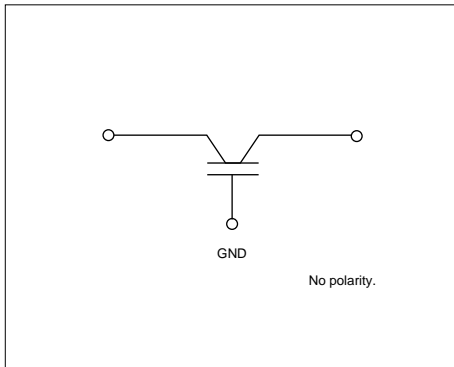
2

DSN9 Series

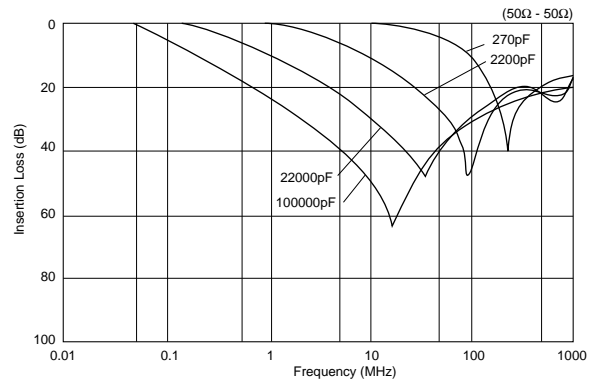
| Part Number | Capacitance (pF) | Rated Voltage (Vdc) | Rated Current (A) | Operating Temperature Range (°C) |
|--------------|------------------|---------------------|-------------------|----------------------------------|
| DSN9NC52A271 | 270 +20%,-20% | 100 | 7 | -25 to +85 |
| DSN9NC52A222 | 2200 +20%,-20% | 100 | 7 | -25 to +85 |
| DSN9NC51H223 | 22000 +50%,-20% | 50 | 7 | -25 to +85 |
| DSN9NC51C104 | 100000 +20%,-20% | 16 | 7 | -25 to +85 |

Rated current is 6A for taping type and its lead diameter is phi 0.6mm.
Please refer to Part Numbering for Type and Length of Lead.

Equivalent Circuit



Insertion Loss Characteristics

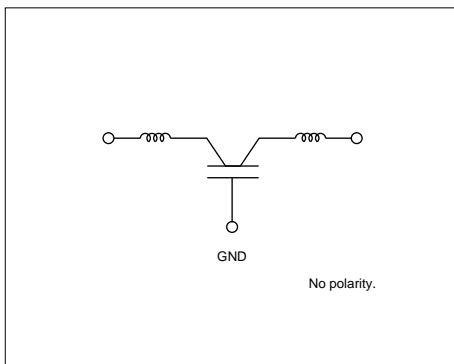


Built-in Ferrite Beads DSS9 Series

| Part Number | Capacitance (pF) | Rated Voltage (Vdc) | Rated Current (A) | Operating Temperature Range (°C) |
|--------------|------------------|---------------------|-------------------|----------------------------------|
| DSS9NC52A220 | 22 +20%,-20% | 100 | 7 | -25 to +85 |
| DSS9NC52A470 | 47 +20%,-20% | 100 | 7 | -25 to +85 |
| DSS9NC52A101 | 100 +20%,-20% | 100 | 7 | -25 to +85 |
| DSS9NC52A271 | 270 +20%,-20% | 100 | 7 | -25 to +85 |
| DSS9NC52A222 | 2200 +20%,-20% | 100 | 7 | -25 to +85 |
| DSS9NP32A222 | 2200 +20%,-20% | 100 | 7 | -25 to +85 |
| DSS9NC51H223 | 22000 +50%,-20% | 50 | 7 | -25 to +85 |
| DSS9NT31H223 | 22000 +50%,-20% | 50 | 7 | -25 to +85 |

Rated current is 6A for taping type and its lead diameter is phi 0.6mm.
DSS9NP32A222/DSS9NT31H223 are low distortion types for audio IF circuits.
Please refer to Part Numbering for Type and Length of Lead.

Equivalent Circuit



Insertion Loss Characteristics

