

97 mm

## San Ace B97

33mm thick



### General Specifications

With a pulse sensor

With PWM speed control function

- Material ..... Frame: Plastics (Flammability: UL94V-0),  
Impeller: Plastics (Flammability: UL94V-1)
- Expected Life ..... Varies for each model (L10: Survival rate: 90% at 60°C ,  
rated voltage, and continuously run in a free air state)
- Lead Wire ..... ⊕red ⊖black (Sensor) yellow (Control) brown
- Storage Temperature ..... -30°C to +70°C (Non-condensing)

97 mm × 33 mm (Mass : 190g)



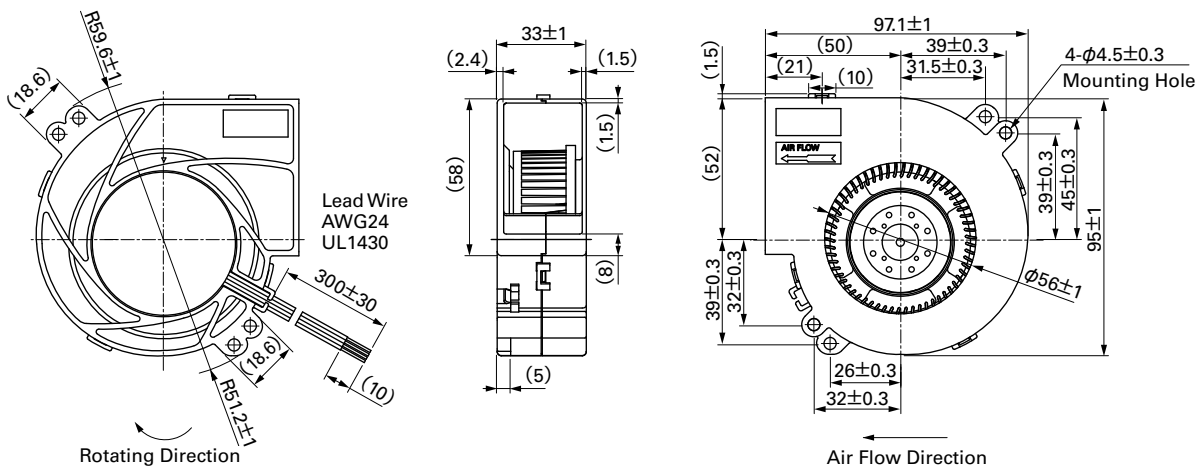
### Specifications

Model No.	Rated Voltage [V]	Operating Voltage Range [V]	PWM duty cycle <sup>Note1)</sup> [%]	Rated Current [A]	Rated Input [W]	Rated Speed [min <sup>-1</sup> ]	Max. Air Flow [m <sup>3</sup> /min] [CFM]	Max. Static Pressure [Pa] [inchH <sub>2</sub> O]	SPL [dB(A)]	Operating Temperature [°C]	Expected Life [h]
9BMB24P2G01	24	21.6 to 26.4	100	0.83	19.92	5,750	1.34 47.32	760 3.052	61	-10 to +70	40,000

Note 1 : Fan does not rotate when PWM duty cycle is 0% .

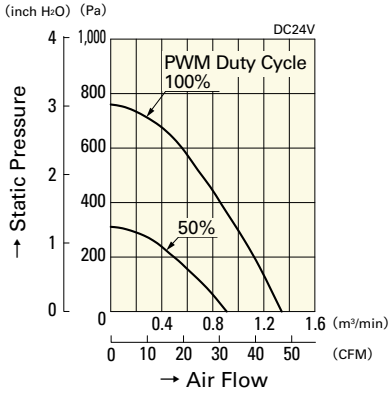
※PWM Frequency : 25kHz

### Dimensions (Unit : mm)



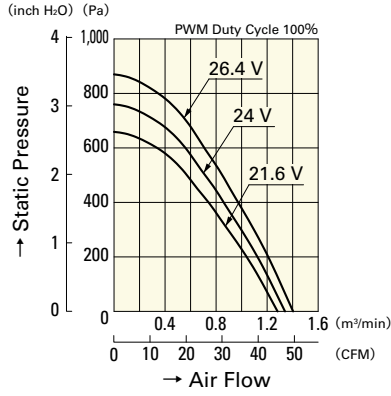
**Air Flow - Static Pressure Characteristics**

**PWM Duty Cycle**



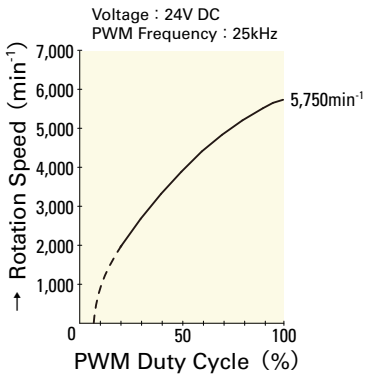
**9BMB24P2G01**

**Operating Voltage Range**



**9BMB24P2G01**

**PWM Duty - Speed Characteristics Example**



**9BMB24P2G01**