

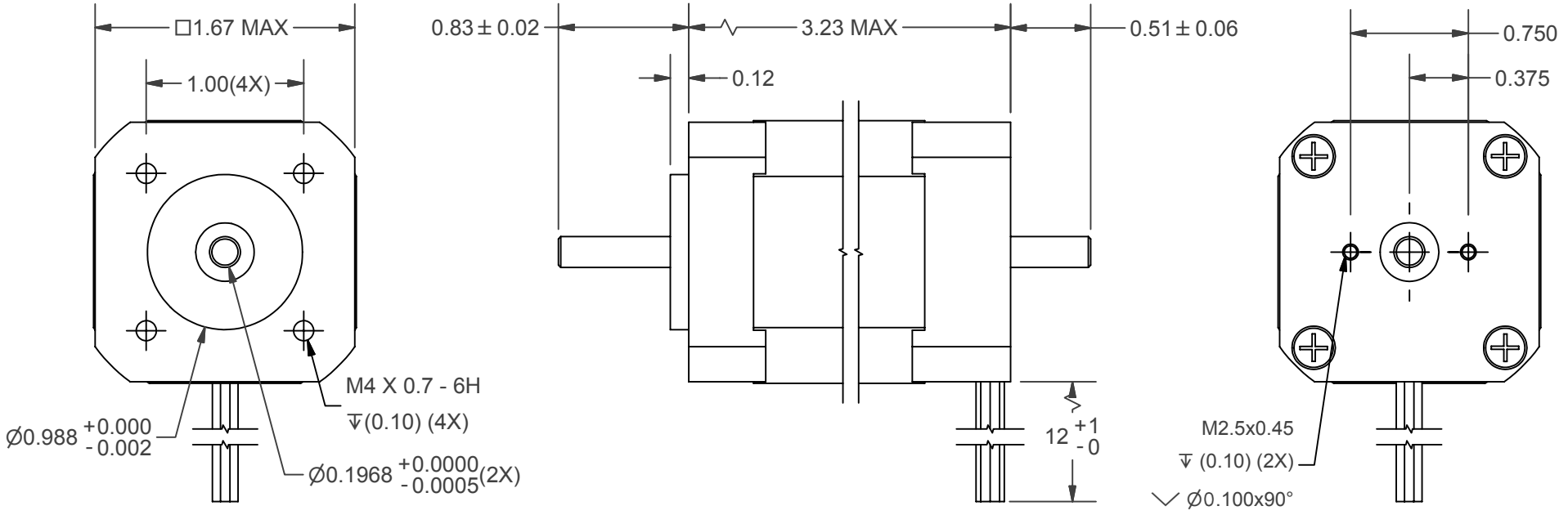
WIRING DIAGRAM

Hall Vcc	Hall A	Hall B	Hall C	GND	Phase A	Phase B	Phase C
RED/WHT	BLUE	GREEN	WHITE	BLK/WHT	YELLOW	RED	BLACK

UL 1007 / 22AWG

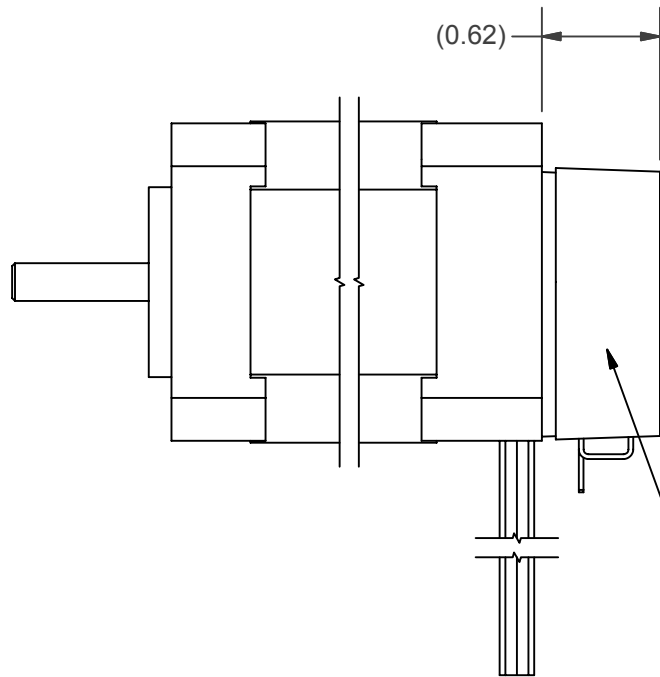
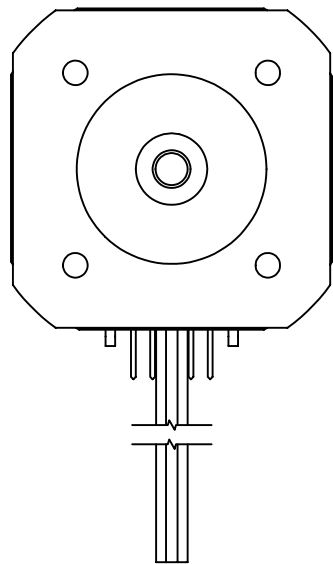
REVISION HISTORY				
ECN	REV	DATE	DESCRIPTION	INIT
23621	A	04/07/2011	ORIGINAL	TL

- ALL MATERIALS MUST BE ROHS COMPLIANT  
 - ROHS C.O.C. REQUIRED FOR EACH SHIPMENT

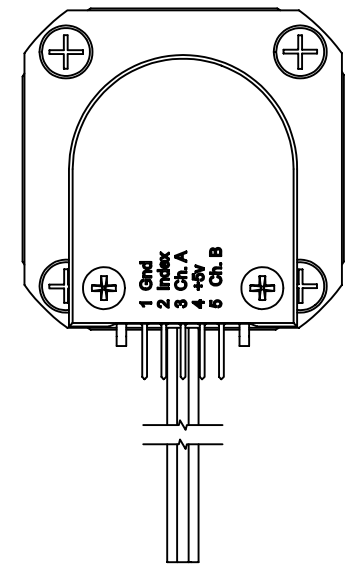


NUMBER OF ROTOR POLES	8
RATED VOLTAGE	24 V
LINE TO LINE RESIST.	(0.5) Ohm
LINE TO LINE INDUCT.	0.75 mH
RATED TORQUE	26.2 oz-in
RATED SPEED	4000 RPM
TORQUE CONSTANT	4.32 oz-in/A
INSULATION CLASS	B

<p><b>LIN ENGINEERING</b> Step Motor Specialists www.linengineering.com</p> <p>The information herein is the property of Lin Engineering. No portion of this data shall be released, disclosed, used, or duplicated for any purposes without the written consent of Lin Engineering.</p>	<p>(QA) IDENTIFIES FEATURE(S) THAT REQUIRE SPECIAL QUALITY ATTENTION</p> <p>Unless Otherwise Specified                  Dimensions Are In:                  Inches [mm]                  Tolerances Are:                  Angles ±1°                  Chamfer ±5°                  Deburr All Edges 0.005" MAX</p> <table border="1"> <thead> <tr> <th>Inches</th> <th>mm</th> </tr> </thead> <tbody> <tr> <td>.xx ± .01</td> <td>.x ± 0.25</td> </tr> <tr> <td>.xxx ± .005</td> <td>.xx ± 0.13</td> </tr> <tr> <td>.xxxx ± .0005</td> <td>.xxx ± 0.013</td> </tr> </tbody> </table>	Inches	mm	.xx ± .01	.x ± 0.25	.xxx ± .005	.xx ± 0.13	.xxxx ± .0005	.xxx ± 0.013	<p>THIRD ANGLE PROJECTION</p>	<p>TITLE <b>BLDC MOTOR OUTLINE</b></p>	
		Inches	mm									
		.xx ± .01	.x ± 0.25									
		.xxx ± .005	.xx ± 0.13									
.xxxx ± .0005	.xxx ± 0.013											
<p>APPROVALS</p> <p>DRWN: TONY LEE</p> <p>CHKD:</p>	<p>DATE</p> <p>4/7/2011</p> <p>APRV:</p>	<p>MOTOR NUMBER <b>BL17B32-02D-05RO</b></p>										
		<p>MATERIAL <b>001-07696</b></p>										
		<p>SIZE <b>A</b></p> <p>SCALE <b>1:1</b></p>	<p>DRAWING NO. <b>001-09025</b></p> <p>DO NOT SCALE DRAWING</p>	<p>SHEET <b>1 OF 2</b></p>								



**ENCODER**  
 LIN # 061-00037  
 (U.S. DIGITAL #  
 E2 TYPE  
 200 CPR  
 WITH "I" OPTION)



**LIN ENGINEERING**  
 Step Motor Specialists  
 www.linengineering.com

The information herein is the property of Lin Engineering.  
 No portion of this data shall be released, disclosed, used,  
 or duplicated for any purposes without the written consent  
 of Lin Engineering.

Ⓞ IDENTIFIES FEATURE(S) THAT REQUIRE SPECIAL QUALITY ATTENTION

Unless Otherwise Specified  
 Dimensions Are In:  
 Inches [mm]  
 Tolerances Are:  
 Angles ±1°  
 Chamfer ±5°  
 Deburr All Edges 0.005" MAX

Inches	mm
.xx ± .01	.x ± 0.25
.xxx ± .005	.xx ± 0.13
.xxxx ± .0005	.xxx ± 0.013

**APPROVALS**

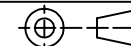
DRWN: TONY LEE

CHKD:

**DATE**

4/7/2011

THIRD ANGLE PROJECTION



TITLE

**BLDC MOTOR OUTLINE**

MOTOR NUMBER

**BL17B32-02D-05RO**

MATERIAL

**001-07696**

SIZE A

DRAWING NO.

**001-09025**

SCALE 1 : 1

DO NOT SCALE DRAWING

SHEET

2 OF 2