

Bridge Rectifier

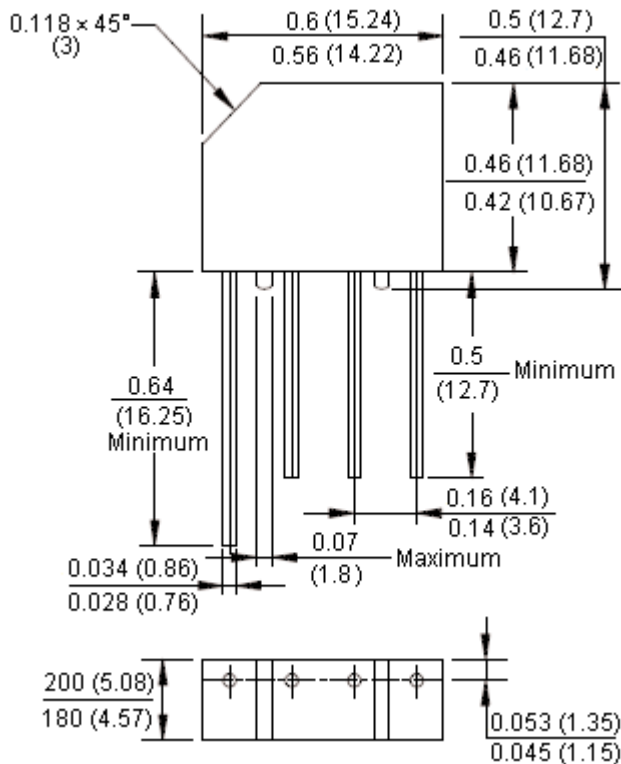


Features:

- Glass Passivated.
- Surge overload rating -60 amperes peak.
- Ideal for printed circuit board.
- Mounting position : Any.

Reverse Voltage - 600 V
Forward Current - 2 Amperes

KBP



Dimensions : Inches (Millimetres)

Bridge Rectifier



Maximum Ratings and Electrical Characteristics

Rating at 25°C ambient temperature unless otherwise specified.

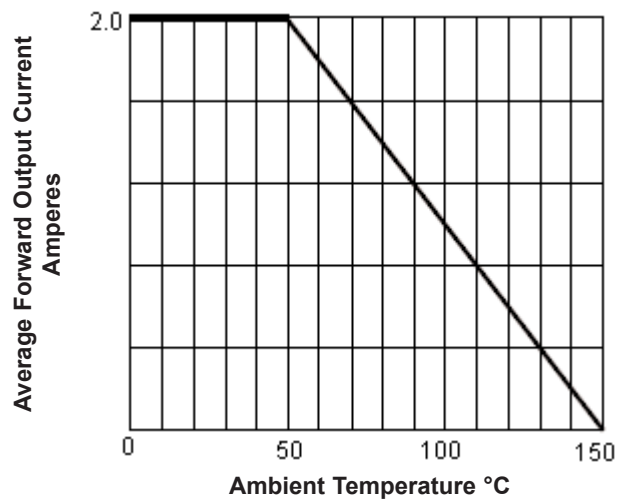
Resistive or inductive load, 60 Hz.

For capacitive load, derate current by 20%.

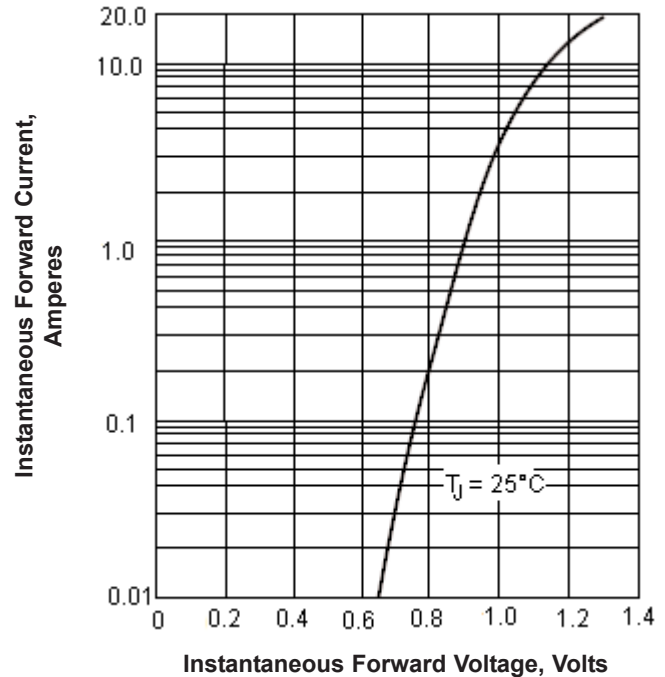
Characteristics	Symbol	KBP206G	Units
Maximum Recurrent Peak Reverse Voltage	V_{RRM}	600	V
Maximum RMS Bridge Input Voltage	V_{RMS}	420	
Maximum DC Blocking Voltage	V_{DC}	600	
Maximum Average Forward Rectified Output Current at $T_A = 50^\circ\text{C}$	$I_{(AV)}$	2	A
Peak Forward Surge Current, 8.3 ms Single Half Sine-wave Super Imposed on Rated Load	I_{FSM}	60	
Maximum Forward Voltage Drop Per Bridge Element at 2 A Peak	V_F	1.1	V
Maximum Reverse Current at Rated DC Blocking Voltage Per Element	I_R	10	μA
Maximum Reverse Current at Rated DC Blocking Voltage Per Element at $T_J = 100^\circ\text{C}$		1	mA
Operating Temperature Range	T_J	-55 to +150	$^\circ\text{C}$
Storage Temperature Range	T_{STG}		

Rating and Characteristic Curves

Derating Curve Output Rectified Current

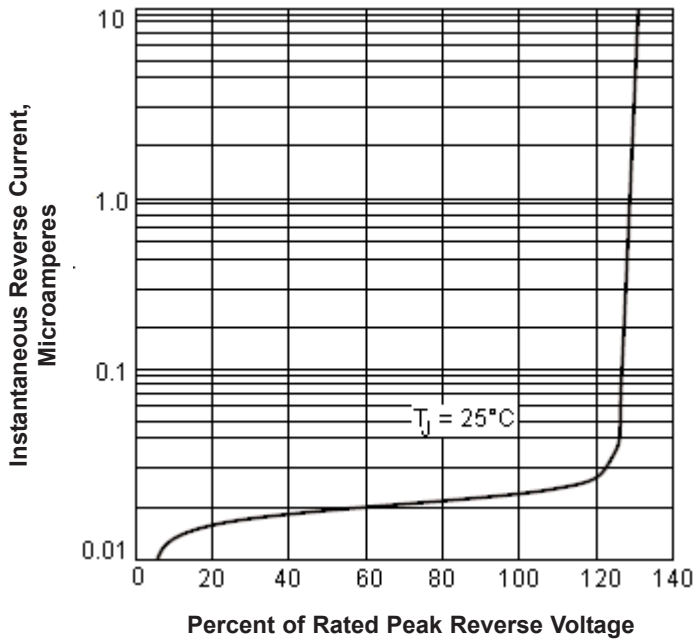


Typical Forward Characteristics

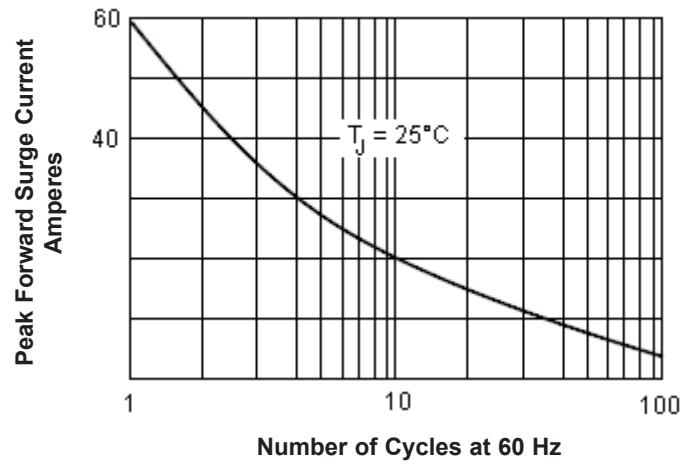


Rating and Characteristic Curves

Typical Reverse Characteristics



Maximum Forward Surge Current



Important Notice : This data sheet and its contents (the "Information") belong to the members of the Premier Farnell group of companies (the "Group") or are licensed to it. No licence is granted for the use of it other than for information purposes in connection with the products to which it relates. No licence of any intellectual property rights is granted. The Information is subject to change without notice and replaces all data sheets previously supplied. The Information supplied is believed to be accurate but the Group assumes no responsibility for its accuracy or completeness, any error in or omission from it or for any use made of it. Users of this data sheet should check for themselves the Information and the suitability of the products for their purpose and not make any assumptions based on information included or omitted. Liability for loss or damage resulting from any reliance on the Information or use of it (including liability resulting from negligence or where the Group was aware of the possibility of such loss or damage arising) is excluded. This will not operate to limit or restrict the Group's liability for death or personal injury resulting from its negligence. Multicomp is the registered trademark of the Group. © Premier Farnell plc 2011.