

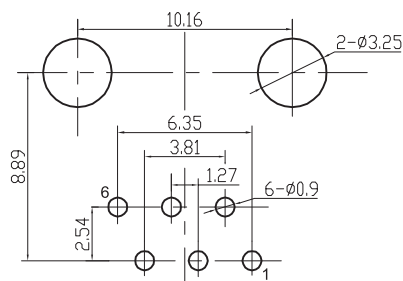
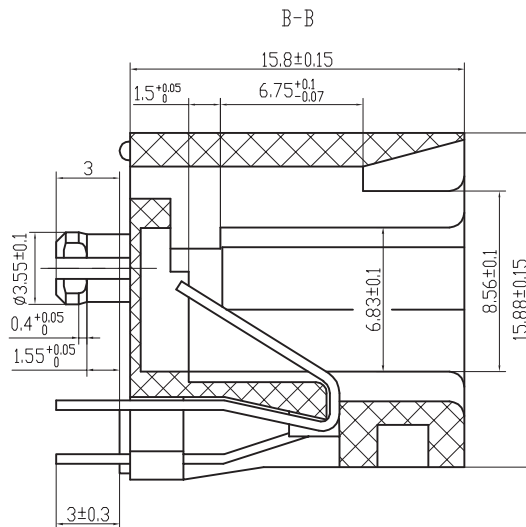
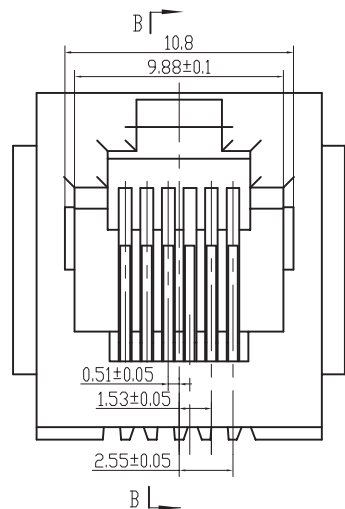
1

2

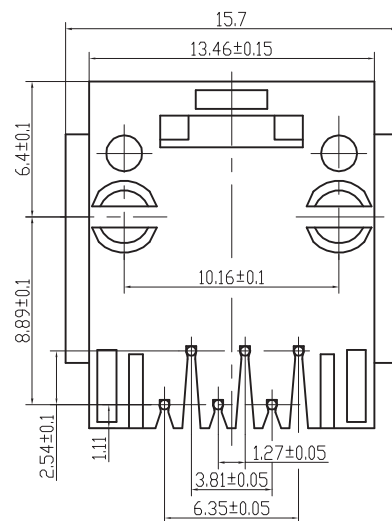
3

4

5



PCB LAYOUT - COMPONENT VIEW
TOLERANCES ±0.05



TECHNICAL CHARACTERISTICS

MATERIAL
 INSULATOR MATERIAL: GLASS FILLED PBT
 COLOUR: BLACK
 FLAMMABILITY RATING UL94-V0
 CONTACT MATERIAL: COPPER ALLOY
 CONTACT TYPE: STAMPED
 CONTACT PLATING: SELECTIVE GOLD
 QUALITY CLASS: 500 MATING CYCLES

ENVIRONMENTAL
 OPERATING TEMPERATURE: -25 °C UP TO 85 °C
 COMPLIANCE: LEAD FREE AND ROHS

ELECTRICAL
 CURRENT RATING: 1.5 A
 WORKING VOLTAGE: 120 VAC
 INSULATION RESISTANCE: >500 MOHM
 DIELECTRIC WITHSTANDING VOLTAGE: 1 000 VAC/MN
 CONTACT RESISTANCE: 20 mOHM MAX

STANDARD
 CERTIFIED: E324776 / MODEL NUMBER 615-V1

SOLDERING
 REFLOW PROCESS ONLY

PACKAGING
 TRAY

RoHS Compliant

G			
F	08-JUL-11	DIMENSION	GG
E	07-OCT-09	DRAW & UL STD	JP
D	02-JUN-09	INSULATION RES.	JP
C	15-MAY-08	SOLDER. PROCESS	CH
B	05-DEC-07	MODIFICATIONS	EC
A	21-NOV-07	PDF	EC
REV	DATE	FILE	BY

PROJECTION:	
APPROVAL: RJ	

GENERAL TOLERANCE
.X = +/- 0.2
.XX = +/- 0.15
UNIT: MM
SCALE:
SHEET: 1/1
DRAW:



DESCRIPTION: VERTICAL PLASTIC 6P6C MODULAR JACK WITH EARS
WERI PART NO: 615 006 138 521

SIZE
A4