

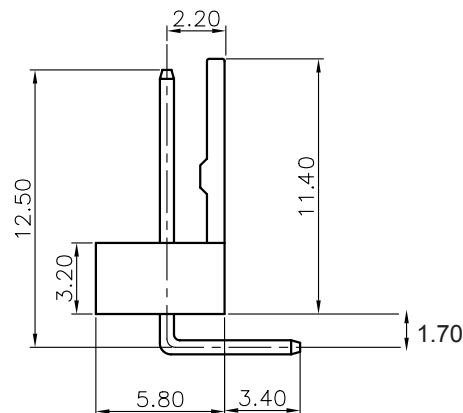
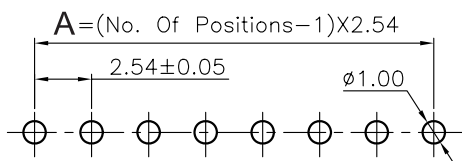
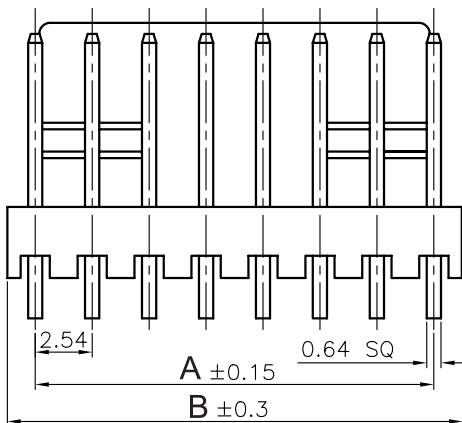
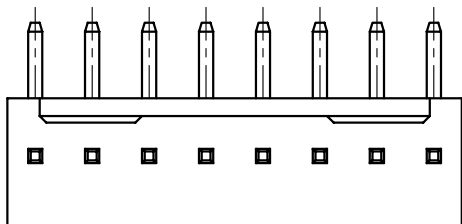
1

2

3

4

5



#### TECHNICAL CHARACTERISTICS

**MATERIAL**  
 INSULATOR: NYLON 66  
 MAX TEMPERATURE: 220°C 10 S  
 COLOR: BEIGE  
 CONTACT MATERIAL: COPPER ALLOY  
 CONTACT TYPE: STAMPED  
 CONTACT PLATING: TIN  
 QUALITY CLASS: 25 MATING CYCLES  
 PITCH: 2.54MM

**ENVIRONMENTAL**  
 OPERATING TEMPERATURE: -40 UP TO 105°C  
 FLAMABILITY RATING: UL94-V0  
 COMPLIANCE: LEAD FREE AND ROHS

**ELECTRICAL**  
 CURRENT RATING: 3A  
 WORKING VOLTAGE: 250V AC  
 INSULATOR RESISTANCE: >1000 MOHM  
 DIELECTRIC WITHSTANDING VOLTAGE: 1000V AC/MN  
 CONTACT RESISTANCE: 20 mOHM MAX

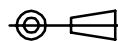
**SOLDERING**  
 SOLDER TEMP.: JEDEC LEAD FREE WAVE SOLDERING

**PACKAGING**  
 BAG

**DIMENSION**  
 A = 2.54 x (NB. PIN - 1)  
 B = 2.54 x (NB. PIN) + 0.04

RoHS Compliant

PROJECTION:



GENERAL TOLERANCE

.X = +/- 0.2

.XX = +/- 0.15



APPROVAL: RJ

UNIT: MM

SCALE:

SHEET: 1/1

DRAW: PEARL

DESCRIPTION: 2.54MM MALE LEFT ANGLED LOCKING HEADER

WERI PART NO: 6190 xx 11021

SIZE

**A4**

G			
F			
E			
D			
C	24-APR-07	ADD DIMENSION	EC
B	30-JAN-07	DRAW	EC
A	28-FEB-06	PDF	JP
REV	DATE	FILE	BY