

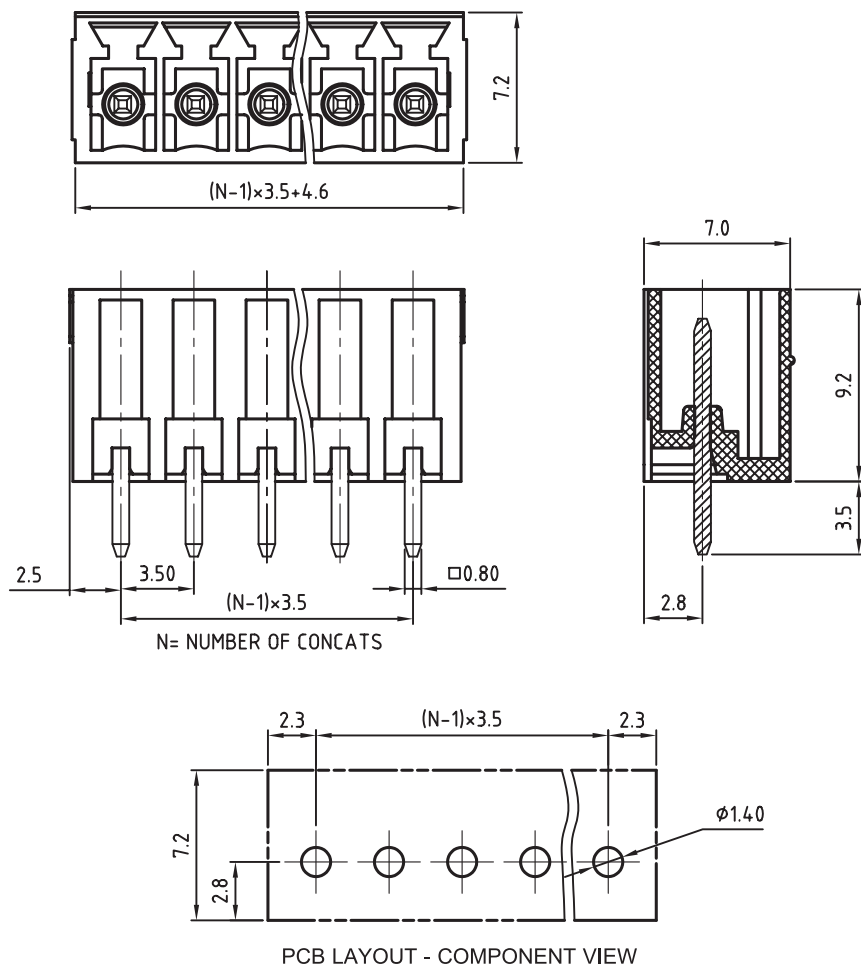
1

2

3

4

5



### TECHNICAL CHARACTERISTICS

#### MATERIAL

INSULATOR: PA 66  
 FLAMABILITY RATING: UL94-V0  
 COLOR: GREEN  
 CONTACT: BRASS  
 SOLDER TAIL PLATING: TIN

#### ENVIRONMENTAL

OPERATING TEMPERATURE: -40 UP TO 105°C  
 COMPLIANCE: LEAD FREE AND ROHS

#### ELECTRICAL

	cULus	VDE
CURRENT RATING:	10A	10.5A
WORKING VOLTAGE:	300VAC	300VAC
WITHSTANDING VOLTAGE:	1.6KV	2.5KV
CONTACT RESISTANCE: □	20 mOhm max	

#### MECHANICAL

PITCH: 3.5MM

SOLDERING: WAVE PROCESS ONLY

PACKAGING: BOX

SERIE 3211

CERTIFICATION



RoHS Compliant

G				PROJECTION: 	GENERAL TOLERANCE .X = +/- 0.2 .XX = +/- 0.15		
F							
E							
D							
C							
B				APPROVAL: RJ	UNIT: MM	DESCRIPTION: SERIE 3211 - 3.50MM VERTICAL PCB HEADER WR-TBL	SIZE
A	31-OCT-08	PDF	JP		SCALE:	WERI PART NO: 691 321 100 0xx	A4
REV	DATE	FILE	BY		SHEET: 1/1		
					DRAW: MARVIN		