

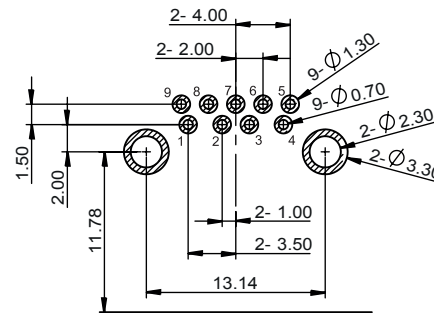
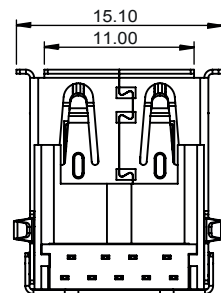
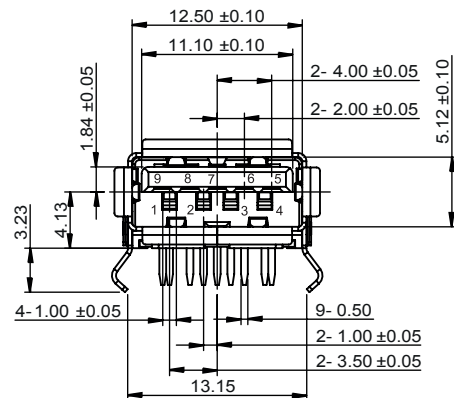
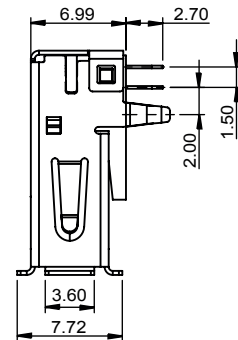
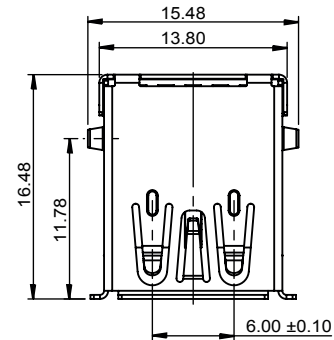
1

2

3

4

5



CONNECTOR FRONT EDGE

PCB LAYOUT - COMPONENT VIEW

TECHNICAL CHARACTERISTICS

MATERIAL

INSULATOR: LCP

FLAMABILITY RATING: UL94-V0

COLOR: BLUE

CONTACT MATERIAL: PHOSPHORE BRONZE

CONTACT TYPE: STAMPED

CONTACT PLATING: UNDERPLATE 1.27 to 2.54 μm NiCONTACT AREA 0.76 μm GoldSOLDER TAIL AREA 2.54 to 5.08 μm Matt Tin

SHIELDING: BRASS MATT TIN PLATED

ENVIRONMENTAL

OPERATING TEMPERATURE: -20 up to +85°C

COMPLIANCE: RoHS & LEAD FREE AS PER DIRECTIVE 2002/95/EC

HALOGEN FREE COMPLIANT AS PER IEC 61249-2-21

ELECTRICAL

CURRENT RATING:

- PIN 1 & PIN 4 (Vbus & corresponding ground PIN) 1.8A Max

- OTHER PINS 0.25 A min

WORKING VOLTAGE: 30Vac

DIELECTRIC WITHSTANDING VOLTAGE: 100Vac/min

INSULATION RESISTANCE: > 100M Ω

CONTACT RESISTANCE:

- PIN 1 & PIN 4: 30m Ω Max- OTHER PINS: 50m Ω MaxIMPEDANCE: 90 Ω +/- 15 Ω @ 50ps RISE TIME (20~80%)

STANDARD

UL CERTIFIED: E323964 / MODEL NUMBER 692121030100

MECHANICAL

INSERTION FORCE: 35.0N Max

EXTRACTION FORCE: 10.0N min

QUALITY CLASS: 5000 MATING CYCLES

SOLDERING

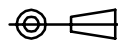
WAVE & REFLOW PROCESS AS PER JEDEC J-STD-020D

PACKAGING

TAPE & REEL

RoHS Compliant

PROJECTION:



GENERAL TOLERANCE

.X = +/- 0.2

.XX = +/- 0.15



APPROVAL: RJ

UNIT: MM

SCALE:

SHEET: 1/2

DRAW: JOE

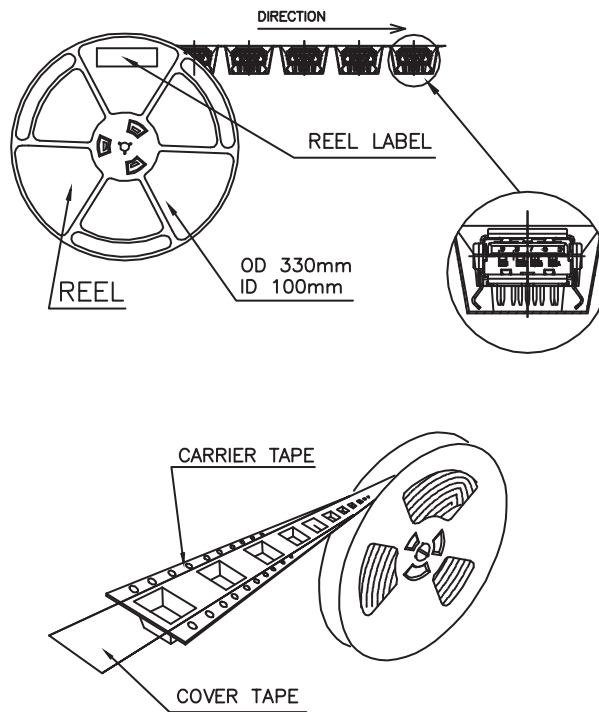
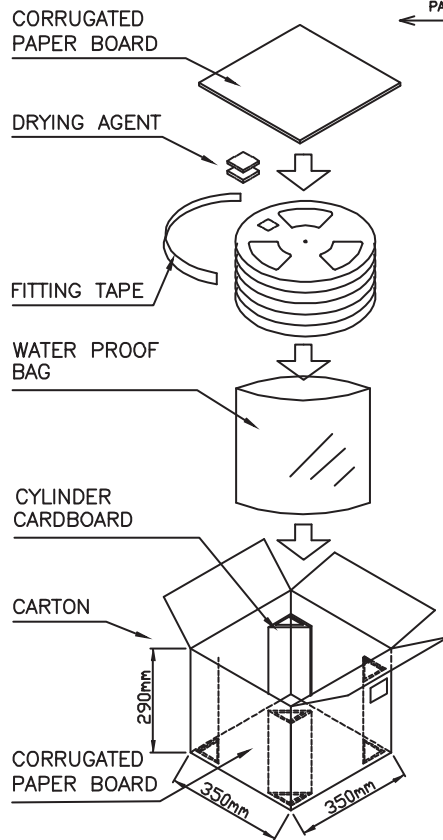
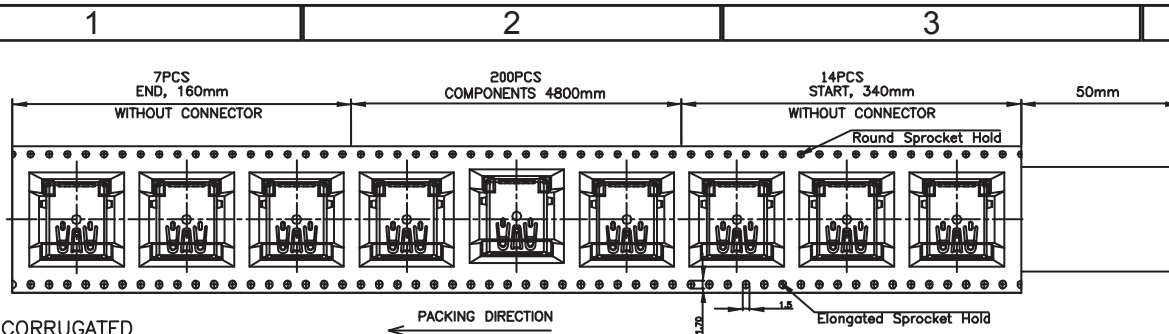
DESCRIPTION: USB 3.0 HORIZONTAL TYPE A

WERI PART NO: 692 121 030 100

SIZE

A4

G			
F			
E			
D			
C			
B	10-MAY-11	UL	GG
A	04-AUG-10	PDF	JP
REV	DATE	FILE	BY



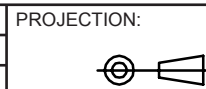
NOTES

1. MATERIALS: PS
2. 1000PCS/CARTON
3. RoHS
All Material in According With The Rohs Environment Related Substances List Controlled.
4. PART NO.

Packing SPEC

1. Fill in a corrugated paper board
2. Put 5 reels of products into water proof bag, with 2pcs of drying agent.
3. Make all reel label side up.
4. The upper formation puts corrugated
5. As the indication sticking the label at the certain place of carton.

RoHS Compliant			
G			
F			
E			
D			
C			
B			
A			
REV	DATE	FILE	BY



APPROVAL: RJ

GENERAL TOLERANCE
 .X = ± 0.2
 .XX = ± 0.15



DESCRIPTION: USB 3.0 HORIZONTAL TYPE A

WERI PART NO: 692 121 030 100

SIZE
A4