



## TYPICAL APPLICATIONS

For more than 20 years PIHER has been manufacturing rotary switches for all types of applications. Cost-effective and highly customisable products with our huge experience in adapting them to customers' needs when necessary. We have the best solution for all your rotary switching needs. Our products are widely used in Automotive, Consumer and Multimedia applications due to their excellent performance and quality/price ratio. ISO TS1649, ISO14001, ISO 9001, Lead-Free compliance and hundreds of satisfied customers are the best presentation card. Here we are presenting to you our Rotary Switches based on our PT series. We strongly recommend you to visit [www.piher.net](http://www.piher.net) for our S15 and T-21 rotary switches and our full product range that includes Potentiometers, Encoders and Position Sensors.

✓  
Fully  
Customisable



✓  
Cost  
Effective

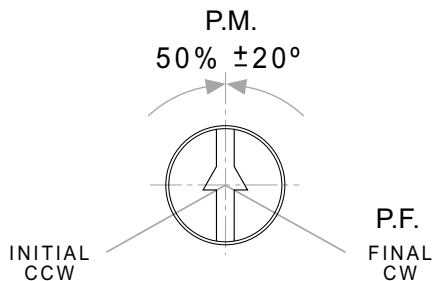
✓  
Easy  
Design

## GENERAL SPECIFICATIONS

Power Rating: 24V / 15mA  
 ON position resistance:  $\leq 5 \Omega$   
 Insulation Resistance:  $\geq 30 M\Omega$

## 10mm Rotary Switch (based on PT-10)

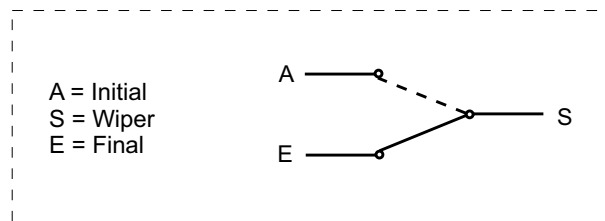
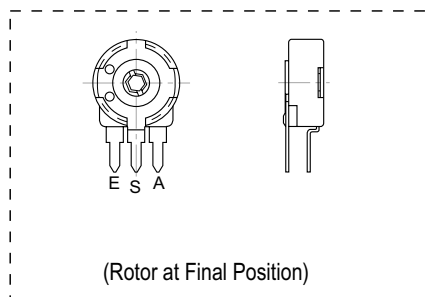
Positioning (Std. Position = CCW)



## FEATURES

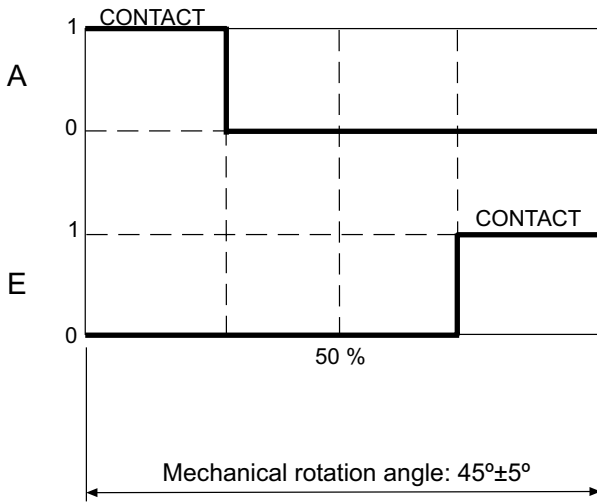
- Carbon resistive element.
- Dust proof enclosure.
- Polyester substrate.
- Also upon request:
  - Wiper positioned at 50% or fully clockwise
  - Supplied in magazines for automatic insertion
  - Long life model PT-10...E (10,000 cycles)
  - Self extinguishable plastic (VL94V0)
  - Cost-effective steel leads
- Pb-Free according to ELV 2000/53/EC / RoHS 2002/95/EC

## STANDARD CONFIGURATIONS

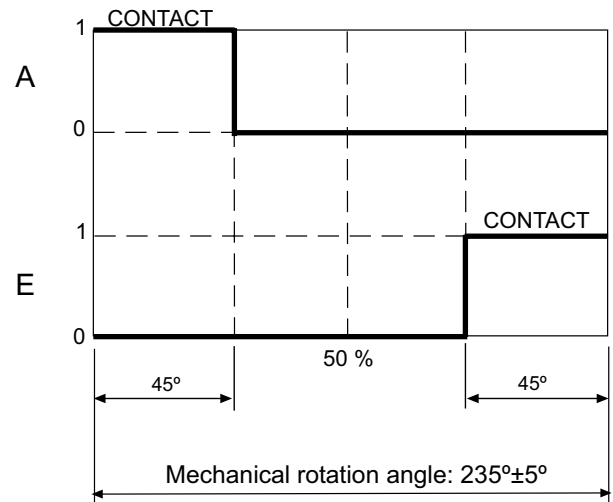


NOTE: The information contained here should be used for reference purposes only. For further information please contact your nearest PIHER supplier at [www.piher.net](http://www.piher.net)

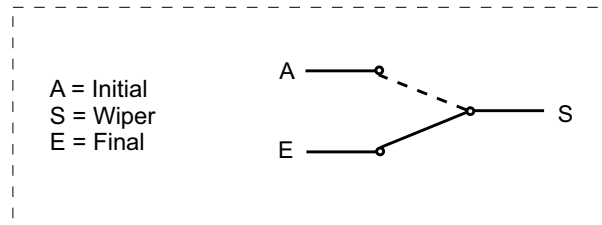
## STANDARD CONFIGURATIONS



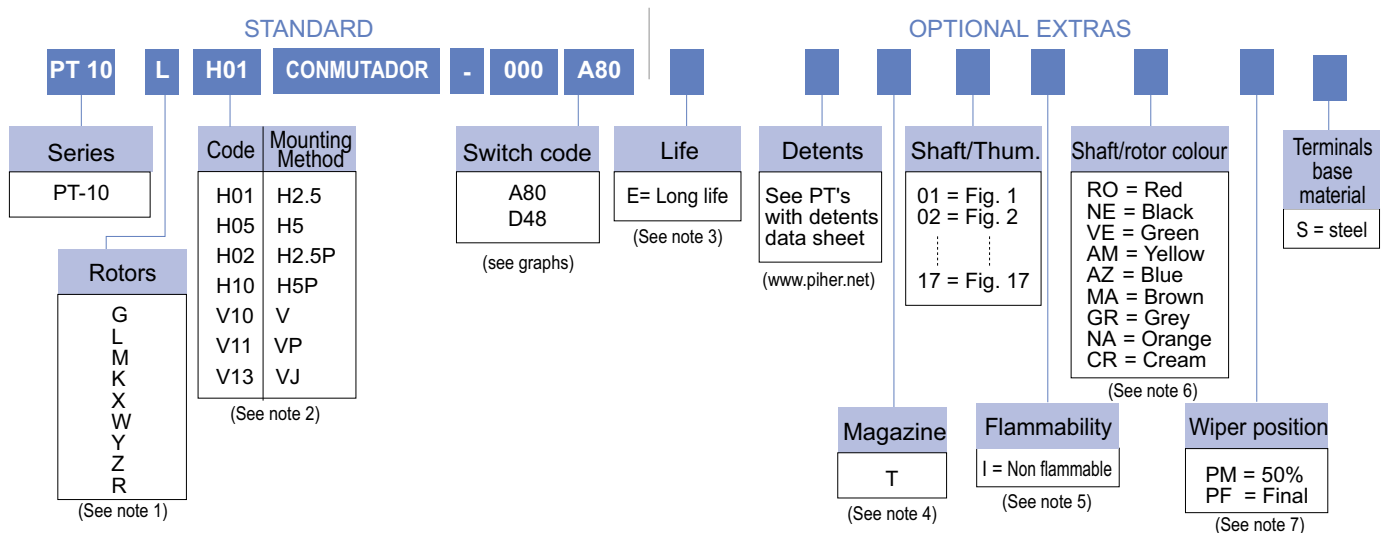
D48 Switch code (Housing colour: green)



A80 Switch code



## HOW TO ORDER



### NOTES:

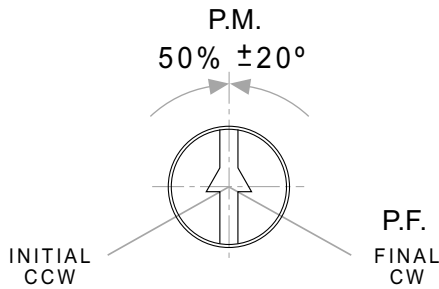
- "Z" adjustment only available on "H" versions. Rotor "G" only available in purple (shaft/rotor colour "VI").
- Terminals styles: "P" & "J" are crimped terminals. V=Vertical adjust; H=Horizontal Adjust
- Life
  - A80... 50 cycles
  - D48... Standard: 500 cycles; Long Life: 10000 cycles
- Magazines: not available with the H10, V05 and V13 models, nor with adjustment types X, W, Y, Z. Magazines also not available with D48 switch code H versions.
- Non flammable: housing, rotor and shaft.
- Colour shaft/rotor:
  - Potentiometer without shaft: only rotor
  - Potentiometer with shaft: only shaft
  - Cream colour only available in standard plastic.
- PM not available for D48

Please see PT-10 datasheet for further information ([www.piher.net](http://www.piher.net))

NOTE: The information contained here should be used for reference purposes only.

## 10mm Rotary Switch (based on PTC-10)

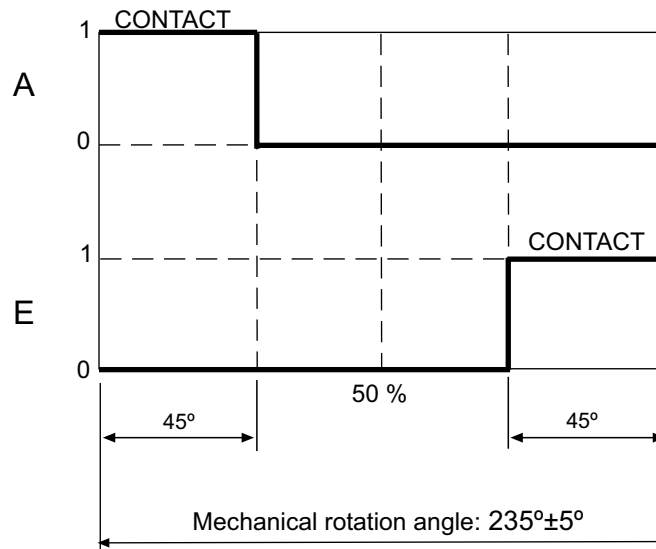
Positioning (Std. Position = CCW)



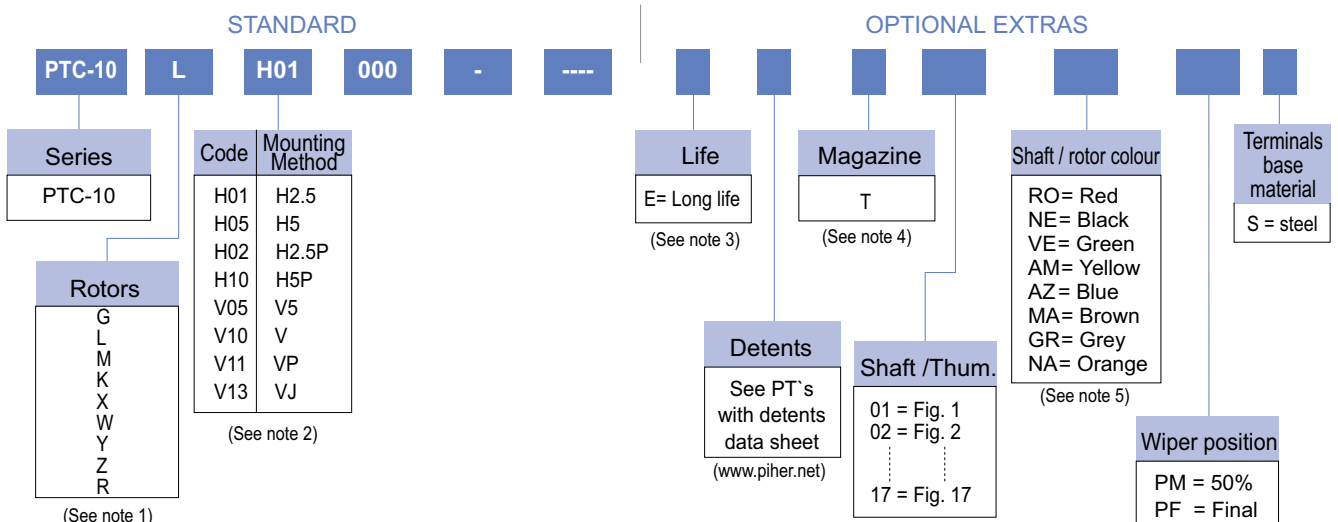
## FEATURES

- Cermet resistive element.
- Dust proof enclosure.
- Plastic material according to UL94V-0
- Alumina substrate.
- Also upon request:
  - Wiper positioned at 50% or fully clockwise.
  - Supplied in magazines for automatic insertion.
  - Long life model for low cost control pot. applications
  - Customisation according to customer's needs.
  - Mechanical detents
  - Cost-effective steel leads
- Pb-Free according to ELV 2000/53/EC / RoHS 2002/95/EC

## STANDARD CONFIGURATION



## HOW TO ORDER



### NOTES:

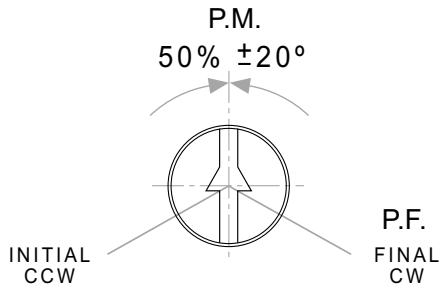
- "Z" adjustment only available on "H" versions. Rotor "G" only available in purple (shaft/rotor colour "VI").
- Terminal styles: "P" & "J" are crimped terminals. V=Vertical adjust; H=Horizontal Adjust
- Life
  - Standard 100 cycles
  - Long life 10000 cycles
- Magazines: not available with the H10, V05 and V13 models, nor with adjustment types X, W, Y, Z.  
Non flammable: housing, rotor and shaft.
- Colour shaft/rotor:
  - Potentiometer without shaft: only rotor
  - Potentiometer with shaft: only shaft

Please see PTC-10 datasheet for further information ([www.piher.net](http://www.piher.net))

NOTE: The information contained here should be used for reference purposes only.

## 15mm Rotary Switch (based on PTC-15)

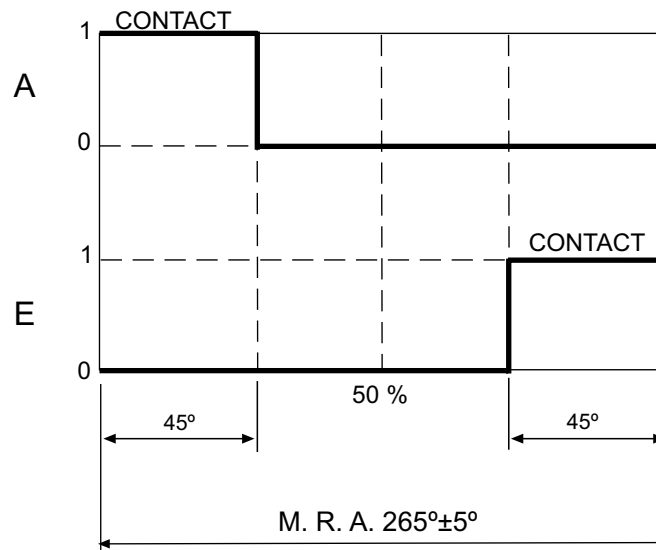
Positioning (Std. Position = CCW)



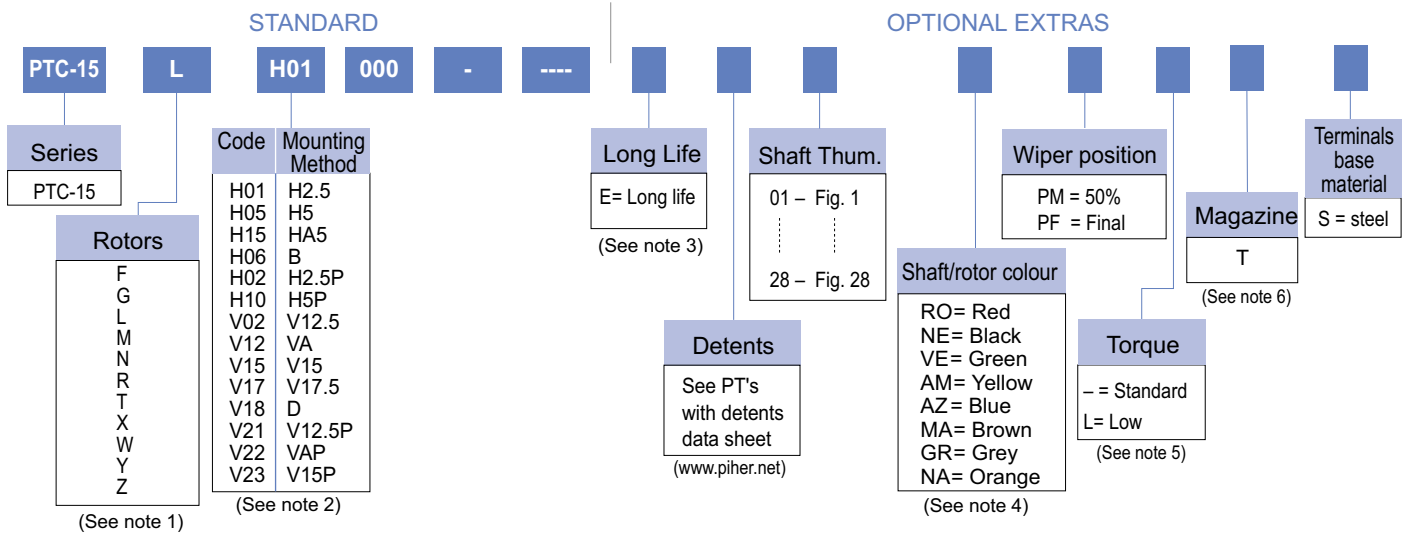
## FEATURES

- Cermet resistive element.
- Dust proof enclosure.
- Plastic material according to UL94V-0
- Alumina substrate.
- Also upon request:
  - Wiper positioned at 50% or fully clockwise.
  - Supplied in magazines for automatic insertion.
  - Long life model for low cost control pot. applications
  - Customisation according to customer's needs.
  - Mechanical detents
  - Cost-effective steel leads
- Pb-Free according to ELV 2000/53/EC / RoHS 2002/95/EC

## STANDARD CONFIGURATION



## HOW TO ORDER



### NOTES:

- (1) "Z" adjustment only available on "H" versions. Standard colour for the "T" rotor: Orange
- (2) Terminals styles: "P" are crimped terminals. V=Vertical adjust; H=Horizontal Adjust
- (3) Life
  - Standard 100 cycles
  - Long life 10000 cycles
- (4) Colour shaft/rotor:
  - Potentiometer without shaft: only rotor
  - Potentiometer with shaft: only shaft
- (5) Low torque:  $\leq 1.5\text{Ncm}$ . No detent option available for low torque models.
- (6) Magazines (35 pcs/mag): available for VA (12.5), V (12.5), V (12.5P), V (15), V15 (P) and H models. For more information please contact your nearest Piher supplier.

Please see PTC-15 datasheet for further information ([www.piher.net](http://www.piher.net))

NOTE: The information contained here should be used for reference purposes only.