



CORRLOK® SYSTEM
Nylon Conduit and Connectors



Conduit



Connectors



Accessories



electri-flex company

CORRLOK

Liquatite by Electri-Flex has earned a global reputation for manufacturing innovation and product quality. The pages that follow detail the Corrllok System.

The Corrllok System is comprised of four types of flexible corrugated nylon conduits — CL, CLR, CLL and CLFR — designed for a wide range of applications. They are produced by an extrusion/corrugation process resulting in a flexible, seamless corrugated tube. The internal corrugations are well-rounded to facilitate easier wire pulling.

The Corrllok System provides a very lightweight, liquidtight, flexible raceway alternative that's easy to work with and stands up to tough environments. Because the specially formulated nylons used are non-toxic and self-extinguishing, Corrllok is a proven choice in confined areas where fire hazards are a concern.

The Corrllok accessories provide designers and electricians with many options for configuring and installing the raceway system. These accessories allow for a quick, simplified method of assembly and are perfectly suited for pre-wiring of harnesses.

The low-profile fittings are great to use in tight areas and are molded from high-impact UL V-O Nylon. The one-piece design is easier than ever to assemble and re-use, using a simple removal sleeve. The conduit seats securely into place with the push of your hand.

Distinctive Characteristics Include:

- Fast installation
- UL recognized
- Liquidtight equivalent to IP 65 (NEMA 4) and IP 68 (NEMA 6)
- Fitting material passes ASTM E662, ATSM E1662 and SMP 800-C
- Halogen-free
- Flame-resistant
- High impact and crush strength
- Resistant to many chemicals
- Sunlight-resistant
- Extreme temperature range
- High pullout strength
- RoHS and WEEE compliant

Applications:

- Passenger rail vehicle wiring
- Industrial control equipment
- Machine tools
- Textile machinery
- Molding/extrusion equipment
- Fiber optics
- Medical equipment
- Robotics
- Wire harnesses



The one-piece, snap-on connector can be easily removed by using the supplied yellow removal sleeve shown here.

TYPE CL

Standard Weight



TYPE CL: Provides the best mechanical strength and protection of the Corlok conduits.

MATERIAL: Halogen-Free Nylon 6

WORKING TEMPERATURE: -40°C to 105°C, intermitting to 150°C

STANDARD COLOR: Black

Other colors available upon request.

UL Recognized Component, 600 Volt, 105°C, Vertical Flame, Liquidtight, UV and Impact Tested

Type	U.S. Trade Size	MM	NW	Nominal Dimensions		Min. Inside Bend Radius Static	Weight lbs./100ft.	Standard Footage	
				Inside	Outside			Length	Part #
CL-140	1/4"	10	7	0.226" (6.5mm)	0.394" (10.0mm)	0.8"	2.0	100	79001
CL-516	5/16"	12	10	0.374" (9.5mm)	0.512" (13.0mm)	1.0"	2.5	100	79071
CL-10	3/8"	16	12	0.452" (11.5mm)	0.622" (15.8mm)	1.5"	5.0	100	79081
CL-11	1/2"	20	17	0.633" (16.1mm)	0.826" (21.0mm)	1.7"	7.0	100	79181
CL-12	3/4"	25	23	0.846" (22.5mm)	1.122" (28.5mm)	2.0"	9.5	100	79281
CL-13	1"	32	29	1.063" (27.0mm)	1.358" (34.5mm)	2.5"	13.0	50	79381
CL-14	1-1/4"	40	36	1.380" (35.0mm)	1.673" (42.5mm)	2.8"	16.0	50	79481
CL-15	1-1/2"	50	48	1.810" (46.0mm)	2.145" (54.5mm)	3.3"	19.0	50	79581

TYPE CLR

Robotics



TYPE CLR: Very lightweight and extremely flexible. Ideally suited for robotic equipment. This tubing is intended for applications requiring continuous, repeated flexing motion.

MATERIAL: Halogen-Free Nylon 12

WORKING TEMPERATURE: -50°C to 95°C, intermitting to 150°C

STANDARD COLOR: Black

Other colors available upon request.

UL Recognized Component, 600 Volt, 105°C, Vertical Flame, Liquidtight, UV and Impact Tested

Type	U.S. Trade Size	MM	NW	Nominal Dimensions		Min. Inside Bend Radius		Weight lbs./100ft.	Standard Footage	
				Inside	Outside	Static	Dynamic		Length	Part #
CLR-140	1/4"	10	7	0.226" (6.5mm)	0.394" (10.0mm)	0.5"	1.0"	1.6	100	790019
CLR-516	5/16"	12	10	0.378" (9.6mm)	0.512" (13.0mm)	0.8"	2.0"	1.8	100	790719
CLR-10	3/8"	16	12	0.460" (11.7mm)	0.622" (15.8mm)	1.0"	2.6"	3.0	100	790819
CLR-11	1/2"	20	17	0.653" (16.6mm)	0.826" (21.0mm)	1.2"	3.5"	4.4	100	791819
CLR-12	3/4"	25	23	0.854" (21.7mm)	1.122" (28.5mm)	1.6"	4.0"	6.7	100	792819
CLR-13	1"	32	29	1.078" (27.4mm)	1.358" (34.5mm)	2.0"	5.0"	9.0	50	793819
CLR-14	1-1/4"	40	36	1.410" (35.8mm)	1.673" (42.5mm)	2.4"	7.0"	10.8	50	794819
CLR-15	1-1/2"	50	48	1.840" (46.7mm)	2.145" (54.5mm)	2.8"	8.0"	15.4	50	795819
CLR-17	2-1/2"	70	70	2.645" (67.0mm)	3.150" (80.0mm)	6.0"	14.0"	31.6	-	796869
CLR-350	3-1/2"	95	95	3.600" (91.5mm)	4.170" (106mm)	7.0"	18.0"	51.8	-	798869

TYPE CLL

Light Weight



TYPE CLL: This lightweight version provides many of the same qualities of Type CL, but with improved flexibility.

MATERIAL: Halogen-Free Nylon 6

WORKING TEMPERATURE: -40°C to 105°C, intermitting to 150°C

STANDARD COLOR: Black
Other colors available upon request.

UL Recognized Component, 600 Volt, 105°C, Vertical Flame, Liquidtight, UV and Impact Tested

Type	U.S. Trade Size	MM	NW	Nominal Dimensions		Min. Inside Bend Radius Static	Weight lbs./100ft.	Standard Footage	
				Inside	Outside			Length	Part #
CLL-10	3/8"	16	12	0.452" (11.5mm)	0.622" (15.8mm)	0.7"	3.4	100	790816
CLL-11	1/2"	20	17	0.633" (16.1mm)	0.826" (21.0mm)	0.8"	4.4	100	791816
CLL-12	3/4"	25	23	0.865" (22.0mm)	1.122" (28.5mm)	1.2"	6.7	100	792816
CLL-13	1"	32	29	1.087" (27.6mm)	1.358" (34.5mm)	1.4"	9.1	50	793816
CLL-14	1-1/4"	40	36	1.420" (36.0mm)	1.673" (42.5mm)	2.4"	11.0	50	794816
CLL-15	1-1/2"	50	48	1.850" (47.0mm)	2.145" (54.5mm)	2.8"	16.0	50	795816
CLL-17	2-1/2"	70	70	2.645" (67.0mm)	3.150" (80.0mm)	6.3"	32.0	—	79686
CLL-350	3-1/2"	95	95	3.600" (91.5mm)	4.170" (106mm)	8.3"	52.0	—	79886

TYPE CLFR

Low Fire Hazard



Type CLFR: Made from a specially modified nylon material with excellent self-extinguishing characteristics and minimal smoke and toxic gas generation. CLFR is an excellent choice for confined inhabited areas such as public transit/rail vehicles, subway stations, tunnels, etc.

MATERIAL: Halogen Free Nylon 6 UL94 VO

WORKING TEMPERATURE: -40°C to 105°C

STANDARD COLOR: Black
Other colors available upon request.

UL Recognized Component, 600 Volt, 105°C, Vertical Flame, Liquidtight, UV and Impact Tested

TESTS INCLUDE: UL 94 Vertical Burn
Flame Spread Index ASTM E 162
Smoke Generation ASTM E 662
Toxic Gas Generation
Bombardier SMP 800-C

Type	U.S. Trade Size	MM	NW	Nominal Dimensions		Min. Inside Bend Radius Static	Weight lbs./100ft.	Standard Footage	
				Inside	Outside			Length	Part #
CLFR-140	1/4"	10	7	0.226" (6.5mm)	0.394" (10.0mm)	0.8"	2.0	100	84901
CLFR-516	5/16"	12	10	0.370" (9.4mm)	0.512" (13.0mm)	1.0"	2.5	100	84911
CLFR-10	3/8"	16	12	0.460" (11.7mm)	0.622" (15.8mm)	1.5"	5.0	100	85001
CLFR-11	1/2"	20	17	0.653" (16.6mm)	0.826" (21.0mm)	1.7"	7.0	100	85011
CLFR-12	3/4"	25	23	0.854" (21.7mm)	1.122" (28.5mm)	2.0"	9.5	100	85021
CLFR-13	1"	32	29	1.090" (27.7mm)	1.358" (34.5mm)	2.5"	13.0	50	85031
CLFR-14	1-1/4"	40	36	1.381" (35.1mm)	1.673" (42.5mm)	2.8"	16.0	50	85041
CLFR-15	1-1/2"	50	48	1.835" (46.6mm)	2.145" (54.5mm)	3.3"	19.0	50	85051

Combustion & Flammability Properties	TEST	VALUE
Vertical Burn — Material (No Flaming Drips)	UL94	V-0 Rating
Vertical Burn — Conduit (No Flaming Drips)	UL360	Pass
Flame Spread Index (No Flaming Drips)	ASTM E162	1.0
Smoke Generation — Flaming	ASTM E662 (NFPA-258)	Ds 35@1.5 Min. (Ds 85@4.0 Min.)
Smoke Generation — Non-Flaming	ASTM E662 (NFPA-258)	Ds 5@1.5 Min. (Ds 24@4.0 Min.)
Toxic Gas Generation BOMBARDIER	SMP 800-C	Pass

Test data based on controlled laboratory conditions and does not necessarily reflect performance in actual fire conditions. Additional product information available upon request.

STRAIGHT NEW

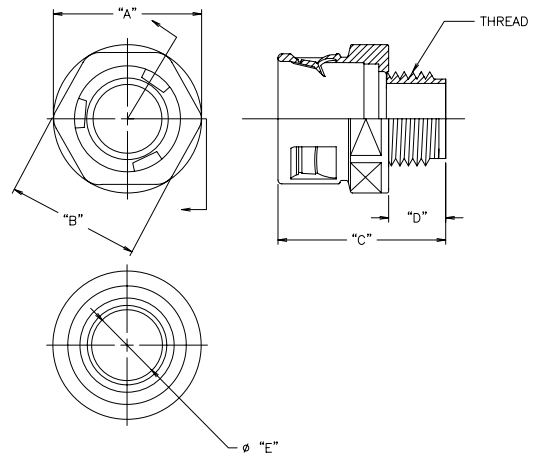


NPT Threaded Fittings IP 65

Cat #	U.S. Trade Size	MM	NW	Thread Size	Unit Pack	Part #	Standard Carton	IP 68					
								Part #	Cat #	Unit Pack	Part #	Standard Carton	Part #
CF-140	1/4"	10	7	PG-7	1	90199	—	—	CFS-140	1	90820	—	—
CF-516	5/16"	12	10	PG-9	1	90170	—	—	CFS-516	1	90822	—	—
CF-10	3/8"	16	12	1/2" NPT	25	90201	100	90202	CFS-10	25	90831	100	90832
CF-11	1/2"	20	17	1/2" NPT	25	90221	100	90222	CFS-11	25	90841	100	90842
CF-12	3/4"	25	23	3/4" NPT	25	90241	50	90242	CFS-12	25	90851	50	90852
CF-13	1"	32	29	1" NPT	10	90261	30	90262	CFS-13	10	90861	30	90862
CF-14	1-1/4"	40	36	1-1/4" NPT	5	90281	20	90282	CFS-14	5	90871	20	90872
CF-15	1-1/2"	50	48	1-1/2" NPT	2	90301	10	90302	CFS-15	2	90881	10	90882

Approx. Dimensions

Cat #	U.S. Trade Size	Thread Size	A	B	C	D	E
CF-140	1/4"	PG-7	—	—	—	—	—
CF-516	5/16"	PG-9	—	—	—	—	—
CF-10	3/8"	1/2" NPT	.985	.815	1.380	.500	.495
CF-11	1/2"	1/2" NPT	1.155	1.060	1.510	.500	.585
CF-12	3/4"	3/4" NPT	1.525	1.410	1.680	.540	.745
CF-13	1"	1" NPT	1.730	1.565	1.780	.540	1.030
CF-14	1-1/4"	1-1/4" NPT	2.070	1.975	2.225	.730	1.325
CF-15	1-1/2"	1-1/2" NPT	2.675	2.565	2.350	.700	1.545



IP 65 is the equivalent to NEMA 4 and can withstand spraying water from entering.
 IP 68 is the equivalent to NEMA 6 and can withstand water from entering during submersion.

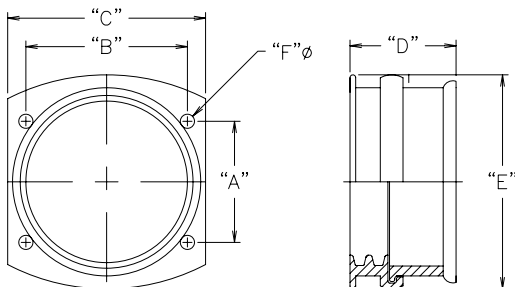
FLANGED

Jumbo Straight



Flanged connectors do not have threaded ends, but are intended to be mounted as a bulk head device. Part numbers include clamps. Seals are provided for liquidtight connections.

Cat #	U.S. Trade Size	MM	NW	Unit Pack	Part #	Nominal Dimensions					
						A	B	C	D	E	F
CFF-17	2-1/2"	70	70	1	90315	2.362	3.149	3-7/8"	2-1/16"	4-3/16"	17/64"
CFF-350	3-1/2"	95	95	1	90325	2.913	4.251	4-31/32"	2-1/16"	5-7/32"	17/64"



90° ANGLE **NEW**

45° angle connector also available



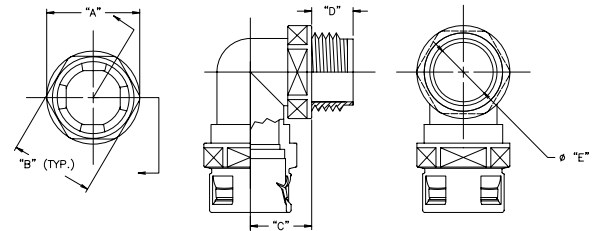
NPT Threaded Fittings **IP 65**

IP 68

Cat #	U.S. Trade Size	MM	NW	Thread Size	Unit Pack	Part #	Standard Carton	Part #	Cat #	Unit Pack	Part #	Standard Carton	Part #
CF-140A	1/4"	10	7	PG-7	1	90195	—	—	CFS-140A	1	90821	—	—
CF-516A	5/16"	12	10	PG-9	1	90180	—	—	CFS-516A	1	90823	—	—
CF-20	3/8"	16	12	1/2" NPT	25	90211	100	90212	CFS-20	25	90901	100	90902
CF-21	1/2"	20	17	1/2" NPT	25	90231	50	90232	CFS-21	25	90911	50	90912
CF-22	3/4"	25	23	3/4" NPT	10	90251	30	90252	CFS-22	10	90921	30	90922
CF-23	1"	32	29	1" NPT	10	90271	20	90272	CFS-23	10	90931	20	90932
CF-24	1-1/4"	40	36	1-1/4" NPT	5	90291	10	90292	CFS-24	5	90941	10	90942
CF-25	1-1/2"	50	48	1-1/2" NPT	2	90311	10	90312	CFS-25	2	90951	10	90952

Approx. Dimensions

Cat #	U.S. Trade Size	Thread Size	A	B	C	D	E
CF-140A	1/4"	PG-7	—	—	—	—	—
CF-516A	5/16"	PG-9	.775	.735	.665	.360	.410
CF-20	3/8"	1/2" NPT	.920	.820	.750	.480	.560
CF-21	1/2"	1/2" NPT	1.160	1.065	.800	.510	.650
CF-22	3/4"	3/4" NPT	1.525	1.140	.970	.600	.820
CF-23	1"	1" NPT	1.730	1.570	1.180	.570	1.030
CF-24	1-1/4"	1-1/4" NPT	2.085	1.965	1.600	.690	1.390
CF-25	1-1/2"	1-1/2" NPT	2.680	2.575	1.940	.710	1.475



IP 65 is the equivalent to NEMA 4 and can withstand spraying water from entering.
IP 68 is the equivalent to NEMA 6 and can withstand water from entering during submersion.

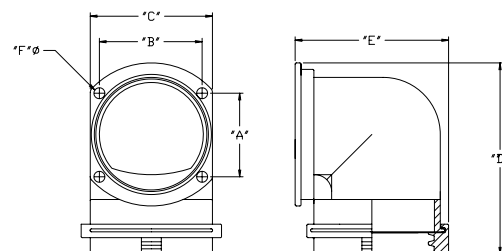


FLANGED

Jumbo 90° Angle

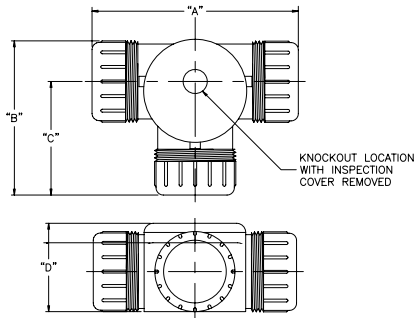
Flanged connectors do not have threaded ends, but are intended to be mounted as a bulk head device. Part numbers include clamps. Seals are provided for liquidtight connections.

Cat #	U.S. Trade Size	MM	NW	Unit Pack	Part #	Nominal Dimensions				Screw Req'd	
						A	B	C	D	E	F
CFF-27	2-1/2"	70	70	1	90320	2.362	3.149	3-25/32"	5-1/32"	4-11/32"	17/64"
CFF-350A	3-1/2"	95	95	1	90330	2.913	4.251	4-31/32"	6-17/32"	5-11/16"	17/64"





TYPE CTC T Connector



Cat #	U.S. Trade Size	MM	NW	Nominal Dimensions				Part #
				A	B	C	D	
CTC-140	1/4" x 3	10	7	2-11/16"	1-31/32"	1-17/32"	1-1/16"	90514
CTC-516	5/16" x 3	12	10	2-11/16"	1-31/32"	1-17/32"	1-1/16"	90516
CTC-10	3/8" x 3	16	12	2-3/4"	2"	1-1/2"	1-7/32"	90517
CTC-11	1/2" x 3	20	17	3-5/32"	2-9/32"	1-11/16"	1-3/8"	90518
CTC-12	3/4" x 3	25	23	3-3/4"	2-13/16"	2-1/32"	1-11/16"	90519
CTC-13	1" x 3	32	29	4-5/16"	3-5/16"	2-13/32"	2"	90523

Y Connector and Parallel Splitters are available upon request. Please consult factory.

TYPE TR T Reducer

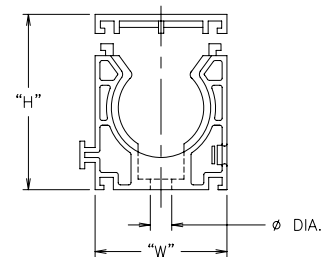
U.S. Trade	Reduce to	U.S. Trade	MM (NW)	Reduce to	MM (NW)	Cat #	Part #
5/16"	→	1/4"	12(10)	→	10(7)	TR-516-140	90670
3/8"	→	5/16"	16(12)	→	12(10)	TR-10-516	90672
1/2"	→	5/16"	20(17)	→	12(10)	TR-11-516	90673
1/2"	→	3/8"	20(17)	→	16(12)	TR-11-10	90674
3/4"	→	5/16"	25(23)	→	12(10)	TR-12-516	90675
3/4"	→	3/8"	25(23)	→	16(12)	TR-12-10	90676
3/4"	→	1/2"	25(23)	→	20(17)	TR-12-11	90678
1"	→	1/2"	32(29)	→	20(17)	TR-13-11	90679



TYPE MB Mounting Bracket



Cat #	W	H	ø Dia.	Part #
MB-140	1.024	1.161	0.18	90350
MB-516	1.024	1.161	0.22	90355
MB-10	1.024	1.181	0.22	90360
MB-11	1.181	1.437	0.25	90365
MB-12	1.496	1.752	0.25	90370
MB-13	1.831	1.969	0.25	90375
MB-14	2.264	2.362	0.25	90380
MB-15	2.697	2.835	0.25	90385



In addition to the standard components shown in this brochure, the Corrllok System also provides a variety of accessories for special applications:

- Metric and PG Threaded Connectors
- 45° Angle Connectors
- Flanged 90° Connectors
- Female Threaded Connectors
- Metal Threaded Connectors

Please consult factory by calling 630-529-2920, or visit www.electriflex.com for more details.



Family owned and operated since its inception and incorporation in 1955, Electri-Flex remains focused on the quality, service and partnership values that have resulted in its leadership position in the electrical industry. The company's innovations have included its premier Liquatite® line and other manufacturing patents, as well as numerous packaging improvements.

If you are seeking cost-effective, high-quality flexible conduit for any application, give us a call. Whatever your design challenge, we can provide a solution.



electri-flex company

222 West Central Avenue • Roselle, IL 60172-1994

Toll Free: (800) 323-6174 • (630) 529-2920 • Fax (630) 529-0482

Sales Department E-mail: sales@electriflex.com

Marketing Department E-mail: mktg@electriflex.com Technical Assistance E-mail: eng@electriflex.com

www.electriflex.com