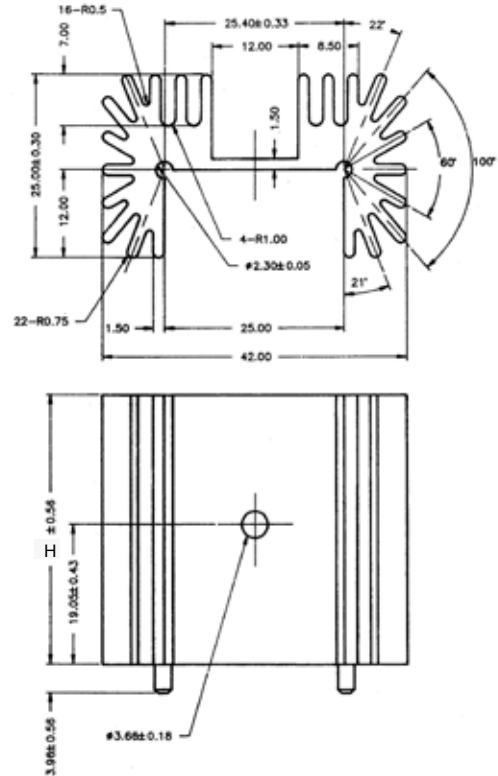
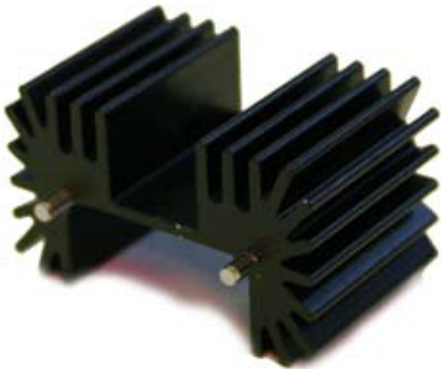


Heatsink Extruded

High power dissipation, vertical mounting extruded heatsink with solderable fixing pins and notched base. Pre-drilled for a single TO218/220/247 package.

Product Features:

- Choice of thermal resistance
- Low thermal resistance
- Solderable mounting pins
- Pre-drilled mounting holes
- Black anodize finish



| Mfg Part No: | Thermal Resistance: | Height (mm): | Device Mtg: |
|--------------|---------------------|--------------|---------------|
| MC33268 | 5.6°C/W | 25.4 | Mounting Hole |
| MC33269 | 4.4°C/W | 38.1 | Mounting Hole |
| MC33270 | 3.3°C/W | 50.8 | Mounting Hole |
| MC33271 | 2.7°C/W | 63.5 | Mounting Hole |