

Enclosed motor starters

Direct-on-line starters
Without thermal overload relay (1)



LE1-GBKO55U7

4



LE1-GBKO55U7A05

4.3



LE1-GBKS55U7

Direct-on-line starters Composite steel/plastic enclosure. Ingress protection: IP 65

Maximum current rating category	Maximum kW rating Utilisation category		Control supply	Reference	Weight
AC	AC3				
A	220/230 V	380/415 V	V		kg

Direct-on-line starters without disconnect switch

12	3	5.5	240 50/60 Hz	LE1-GBKO55U7	1.340
			415 50/60 Hz	LE1-GBKO55N7	1.340
25	5.5	11	240 50/60 Hz	LE1-GBT011U7	1.340
			415 50/60 Hz	LE1-GBT011N7	1.340

Direct-on-line starters with reset button only

12	3	5.5	240 50/60 Hz	LE1-GBKO55U7A05	1.330
			415 50/60 Hz	LE1-GBKO55N7A05	1.330
25	5.5	11	240 50/60 Hz	LE1-GBT011U7A05	1.330
			415 50/60 Hz	LE1-GBT011N7A05	1.330

Direct-on-line starters with disconnect switch

12	3	5.5	240 50/60 Hz	LE1-GBKS55U7	2.620
			415 50/60 Hz	LE1-GBKS55N7	2.620
25	5.5	11	240 50/60 Hz	LE1-GBT511U7	2.620
			415 50/60 Hz	LE1-GBT511N7	2.620

(1) Select thermal overload relay separately. See pages 2/46 and 2/112.

Enclosed motor starters

Direct-on-line reversing starters
Without thermal overload relay ⁽¹⁾



LE2-GBKO55U7



LE2-GBKS55U7

Direct-on-line reversing starters Composite steel/plastic enclosure. Ingress protection: IP 65

Maximum current rating category	Maximum kW rating Utilisation category	Control supply	Reference	Weight
AC	220/230 V 380/415 V			
A	kW kW	V		kg

Direct-on-line reversing starters without disconnect switch

12	3	5.5	240	LE2-GBKO55U7	2.620
			50/60 Hz		
			415	LE2-GBKO55N7	2.620
			50/60 Hz		

25	5.5	11	240	LE2-GBT011U7	2.620
			50/60 Hz		
			415	LE2-GBT011N7	2.620
			50/60 Hz		

Direct-on-line reversing starters with disconnect switch

12	3	5.5	240	LE2-GBKS55U7	3.820
			50/60 Hz		
			415	LE2-GBKS55N7	3.820
			50/60 Hz		

25	5.5	11	240	LE2-GBTS11U7	3.820
			50/60 Hz		
			415	LE2-GBTS11N7	3.820
			50/60 Hz		

(1) Select thermal overload relay separately. See pages 2/46 and 2/112.

4

4.3

Enclosed motor starters

Star-delta starters
Without thermal overload relay (1)
With mechanical/electrical interlock



LE3-GBTO11U7

Automatic star-delta starters Composite steel/plastic enclosure. Ingress protection: IP 65

Maximum kW rating			Control supply	Reference	Weight
Utilisation category					
AC3	380 V	415 V	440 V		
kW	kW	kW	V		kg

Automatic (2) star-delta starters without disconnect switch

11	11	11	240	LE3-GBTO11U7	3.820
			50/60 Hz		
18.5	22	22	240	LE3-GBTO22U7	3.820
			50/60 Hz		
11	11	11	415	LE3-GBTO11N7	3.820
			50/60 Hz		
18.5	22	22	415	LE3-GBTO22N7	3.820
			50/60 Hz		

Automatic (2) star-delta starters with disconnect switch

11	11	11	240	LE3-GBTS11U7	3.820
			50/60 Hz		
18.5	22	22	240	LE3-GBTS22U7	3.820
			50/60 Hz		
11	11	11	415	LE3-GBTS11N7	3.820
			50/60 Hz		
18.5	22	22	415	LE3-GBTS22N7	3.820
			50/60 Hz		



LE3-GBTS11U7

4.3



LE3-D405U7A06A64

Automatic (2) star-delta starters without disconnect switch Sheet steel enclosure. Ingress protection: IP 55

25	30	30	240 50/60 Hz	LE3-D325U7A06A64	5.160
			415 50/60 Hz	LE3-D325N7A06A64	5.160
37	37	37	240 50/60 Hz	LE3-D405U7A06A64	8.160
			415 50/60 Hz	LE3-D405N7A06A64	8.160
55	59	59	240 50/60 Hz	LE3-D505U7A06A64	8.160
			415 50/60 Hz	LE3-D505N7A06A64	8.160
75	75	75	240 50/60 Hz	LE3-D805U7A06A64	14.000
			415 50/60 Hz	LE3-D805N7A06A64	14.000

(1) Select thermal overload relay separately. See page 2/112.

Overload relay should be selected for setting at 0.58 x Motor full load current.

(2) The star-delta timer imposes a delay of 40 ms ± 15 ms on the delta contactor at the moment of changeover to ensure that the star contactor has sufficient breaking time.

Enclosed heating and lighting contactors

Enclosed contactors
Without thermal overload relay
Without pushbutton controls



LE1-GBTHL25U7

Heating and lighting contactors Composite steel/plastic enclosure. Ingress protection: IP 65

Maximum continuously rated operational current	Poles	Control supply	Reference	Weight
A		V		kg

Heating and lighting contactors

25	3 + Neutral	240 50/60 Hz	LE1-GBTHL25U7	1.340
		415 50/60 Hz	LE1-GBTHL25N7	1.340
32	3 + Neutral	240 50/60 Hz	LE1-GBTHL32U7	1.340
		415 50/60 Hz	LE1-GBTHL32N7	1.340
50	3 + Neutral	240 50/60 Hz	LE1-GBTHL50U7	2.620
		415 50/60 Hz	LE1-GBTHL50N7	2.620
80	3 + Neutral	240 50/60 Hz	LE1-GBTHL80U7	2.620
		415 50/60 Hz	LE1-GBTHL80N7	2.620

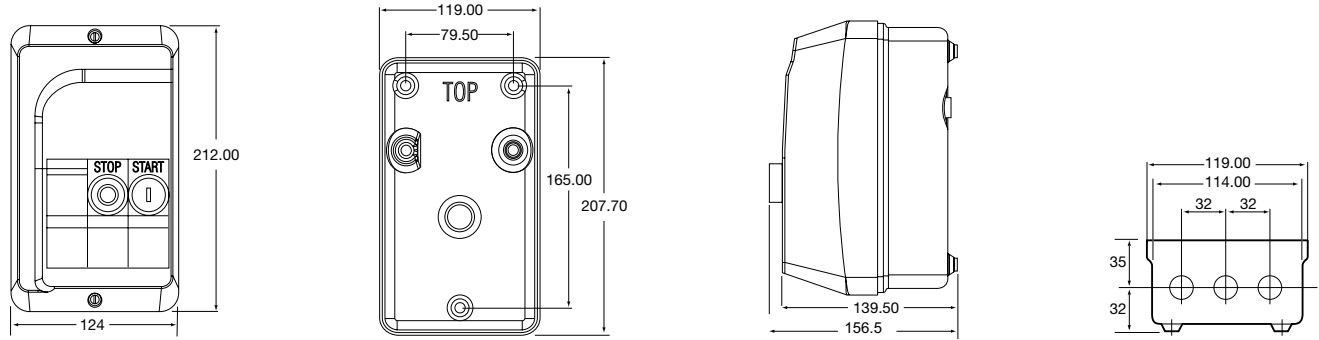
4

4.3

Accessories

Description	Sold in lots of	Reference	Weight kg
Pushbutton blanking plate	2	LE1-BL1	0.002
Disconnect switch blanking plate	2	LE1-BL2	0.002

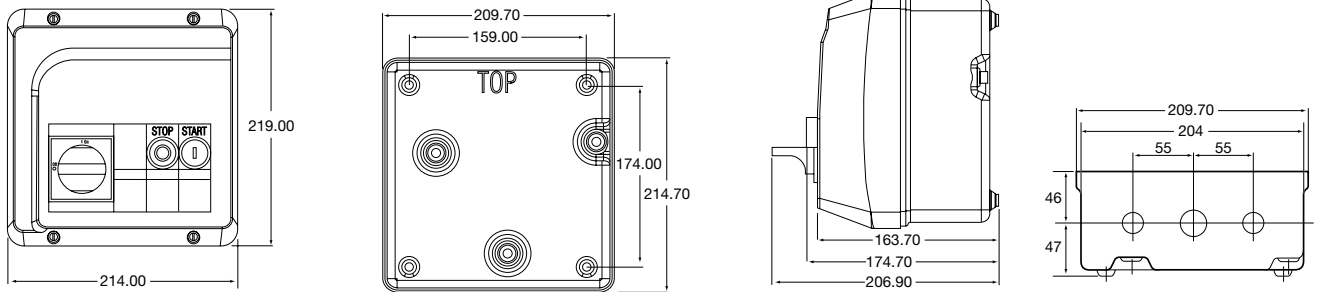
Direct-on-line starters without disconnect switch
LE1-GB●O●●●7 (A05)



3 x 20 mm ISO conduit entries top and bottom.

Direct-on-line starters with disconnect switch
LE1-GB●S●●●7
Reversing D.O.L. starters without disconnect switch
LE2-GB●O●●●7

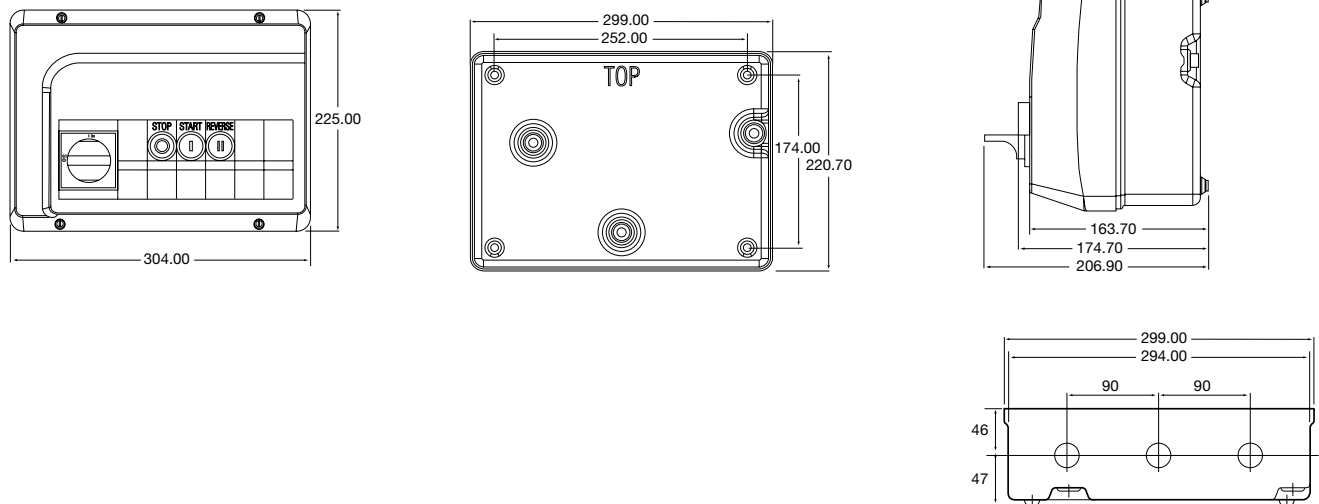
4



2 x 20 mm and 1 x 25 mm ISO conduit entries top and bottom.

4.3

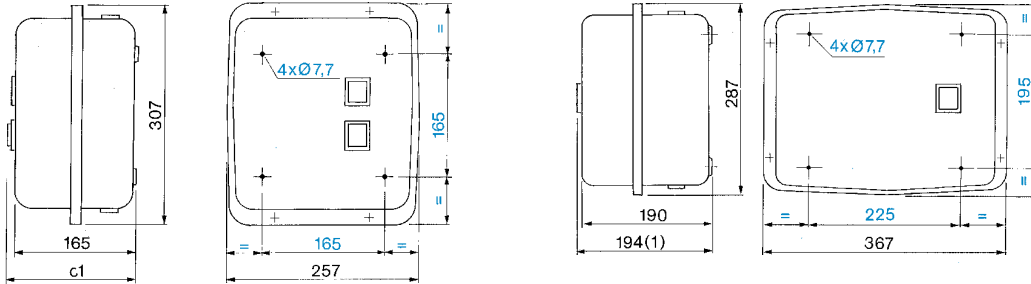
Reversing D.O.L. starters with disconnect switch
LE2-GB●S●●●7
Star-delta starters without disconnect switch
LE3-GBT●●●●7



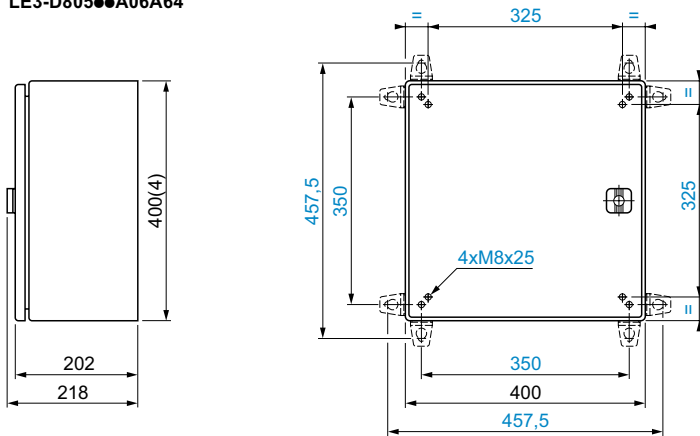
2 x 25 mm and 1 x 20 mm ISO conduit entries top and bottom.

Star-delta starters without disconnect switch, 30 - 75 kW
LE3-D325●●●A06A64

LE3-D405●●●A06A64, D505●●●A06A64



LE3-D805●●●A06A64



Knock-outs or blanking plugs for cable glands
(gland size in mm, P = Plastic)

Type of enclosure	At top	At bottom
LE3-D325	1 × 21 P	1 × 21 P, 2 × 13 P and 2 × 16 P
LE3-D405	1 × 29 P	1 × 29 P, 2 × 13 P and 2 × 21 P
LE3-D505	1 × 36 P	1 × 36 P, 2 × 13 P and 2 × 29 P
LE3-D805	1 × 36 P	2 × 13 P and 3 × 36 P

4

4.3